

**City of San Antonio**  
**Finance Department - Purchasing Division**  
**Local Preference Program Identification Form**

The City of San Antonio Local Preference Program, described in the San Antonio City Code Chapter 2, Article XII, establishes a local preference for specific contracting categories. Each time a bidder or respondent submits a bid for a solicitation, this Local Preference Program Identification Form must be completed and turned in with the solicitation response in order to be identified as a City Business and receive the preference described below. The City will not rely on Local Preference Program Identification Forms submitted with prior or contemporaneous bids or proposals.

The Local Preference Program allows the City to grant a preference to a business meeting the definition of *City Business* in the award of the following types of contracts, when selection is made based on price alone:

- Personal Property (Goods / Supplies): The local bidder's price must be within 3% of the price of the lowest non-local bidder for contracts of \$50,000 or more;
- Non-professional Services: The local bidder's price must be within 3% of the price of the lowest non-local bidder for contracts of \$50,000 to under \$500,000;
- Construction Services: The local bidder's price must be within 3% of the price of the lowest non-local bidder for contracts of \$50,000 to under \$100,000, excluding contracts awarded using alternative delivery methods.

The Local Preference Program also allows the award of additional points, when multiple evaluation criteria are used in the award of professional service contracts, where the selection process is not governed by statute and in revenue generating and concession contracts. A business meeting the definition of *City Business* stated below may be awarded 10 points for being headquartered within the city, or 5 points for having a local office within the city.

Moreover, the program recognizes joint venture agreements and allows for apportioning of points based upon the percentage of ownership of joint ventures by *City Businesses* responding to solicitations for which discretionary points are applied. For solicitations where selection is made based on price alone, all members of a joint venture must be *City Businesses* for the preference to be applied.

**City Business** is defined as a business headquartered within the incorporated San Antonio city limits for one year or more OR one that meets the following conditions:

- Has an established place of business for one year or more in the incorporated limits of the City:
  - (a) from which at least 100 of its employees OR at least 20% of its total full-time, part-time and contract employees are regularly based; and
  - (b) from which a substantial role in the business' performance of a commercially useful function or a substantial part of its operations is conducted by those employees.

A location utilized solely as a post office box, mail drop or telephone message center or any similar combination, with no other substantial work function, is not a *City Business*.

For the purposes of this program, Headquartered is defined as the place where a business entity's officers direct, control, and coordinate the entity's activities.

NOTE: Bidders / Respondents are required to submit documentation to substantiate that the requirements of a *City Business* have been met. Examples of documentation may include, but are not limited to the following:

1. Existence of local headquarters or office: For corporations, Texas Comptroller's listing of names/addresses of officers and directors. For partnerships, partnership agreement and any documents identifying the current managing partners and their current work addresses
2. Evidence of local headquarters or office in existence for one year or more: Utility bills, real property lease agreements, equipment leases, personal property taxes, real property taxes
3. Evidence of number of employees: Organizational charts, payroll records by location

OR  
ORIGINAL

**City of San Antonio**  
**Finance Department - Purchasing Division**  
**Local Preference Program Identification Form**

CITY RESERVES THE RIGHT TO REQUEST ADDITIONAL INFORMATION TO VALIDATE BIDDERS'/RESPONDENTS' DESIGNATION AS A CITY BUSINESS.

COMPLETE THE FOLLOWING FORM AND SUBMIT WITH YOUR RESPONSE EVEN IF YOU ARE NOT SEEKING A LOCAL PREFERENCE. THE BIDDER / RESPONDENT MUST COMPLETE THE FOLLOWING FORM TO BE IDENTIFIED AS A CITY BUSINESS. IF BIDDER / RESPONDENT IS SUBMITTING AS A JOINT VENTURE, EACH CITY BUSINESS THAT IS A MEMBER OF THE JOINT VENTURE MUST COMPLETE AND SIGN THIS FORM.

**PROVIDE THE FOLLOWING INFORMATION IF BIDDER/ RESPONDENT IS SUBMITTING AS PART OF A JOINT VENTURE.** Joint Venture means a collaboration of for-profit business entities, in response to a solicitation, which is manifested by a written agreement, between two or more independently owned and controlled business firms to form a third business entity solely for purposes of undertaking distinct roles and responsibilities in the completion of a given contract. Under this business arrangement, each joint venture partner shares in the management of the joint venture and also shares in the profits or losses of the joint venture enterprise commensurately with its contribution to the venture.

STATE BIDDER'S / RESPONDENT'S PERCENTAGE OF OWNERSHIP IN THE JOINT VENTURE: 21%

SUBMIT A COPY OF THE JOINT VENTURE AGREEMENT. SUBMIT ANY OTHER DOCUMENTATION REQUESTED BY CITY TO SUBSTANTIATE THE EXISTANCE OF AND/OR PARTICIPATION IN THE JOINT VENTURE. NO PREFERENCE POINTS WILL BE ALLOCATED TO A JOINT VENTURE THAT FAILS TO SUBMIT REQUIRED DOCUMENTATION.

6100006820

SOLICITATION NAME/NUMBER: Purchase of Medium and Heavy Duty Trucks

**PROVIDE THE FOLLOWING INFORMATION REGARDING BIDDER'S / RESPONDENT'S HEADQUARTERS:**

Name of Business:	Grand Truck Center	
Physical Address:	4562 IH-10 East	
City, State, Zip Code:	SAN Antonio, TX 78219	
Phone Number:	210-666-7112	
Email Address:	rshoffstall@grandetruck.com	
Provide the total number of full-time, part-time, and contract personnel employed by Bidder / Respondent:	<u>200</u>	
Is Business headquartered within the incorporated San Antonio city limits? (circle one)	<input checked="" type="radio"/> Yes	<input type="radio"/> No
Has the business been headquartered in the incorporated San Antonio city limits for one year or more? (circle one)	<input checked="" type="radio"/> Yes	<input type="radio"/> No
If the answers to the questions above are "Yes", stop here. If the answer to either of the above questions is "No", provide responses to the following questions:		

**City of San Antonio**  
**Finance Department - Purchasing Division**  
**Local Preference Program Identification Form**

**PROVIDE THE FOLLOWING INFORMATION REGARDING BIDDER'S / RESPONDENT'S LOCAL OFFICE (IF APPLICABLE):**

Name of Business:		
Physical Address:		
City, State, Zip Code: <i>SA</i>		
Phone Number:		
Email Address:		
Provide the total number of full-time, part-time, and contract personnel employed by Bidder / Respondent in the local office: _____		
Is the business located in the incorporated San Antonio city limits? (circle one)	Yes	No
Has the business been located in the incorporated San Antonio city limits for one year or more? (circle one)	Yes	No
Are at least 100 full-time, part-time or contract employees regularly based in the San Antonio office? (circle one)	Yes	No
Are at least 20% of the business' total full-time, part-time or contract employees regularly based in the San Antonio office? (circle one)	Yes	No
Do the employees in the San Antonio office perform a substantial role in the business' performance of a commercially useful function or are a substantial part of the business' operations conducted in the San Antonio office? (circle one)	Yes	No

**City of San Antonio**  
**Finance Department - Purchasing Division**  
**Local Preference Program Identification Form**

---

ACKNOWLEDGEMENT

THE STATE OF TEXAS

I certify that my responses and the information provided on this Local Preference Program Identification Form are true and correct to the best of my personal knowledge and belief and that I have made no willful misrepresentations on this form, nor have I withheld any relevant information in my statements and answers to questions. I am aware that any information given by me on this Local Preference Program Identification Form may be investigated and I hereby give my full permission for any such investigation, including the inspection of business records and site visits by City or its authorized representative. I fully acknowledge that any misrepresentations or omissions in my responses and information may cause my offer to be rejected or contract to be terminated. I further acknowledge that providing false information is grounds for debarment.

BIDDER'S / RESPONDENT'S FULL NAME:

Keith Shoffstall

(Print Name) Authorized Representative of Bidder / Respondent

Keith Shoffstall

(Signature) Authorized Representative of Bidder / Respondent

Sales

Title

12/3/2015

Date

**This Local Preference Identification Form must be submitted with the bidder's /  
respondent's bid/proposal response.**

**City of San Antonio**  
**Veteran-Owned Small Business Program Tracking Form**

---

**Authority.** San Antonio City Code Chapter 2, Article XI describes the City's veteran-owned small business preference program.

**Tracking.** This solicitation is not eligible for a preference based on status as a veteran-owned small business (VOSB). Nevertheless, in order to determine whether the program can be expanded at a later date, the City tracks VOSB participation at both prime contract and subcontract levels.

**Certification.** The City relies on inclusion in the database of veteran-owned small businesses (VOSB) maintained by the U.S. Small Business Administration to verify VOSB status; however, veteran status may also be confirmed by certification by another public or private entity that uses similar certification procedures.

**Definitions.**

The program uses the federal definitions of veteran and veteran-owned small business found in 38 CFR Part 74.

- The term "veteran" means a person who served on active duty with the U.S. Army, Air Force, Navy, Marine Corps, Coast Guard, for any length of time and at any place and who was discharged or released under conditions other than dishonorable. Reservists or members of the National Guard called to federal active duty or disabled from a disease or injury incurred or aggravated in line of duty or while in training status.
- A veteran-owned small business is a business that is not less than 51 percent owned by one or more veterans, or in the case of any publicly owned business, not less than 51 percent of the stock of which is owned by one or more veterans; the management and daily business operations of which are controlled by one or more veterans and qualifies as "small" for Federal business size stand purposes.

The program uses the below definition of joint venture.

- Joint Venture means a collaboration of for-profit business entities, in response to a solicitation, which is manifested by a written agreement, between two or more independently owned and controlled business firms to form a third business entity solely for purposes of undertaking distinct roles and responsibilities in the completion of a given contract. Under this business arrangement, each joint venture partner shares in the management of the joint venture and also shares in the profits or losses of the joint venture enterprise commensurately with its contribution to the venture.

The program does not distinguish between a veteran and a service-disabled veteran-owned business and is not limited geographically.

**COMPLETE THE FOLLOWING FORM AND SUBMIT WITH YOUR BID/PROPOSAL.**

**INSTRUCTIONS**

- IF SUBMITTING AS A PRIME CONTRACTOR ONLY, COMPLETE **SECTION 1** OF THIS FORM.
- IF SUBMITTING AS A PRIME CONTRACTOR UTILIZING A SUBCONTRACTOR, COMPLETE **SECTIONS 1 AND 2** OF THIS FORM.

**City of San Antonio**  
**Veteran-Owned Small Business Program Tracking Form**

SOLICITATION NAME/NUMBER: Purchase of Medium and Heavy Duty Trucks  
6100006820

Name of Respondent:	Keith Shoffstall	
Physical Address:	4562 IH-10 East	
City, State, Zip Code:	San Antonio, TX 78232	
Phone Number:	210-666-7112	
Email Address:	rshoffstall@grandetruck.com	
Is Respondent certified as a VOSB with the U.S. Small Business Administration? (circle one)	Yes	<input checked="" type="radio"/> No
If yes, provide the SBA Certification #		
If not certified by the SBA, is Respondent certified as a VOSB by another public or private entity that uses similar certification procedures? (circle one)	Yes	<input checked="" type="radio"/> No
If yes, provide the name of the entity who has certified Respondent as a VOSB. Include any identifying certification numbers.		
Participation Percentage:		
Participation Dollar Amount:		

Is Respondent subcontracting with a business that is certified as a VOSB? (circle one)	Yes	<input checked="" type="radio"/> No
Name of <b>SUBCONTRACTOR</b> Veteran-Owned Small Business:		
Physical Address:		
City, State, Zip Code:		
Phone Number:		
Email Address:		
Is <b>SUBCONTRACTOR</b> certified as a VOSB with the U.S. Small Business Administration? (circle one)	Yes	<input checked="" type="radio"/> No
If yes, provide the SBA Certification #		
If not certified by the SBA, is <b>SUBCONTRACTOR</b> certified as a VOSB by another public or private entity that uses similar certification procedures? (circle one)	Yes	<input checked="" type="radio"/> No
If yes, provide the name of the entity who has certified <b>SUBCONTRACTOR</b> as a VOSB. Include any identifying certification numbers.		
Participation Percentage:		
Participation Dollar Amount		

**City of San Antonio**  
**Veteran-Owned Small Business Program Tracking Form**

---

ACKNOWLEDGEMENT

THE STATE OF TEXAS

I certify that my responses and the information provided on this Veteran-Owned Small Business Preference Program Identification Form are true and correct to the best of my personal knowledge and belief and that I have made no willful misrepresentations on this form, nor have I withheld any relevant information in my statements and answers to questions. I am aware that any information given by me on this Veteran-Owned Small Business Preference Program Identification Form may be investigated and I hereby give my full permission for any such investigation, including the inspection of business records and site visits by City or its authorized representative. I fully acknowledge that any misrepresentations or omissions in my responses and information may cause my offer to be rejected or contract to be terminated. I further acknowledge that providing false information is grounds for debarment.

BIDDER/RESPONDENT'S FULL NAME:

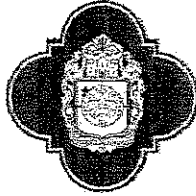
Keith Shoffstall  
(Print Name) Authorized Representative of Bidder/Respondent

Keith Shoffstall  
(Signature) Authorized Representative of Bidder/Respondent

Sales  
Title

12/3/2015  
Date

**This Veteran-Owned Small Business Program Tracking Form must be submitted with the Bidder/Respondent's bid/proposal.**



## City of San Antonio

### ADDENDUM I

**SUBJECT:** Formal Invitation For Bid (IFB) 6100006820 PURCHASE OF MEDIUM AND HEAVY DUTY TRUCKS scheduled to open Monday, November 30, 2015 date of issue November 6, 2015.

**DATE:** November 20, 2015

**THE ABOVE MENTIONED INVITATION FOR BID (IFB) IS HEREBY AMENDED AS FOLLOWS:**

**1. THE BID OPENING IS HEREBY EXTENDED TO MONDAY, DECEMBER 7, 2015, 2:00 P.M. CENTRAL TIME.**

**2. Questions Submitted by email: Item 7**

**4.9.14 Question:** they ask for a 13.5" x 94" body (they probably meant 13 1/2 ft x 94") ours is 14ft x 95".

**Response:** The body will be a minimum of 14 ft" L x 95" W maximum with an approximately weight of 5,400 lbs.

**4.9.16 Question:** we have a 50 gal storage sump and used filter box instead of 15 gal combination bumper and drain pan.

**Response:** The unit shall have a 50 gallon storage sump and used filter box.

**4.9.17 Question:** our doors are different dimensions

**Response:** The compartment to be approximately 114"W x 58.5" H x 22"D. The curb side compartment to have a pair of overlapping doors and a storage approximately 24.4 Cu. Ft. The compartment to measure approximately 60"W x 32" H x 22" D.

**4.9.18 Question:** use a fold down ladder rather than integrated steps

**Response:** The access steps must be fold down ladder or integrated into the lower body skirts and consist of two steps and two grab handles that are located on either side of the door opening for safety.

**4.9.26 Question:** our pumps and control manifold are mounted in a under floor compartment not in the right rear of the cabinet.

**Response:** The manifold pumping system is to be mounted in a under floor compartment or the right hand, bottom portion of the hose reel compartment so that the pumps are mounted in a vertical manner.



4.9.31 **Question:** we do not use a tank rail mounting system as they can loosen and let the tanks move around. Our tanks are 4 point rubber bushing mounted.

**Response:** The tank must be mounted with rails incorporated into the body or be four (4) point mounted with rubber bushing. Tank may be steel or poly.

4.9.35 **Question:** we use reelcraft reels that have a cast steel single pedestal rather than the lighter gauge fabricated double pedestal.

**Response:** The reel must be a minimum of cast steel single pedestal.

4.9.40 **Question:** our auxiliary platform is 58" x 95" not the specified 36" x 94".

**Response:** The platform will measure a minimum 58"L x 95" W maximum and must have the same tank containment system as the main platform.

4.4.43 **Question:** our underbody tool cabinets are located under the body not attached to the auxiliary platform. The auxiliary platform has the full height vertical cabinets. **Response:**

**Response:** The auxiliary platform has full height vertical cabinets.

### 3. Questions Submitted by email: Item 3

**Question:** The compaction rate is so high on our Wayne 9 or 10 yard bodies it will require a 26K GVW chassis. With the chassis restrictions at 19.5 GVW will you consider our 8 yard body with a 4 ton payload?

**Response:** We would like to hold to the capacity of 9 cubic yards with a hopper loading area of 2 cubic yards.

**Question:** Two yard hopper units will typically have an average of 22 second cycle time but our one yard hopper has a 13 second cycle time. Will you consider 1 yard hopper with a 13 second cycle time?

**Response:** We would like to hold to the capacity of 9 cubic yards with a hopper loading area of 2 cubic yards.

4. IFB Document Section 004 – Specifications / Scope of Services, Item Description changed to read:

4.1 SCOPE: The City of San Antonio is soliciting bids to provide 21 medium and heavy trucks in accordance with the Building and Equipment Services Department specifications listed herein. This equipment will be utilized by the Aviation, Solid Waste Management, Parks & Recreation, Office of Downtown Operations, Convention Facilities, and Transportation and Capital Improvements departments for various construction and/or repair projects across the City

Changed to read:

4.2.3 DELIVERY - All deliveries are to be made inside the City limits of San Antonio. Vendor

must deliver equipment to the following address:

City of San Antonio,  
Northeast Service Center,  
10303 Tool Yard, Bldg #2,  
San Antonio, TX 78233  
Attn: Acquisitions

Delivery to a non-specified location will result in non-acceptance of the equipment by the City. All deliveries must be pre-arranged with a minimum 24-hour notification, NO EXCEPTIONS. Vehicles will be accepted 8:00 A.M. to 3:00 P.M. CST. Vehicles with more than 3,500 miles accumulated on the odometer will not be accepted. All vehicles are required to have a full tank(s) when delivered to City specified location.

Changed to read:

4.2.4 Literature and Equipment Manuals – The supplier shall furnish (4) complete sets per vehicle type, of the following: Parts Manual, Maintenance Manual, Service Manual, and Operators Manual, or (5) CD ROM per model of all equipment, accessories, and components, or (4) USB drives, or accessible on-line through manufacturer's website. The supplier shall furnish (4) complete sets of detailed literature and specifications of each vehicle type upon contract award.

Changed to read:

4.2.12 All vehicles are to be equipped at the factory with air conditioning/Heater/defroster, (Maximum capacity cooling system offered by manufacturer), full headliner minimum OEM AM/FM radio, power steering, power ABS brakes, power and heated mirrors and manual tilt steering wheel. Each unit shall have a **minimum three (3) sets of keys. Convenience Features:** Vehicle shall be equipped with adjustable seats; intermittent wipers, cruise control. All lighting shall be LED where available.

Deleted:

4.3	ITEM	QUANTITY	DESCRIPTION
	1	5	19,501-26,000 GVWR General Purpose Flatbed

DELETED:

Changed to read:

4.4	ITEM	QUANTITY	DESCRIPTION
	2	1	19,501 - 26,000 GVWR 15' Brush Dump Body and Tarp

Changed to read:

4.4.1 ENGINE: Diesel, minimum 260 H.P.

Changed to read:

4.4.4 REAR AXLE: Minimum 17,500 lbs., single speeds, ratio geared to attain 65 mph +/-2 mph, equipped with hub piloted steel hubs, out-board mount type brake drums. Stemco (or equal) oil rear seals.

Changed to read:

4.4.8 BRAKES: Full air, S-cam type, manufacturer's heavy duty brake shoes, spring set parking brakes. Front and rear automatic slack adjusters. Gear or belt driven compressor. Minimum 13 CFM compressor, Midland Pure Air Plus Dryer Model DA33100 or equal with automatic drain valves Model KN24000 or equal on all tanks. . Spring set parking brakes on both rear axles. Quick connect couplings to be located in a protected area near the front bumper. Couplings will not be mounted to the bumper. Female coupling ½" Milton M Type or approved equal to air tanks.

Changed to read:

4.4.9 FUEL SYSTEM: To be equipped with under cab minimum 45 gallon left or right hand tanks. Fuel filtration system to include primary and secondary type fuel filters with automatic water separator. Diesel Exhaust Fluid (DEF) Gauge inside of cab.

Changed to read:

4.4.11 FRAME: Minimum 75,000 PSI rail, 900,000 RBM.

Changed to read:

4.4.12 EXHAUST SYSTEM: Exhaust system to be vertically mounted with turn out

Changed to read:

4.4.13 UNIT TO BE EQUIPPED WITH THE FOLLOWING ADDITIONAL EQUIPMENT:

4.4.13.1 Minimum one (1) electrical and one (1) air horns.

Changed to read:

4.4.13.11 Seating: Vinyl or premium synthetic upholstery. Driver seat to be reclining with high back, and passenger seating to be 2 man bench type.

Added:

4.4.13.12 Minimum four (4) factory installed up-fitter switches.

Changed to read:

4.4.15 Dump is to be ALL STEEL BODY and must be hydraulic and have PTO inside cab to operate.

Changed to read:

4.4.19 CROSS SILLS: Minimum four inch (4") formed box channel of "C" section high strength steel, eleven (11) gauge. All cross sills to be welded to longitudinal sills on all sides. Allow 16" spacing between cross sills.

Changed to read:

4.4.25 PIVOTS & PINS: All pivots shall be equipped with grease fittings.

Changed to read:

4.4.26 HYDRAULICS: Hoist shall be heavy duty, double lift arm hoist. Hoist to be type V, underbody hoist. Fifty degree (50 degree) dump angle +/-2 degrees, with truck chassis frame tapered at rear to form a positive stop with rails of dump box (a full mating surface is

required) at maximum dump angle. Hydraulic pump to be close couple direct mount to power take off. Pump to be air controlled with feathering valve. Hydraulic system to include in-line hydraulic filter. Pump and P.T.O. controls to be firmly mounted in cab where it is easily accessible from driver's position. Cable or rod operated controls are not acceptable. Units will be provided with safety limit equipment designed to stop the dump body at its maximum dump angle. Safety limit equipment to include a flexible wand type switch and an air solenoid valve rated at not less than 125 PSI. Hoist installation must provide for use of the entire cylinder stroke when reaching maximum dump angle. The only acceptable substitute to the above requirement for a flexible wand type switch and air solenoid valve will be for a system designed with an internal bypass stroke limit system. Hoist assemblies with the tie rod design for cylinder construction are not acceptable.

Changed to read:

4.4.27 OTHER EQUIPMENT: All necessary clearance lights, marker lights, reflectors, mud flaps and mechanical backup alarm to be included and meet State Inspection requirements.

Changed to read:

4.4.28 TAILGATE OPENING: Swing Door design. Double doors open from the middle and latch with a chain to secure load. Each door is 4' wide. The width of the truck is 8'. Need to be 5'.5" high. Need to open out and lock at the gate. Tailgate is to be hinged vertically, not horizontally.

Changed to read:

4.4.29 SAFETY: Equipped with seatbelts, flush mounted type amber colored strobe lights to be installed in all four corners (front and rear light assemblies) of truck. All strobes to be wired to a factory type switch located in cab.

Changed to read:

4.4.30 No trail hitch or pintle required.

Changed to read:

4.5	ITEM	QUANTITY	DESCRIPTION
	3	3	35,000 Minimum GVWR 7 Cubic Yard Dump Truck

Changed to read:

4.5.1 ENGINE: Diesel, minimum 250 H.P., 660 ft. lb. of torque at manufacturers recommended RPM.

Changed to read:

4.5.2 GVWR: Maximum 35,000 lbs.

Changed to read:

4.5.3 TRANSMISSION: Minimum Allison 2500 RDS, or proven equal.

Changed to read:

4.5.4 REAR AXLE: Minimum 23,000 lbs., single speed, ratio geared to attain 65 mph +/-2 mph, equipped with hub piloted steel hubs, out-board mount type brake drums.

Changed to read:

- 4.5.5 FRONT AXLE: Minimum 12,000 lbs., equipped with hub piloted steel hubs, out-board mount type brake drums with front wheel visible caps bearing oiler. Front shock absorbers to be heaviest duty available for specified axle.

Changed to read:

- 4.5.7 WHEELS AND TIRES: Wheels to be 10 hole hub piloted steel disk wheel, minimum 11R22.5 steel belted tubeless radials, minimum load range G tires. Front tires to be conventional tread. Rear dual wheel application to be on-off, self-cleaning, lug design. Loose lug indicators on front and rear wheels.

Changed to read:

- 4.5.8 BRAKES: Full air, S-cam type, manufacturer's heavy duty brake shoes, spring set parking brakes. Front and rear automatic slack adjusters. Gear or belt driven compressor. Minimum 13 CFM compressor, Midland Pure Air Plus Dryer Model DA33100 or equal with automatic drain valves Model KN24000 or equal on all tanks. Spring set parking brakes on both rear axles. All brake drums to be cast iron. Quick connect couplings to be located in a protected area near the front bumper. Couplings will not be mounted to the bumper. Female coupling 1/2" Milton M Type or approved equal to air tanks.

Changed to read:

- 4.5.9 FUEL SYSTEM: To be equipped with under cab minimum 50 gallon left or right hand tank. Fuel filtration system to include primary and secondary type fuel filters with automatic water separator. Diesel Exhaust Fluid (DEF) Gauge inside of cab

Changed to read:

4.5.13 UNIT TO BE EQUIPPED WITH THE FOLLOWING ADDITIONAL EQUIPMENT:

Changed to read:

- 4.5.13.1 Minimum one (1) electrical and one (1) air horns.

Added:

- 4.5.13.11 Seating: Vinyl or premium synthetic upholstery. Driver seat to be reclining with high back, and passenger seating to be 2 man bench type.

Added:

- 4.5.13.12 Minimum four (4) factory installed up-fitter switches.

Changed to read:

- 4.5.14 STANDARD BODY CONSTRUCTION: Body to be 10' X 7' inside and be constructed of minimum 8 gauge steel that meets the ASTM A572 Standard, having a 15 to 20 carbon content. Body shall have a 2" radius between sides and floor to provide easier and cleaner discharge of load. Sides shall be adequately side braced and rub rails be sloped dirt-free self-cleaning type. All welds shall be continuous on floor side, head seams, braces, etc., NO SKIP WELDS. Side boards to be minimum 2" x 6" x 1/4" structural rectangular tubing. Long sills shall be constructed of minimum 5" I-beam with a 1/2" web. Crossmembers shall be constructed of minimum 4" I-beam with a 3/16" web. Crossmembers to be on maximum 14" centers, must extend under rub rails and side post, be gusseted to body long sills and welded to long sills on all sides. Rear corner posts shall be a minimum of 12" wide and constructed of minimum 8 gauge steel which meets the above mentioned standard. Body shall have a half size cab protector. Body sub-frame to have external guides installed to

guide body into proper alignment with sub-frame, to prevent side movement during travel.

Changed to read:

4.5.15 **TAILGATE:** Tailgate shall be of the double-acting type, constructed with boxed type reinforcements on all sides with a basic sheet wrapped over top and under bottom with a minimum of two vertical box braces and one horizontal box brace in center, or one vertical box brace in center and two horizontal box braces. Base section must be of the sloped, dirt-free self-cleaning type. Upper tailgate hardware to be minimum 7/8" thick, flame cut steel. Tailgate locks must be easy to manipulate and provide firm locking. Tailgate spreader chains to be attached directly under upper tailgate crossmember and configured to allow multiple positioning of tailgate to include horizontal. All welds to be continuous, no spot or skip welding

Changed to read:

4.5.16 **TOW PACKAGE:** Rear Bumper – OEM rear bumper and tow package to include receiver hitch with 2" hitch opening, pinel latch 6", OEM in-cab mounted trailer brake controller and both a 4-way flat vehicle connector and 7-Way round vehicle connector (Flat Pin). Unit must have electric brake module for electric brake trailers and gland hands for air brake trailers.

Changed to read:

4.5.17 **PIVOTS & PINS:** All pivots shall be equipped with grease fittings.

Changed to read:

4.8.17.1 Rear Hinge Pins - Minimum 2" O.D.

Changed to read:

4.8.17.2 Upper Tailgate Pins - Minimum 1" O.D.

Changed to read:

4.8.15.3 Lower Tailgate Pins - Minimum 1-1/4" O.D.

Changed to read:

4.5.18 **HYDRAULICS:** Hoist shall be heavy duty, double lift arm hoist, Galion U850HD, Perfection 825, or proven equal, conforming to the most current National Truck Equipment Association's (N.T.E.A.) criteria for Class 50 lifting capacity. Hoist to be type V, underbody hoist, as defined in the N.T.E.A. second edition, Dump Body Hoist Chart. Fifty degree (50 degree) dump angle +/- 2 degrees, with truck chassis frame tapered at rear to form a positive stop with rails of dump box (a full mating surface is required) at maximum dump angle. NO OTHER STOP IS ACCEPTABLE. Hydraulic pump to be close couple direct mount to power take off. Pump to be Chelsea DPH25, Munci D2XL27-2BPRL (minimum 19 GPM at 1,000 RPM) or equal, air controlled with feathering valve. Hydraulic system to include in-line hydraulic filter. Power take off to be Chelsea 445XSES, Muncie TG6S Powerflex or equal, with air shift controls. Pump and P.T.O. controls to be firmly mounted on vehicle dash board easily accessible from driver's position. Cable or rod operated controls are not acceptable. Units will be provided with safety limit equipment designed to stop the dump body at its maximum dump angle. Safety limit equipment to include a flexible wand type switch, Micro BZE6-2RN18-8631, and an air solenoid valve rated at not less than 125 PSI, Humphrey 062E-3-11-20-35, no exceptions. Hoist installation must provide for use of the entire cylinder stroke when reaching maximum dump angle. The only acceptable substitute to the above requirement for a flexible wand type switch and air solenoid valve will be for a system designed with an internal bypass

stroke limit system, Perfection Dump Hoist Design or proven equal. Hoist assemblies with the tie rod design for cylinder construction are not acceptable

Changed to read:

4.5.19 MISCELLANEOUS EQUIPMENT: All necessary clearance lights, marker lights, reflectors, mud flaps and mechanical backup alarm to be included and meet State Inspection requirement.

Changed to read:

4.5.20 WORK QUALITY: Bodies with inferior welds (i.e., pin holes and non-penetrating welds) will not be accepted. Welds on sub-frames or body components will be such as not to interfere with any other frame or body component. All components are to be new (overhauled items are NOT acceptable).

Changed to read:

4.5.21 DUMP BODY COVER ASSEMBLY: Tarp system to be Pull Tarps, Universal Super shield Automated Arm System, part number S9E (or current equivalent), with steel arms, or proven equal. Motor will be mounted in the "down" position. A weather proof control panel, with a minimum 25-amp reset breaker, to operate tarp system will be located in conjunction with the hydraulic controls. Controls to operate the tarping system will not be placed in the cab of the tractor.

4.6	ITEM	QUANTITY	DESCRIPTION
	4	2	19,501- 26,000 GVWR 9 Cubic Yard Sanitation Truck

Changed to read:

4.6.3 TRANSMISSION/DRIVE Automatic transmission with overdrive; 5 speed minimum, 4x2 design.

Changed to read:

4.6.9 FUEL SYSTEM: Fuel tank shall hold a minimum of 35 gallons of Ultra Low Sulfur Diesel. Diesel Exhaust Fluid (DEF) Gauge inside of cab.

4.6.17 HYDRAULIC SYSTEM: Unit to be equipped with the following:

Changed to read:

4.6.16.3 Hydraulic Tank: The tank shall hold a minimum of 40 Gallons.

Changed to read:

4.6.21 COLOR: Cab and Chassis of unit to be OEM White and sanitation attachment to be OEM Yellow.

4.7	ITEM	QUANTITY	DESCRIPTION
	5	8	>50,000 GVWR Fifth Wheel Tractors

Changed to read:

4.7.3 TRANSMISSION: Manual transmission; Fuller FR-RTLO-18918B, or proven equal. 18 Speed.

Changed to read:

4.7.4 REAR AXLE: Tandem axle configuration- 6x4 design. Single speed tandem drive, minimum 40,000 lbs capacity. Gear ratio installed must be capable of 80 +/- 2 mph geared road speed at full engine governed RPM. Driver controlled differential locks on both rear axles.

Changed to read:

4.7.5 FRONT AXLE: Minimum 13,200 lbs. capacity with 13,200 lbs spring with Stemco or proven equal front wheel bearing oiler or maintenance free axle approved. To include heavy duty front shocks.

Changed to read:

4.7.6 REAR SUSPENSION: Minimum 40,000 lbs capacity; Hendricks Air Ride.

Changed to read:

4.7.8 BRAKES: Full air, S-cam type, manufacture's heavy duty brake shoes, spring set parking brakes. Unit must be equipped with a 2 Stage "J" Brake. Front and rear automatic slack adjusters. Minimum 13 CFM compressor, Midland Pure Air Plus Dryer Model DA33100 or equal with automatic drain valves Model KN24000 or equal on all tanks. Spring set parking brakes on both rear axles. Quick connect couplings to be located in a protected area near the front bumper. Couplings will not be mounted to the bumper. Equipped with glad-hands suitable for ABS brakes. Female coupling 1/2" Milton M Type or approved equal to air tanks.

Changed to read:

4.7.9 FUEL SYSTEM: Single left or right hand metal tank mounted under cab or dual left and right hand step tanks mounted under cab. Minimum fuel capacity to be 70 gallons. Fuel filtration to include primary and secondary filtering systems with automatic water separator. Diesel Exhaust Fluid (DEF) Gauge inside of cab

Changed to read:

4.7.11 EXHAUST SYSTEM: Vertical tailpipe, heat guard, and turn out, mounted to allow full utilization of specified cab to trunion length.

Changed to read:

4.7.16 FIFTH WHEEL: Unit to be a non-tilt convertible fifth wheel design.

4.8	ITEM	QUANTITY	DESCRIPTION
	6	1	>50,000 GVWR Dump Truck

Changed to read:

4.8.1 ENGINE: Diesel, Minimum 8.9 liter water cooled, minimum 345 net horsepower rated at not more than 1800 RPM, producing a minimum of 1,000 ft. lb. of gross torque at between 1100 and 1300 RPM. Road speed to be electronically governed to 65 +/- 2 MPH.



Changed to read:

4.8.2 GVWR: Greater than 50,000 lbs.

Changed to read:

4.8.3 TRANSMISSION: Allison 3000 RDS or proven equal.

Changed to read:

4.8.6 REAR SUSPENSION: Minimum 40,000 lbs. capacity, Hendrickson HMX or equal.

Changed to read:

4.8.8 BRAKES: Full air, S-cam type, manufacture's heavy duty brake shoes, spring set parking brakes. Front and rear automatic slack adjusters. Minimum 13 CFM compressor, Midland Pure Air Plus Dryer Model DA33100 or equal with automatic drain valves Model KN24000 or equal on all tanks. Spring set parking brakes on both rear axles. Quick connect couplings to be located in a protected area near the front bumper. Couplings will not be mounted to the bumper. Female coupling ½" Milton M Type or approved equal to air tanks. Equipped with glad-hands suitable for ABS brakes.

Changed to read:

4.8.9 FUEL SYSTEM: Single left or right hand tank mounted under cab or dual left and right hand step tanks mounted under cab. Minimum total fuel capacity to be 70 gallons. Fuel filtration to include primary and secondary filtering systems. Fuel filtration to be combination primary filter, automatic water separator. Diesel Exhaust Fluid (DEF) Gauge inside of cab

Changed to read:

4.8.11 EXHAUST SYSTEM: Vertical tailpipe, heat guard, and turnout, mounted to allow full utilization of specified cab-to-trunion length.

Changed to read:

4.8.13 DELETED

Changed to read:

4.8.14 UNIT TO BE EQUIPPED WITH THE FOLLOWING ADDITIONAL EQUIPMENT

Changed to read:

4.8.14.1 Minimum one (1) electrical and one (1) air horns.

Added:

4.8.14.12 Minimum four (4) factory installed up-fitter switches

Changed to read:

4.8.15 BODY CONSTRUCTION: Body must be 14' x 7' inside and be constructed of minimum seven (7) gauge steel which meets the ASTM A1011 High Tensile Standard. Body must have a diagonal slope between sides and floor to provide cleaner discharge of load. Sides must be adequately side braced and rub rails be sloped dirt-free type. Floor to be constructed of minimum ¼" AR-400 steel. All welds must be continuous on floor seams, braces, etc., NO SKIP WELDS. Side boards of channel steel minimum 2.60" x 10" x .240"

to be installed to present a smooth face on inside of body. Body height to be a minimum 36", 7 gauge steel. Long sills must be constructed of 7" structural I-beam or channel (minimum). Crossmembers must be constructed of 4", 7.7 lbs. per foot structural I-beam or channel (minimum). Under structure must include standard front and rear 4" structural I-beams or channel and intermediate crossmembers maximum on 12" centers evenly spaced from front to rear. Rear corner posts must be a minimum of 10" wide and constructed of seven (7) gauge steel which meets the above mentioned standard. Body must have half size cab protector. Body sub-frame to have external guides installed to guide body into proper alignment with sub-frame and to prevent side movement during travel. Bottom end of body floor shall incorporate a material chute which shall be constructed of 1/4" steel.

Changed to read:

4.8.21 TARP SYSTEM: Electric tarp from front to rear of bed with manual override. Heavy duty tarp is to cover entire length of trailer cargo space to prevent loose debris from falling out during transport. Tarp controls to be installed inside of cab.

Changed to read:

4.8.23 HITCH: Unit to be equipped with a minimum 30 ton pintle hitch.

Changed to read:

4.9	ITEM	QUANTITY	DESCRIPTION
	7	2	>33,000 GVWR Utility Bed/Lubrication Body Trucks

Changed to read:

4.9.1 ENGINE: Diesel, minimum 330 SAE net horsepower, and 950 ft. lbs. of torque at manufacturers recommended RPM, with engine oil cooler and full flow spin-on oil filter, dry type air filter. The engine shall be equipped with an automatic engine shutdown with alarm. Largest capacity radiator with automatic viscous fan clutch or on/off fan clutch.

Changed to read:

4.9.4 FRONT & REAR AXLE: **FRONT AXLE:** Minimum 12,000 lbs. capacity with 12,000 lbs. spring capacity. **REAR AXLE:** Minimum 23,000 lbs. capacity with 23,000 lbs. spring capacity, equipped with hub piloted steel hubs, out-board mount type brake drums. Rear axle equipped with heavy duty springs plus auxiliary springs. Stemco or equal rear oil seals. Gear ratio will be determined by the best start ability and grade ability.

Changed to read:

4.9.6 WHEELS & TIRES: Front and rear wheel seals to be Stemco Wet, steel wheels, minimum 8.25" rims with minimum 11R-22.5 (NO EXCEPTIONS), minimum load range H, tubeless steel belted radial tires. Front tires conventional tread. Rear dual application to be self-cleaning lug design. Loose lug indicators on front and rear wheels.

Changed to read:

4.9.7 BRAKES: Air, Full power with automatic adjustment, 4-channel ABS with traction control, rear axle mounted parking brake. Minimum 13 CFM compressor, Midland Pure Air Plus Dryer Model DA33100 or equal with automatic drain valves Model KN24000 or equal on all tanks Quick connect couplings to be located in a protected area near the front bumper.

Couplings will not be mounted to the bumper. Female coupling ½" Milton M Type or approved equal to air tanks.

Changed to read:

4.9.8 FUEL SYSTEM: To be equipped with minimum capacity of 50 gallons. Right or left side tank mount. Fuel filtration system to include primary and secondary with water separator. Fuel filler neck is required to have a removable, full flow screen. Diesel Exhaust Fluid (DEF) Gauge inside of cab.

Changed to read:

4.9.9 EXHAUST SYSTEM: Vertical exhaust pipe, heat cover and turn out to be mounted to allow full utilization of cab-to-axle length.

Changed to read:

4.9.10 ELECTRICAL: Minimum 1800 CCA (total) batteries and minimum 200 amp alternator. Batteries are to be equipped with jump start studs and a battery disconnect switch located in the cab.

Changed to read:

4.9.13 MISCELLANEOUS ITEMS:

Changed to read:

4.9.13.6 Minimum four (4) factory installed up-fitter switches.

Changed to read:

4.9.14 The body will be a minimum of 14 ft" L x 95" W maximum with a approximately weight of 5,400 lbs. Floor plate will be a minimum of 1/8" steel.

Changed to read:

4.9.16 The enclosed rear dropped service compartment shall incorporate a rear tubular style bumper, reel and pump mounting shelves. The unit shall have a 50 gallon storage sump and used filter box. The compartment assembly shall tie directly to the chassis frame to provide support. The finished compartment to be designed for installation of appropriate lights and have a slatted roll up door with weather seals and a drip edge.

Changed to read:

4.9.17 There will be minimum two storage compartments above the deck. The street side compartment shall consist of three separate compartments each having 3-point latching doors. The combined storage capacity of this compartment must be a minimum of 84.9 cu. ft. The compartment to be approximately 114"W x 58.5" H x 22"D. The curb side compartment to have a pair of overlapping doors and a storage approximately 24.4 Cu. Ft. The compartment to measure approximately 60"W x 32" H x 22" D.

Changed to read:

4.9.18 There will be a door and steps to access the upper deck and storage tanks. The door to measure approximately 29.25" W x 57.50" H and have a single point latch. The access steps must be fold down ladder or integrated into the lower body skirts and consist of two steps and two grab handles that are located on either side of the door opening for safety.

Changed to read:

- 4.9.21 LED Lights will be mounted along all sides of body and rear section. These LED lights are to be swivel and adjustable work lights. ALL COMPARTMENTS SHALL BE LIGHTED.

Changed to read:

- 4.9.26 The product oil pumping system shall consist of a hydraulic driven pump per oil tank. Each product must be equipped with an on-off valve and be capable of a sustained delivery rate of a minimum 12 GPM. The pump will supply the manifold consisting of multiple oil systems pumps. The manifold is to provide the hydraulic power for the pumps. The manifold pumping system is to be mounted in a under floor compartment or the right hand, bottom portion of the hose reel compartment so that the pumps are mounted in a vertical manner.

Changed to read:

- 4.9.28 There will be one (1) 75 gallon antifreeze system. It will have a lockable 2-inch vented cap, 1 micron breather filter and include a 1 inch bottom suction port. The tank is to be mounted with rails incorporated into the body, tanks may be steel or poly.

Changed to read:

- 4.9.31 There will be one (1) 135 gallon oil salvage system, with a lockable 2-inch vented cap, 1 micron breather filter and include a 1 inch bottom suction port. The tank must be mounted with rails incorporated into the body or be four (4) point mounted with rubber bushing. Tank may be steel or poly.

Changed to read:

- 4.9.33 The salvage reel must be heavy duty, high volume and spring retractable. The reel is to be of a heavy gauge steel frame and dual support arms. The reel must have a positive lock and unlock ratchet and be equipped with a 1 1/4 X 35 minimum hose with a ball stop.

Changed to read:

- 4.9.35 The air reel is to be heavy duty, high volume and spring retractable. The reel must be a minimum of cast steel single pedestal. Each reel must have a positive lock and unlock ratchet and be equipped with a 1/2 "x 50' minimum hose with a ball stop.

Changed to read:

- 4.9.40 An auxiliary platform will be installed between the main platform and the chassis cab as required for additional fluid systems. The platform will measure a minimum 58"L x 95" W maximum and must have the same tank containment system as the main platform. The platform is to have a minimum 485 gallon capacity. The platform must not exceed 1,200 lbs and will be equipped with hose reels and pump.

Changed to read:

- 4.9.42 A quick fill system for filling product tanks is required. Quick couplers centrally located in the rear reel enclosure.

Changed to read:

- 4.9.43 Two underbody toolboxes will be required. Underbody toolboxes to be mounted under the

body, one each side and will be the largest size and capacity allowed by space available. The auxiliary platform has full height vertical cabinets.

Changed to read:

4.10	ITEM	QUANTITY	DESCRIPTION
	8	1	>33,000 GVWR Grappier Truck (Turnkey Unit)

Changed to read:

4.10.1 ENGINE: In line six (6) cylinder, minimum 8.9 liter, diesel, minimum 330 net HP rated at not more than 2400-RPM, producing a minimum of 950 lb. ft. of gross torque rated at not more than 1400-RPM. Engines to be equipped with OEM or equal shut down control on high water temperature and low oil pressure. Electronic engine controls must have all necessary components and wiring to allow for complete operation of a power take off at a pre-determined RPM using an in-cab control (must be load sensitive). Maximum road speed to be electronically limited to 60-MPH +/-2-MPH. Cruise control will not be activated. Engine will have automatic shut down feature enabled after 5-minutes of idle time.

Changed to read:

4.10.6 WHEELS & TIRES: Wheels to be 10-hole hub piloted steel disk wheel, 22.5 X 8 1/4 painted white. Tires -- Front tires are to be 315/80R 22.5 20 ply and rear tires are to be 11R 22.5 16 ply, tubeless steel belted radial tires. Loose wheel stud/lug indicators shall be installed on all wheels, color orange.

Changed to read:

4.10.7 BRAKES: Full air disc brake with dust shields and ABS brake control system. Brakes to be the maximum O.E.M size offered of disc brakes front and rear to meet or exceed August 2011 Federal brake requirements. Air disc brake internal adjuster's front and rear. Minimum 15 CFM compressor, Midland Pure Air Plus dryer model DA-33100, or proven equal, with a manual drain valve on each tank. It is preferred that the air tanks be grouped together, easily accessible to an operator standing at the side of the truck. If not possible, all air tank drains shall be plumbed to a manifold system where drain valves are at one location, easily accessible to an operator standing at the side of the truck. Spring set parking brakes on rear axle. Female coupling 1/2" Milton M Type or approved equal to air tanks. connected to the emergency side of air system, to be located in a protected area near the front bumper.

Changed to read:

4.10.8 FUEL SYSTEM: To be equipped with minimum capacity of 70-gallons, aluminum or steel tank. Fuel filtration system to include primary and secondary filter with water separator. Fuel filler neck is required to have a, full flow screen. Truck will be delivered with a full fuel tank and DEF fluid, if applicable. Fuel tank and DEF tank shall be mounted street side. Diesel Exhaust Fluid (DEF) Gauge inside of cab.

Changed to read:

4.10.11 TOW HOOKS/WINCH ASSEMBLY: Two front tow hooks installed on frame and strengthened sufficiently to lift, pull, and tow truck without damaging bumper or other body parts. A wire rope, minimum 1-inch diameter, shall be provided and fastened to both tow hooks to attach tow equipment. A winch assembly to be mounted on the frame of the truck.

Electric type winch with minimum 10,000 pound single line pull. Minimum cable drum capacity two hundred feet (200'). Winch to have power in and out capability and be configured with a free spooling clutch and adjustable brake.

**4.10.16 UNITS TO BE EQUIPPED WITH THE FOLLOWING ITEMS:**

Changed to read:

4.10.16.16 DELETED

Changed to read:

4.10.16.17 DELETED

Changed to read:

4.10.31 BOOM LENGTH: Maximum 22 feet, minimum 21 feet, without telescoping boom.

**4.10.41 ADDITIONAL REQUIREMENTS:**

Changed to read:

4.10.41.1 Install a safety cradle around operator seat approximately 3-inches wider than seat, level with the seat in the folded position, and not more than 18" inches to the rear. Material to be 1 1/4-inches steel tubing firmly mounted and must not interfere with operator's range of motion. Unit shall have a main engine cutoff switch to be equipped in the grapples operator area.

Changed to read:

4.10.41.7 Front Bumper mounted hydraulic or electric winch - 12,000 capacity. Minimum 100 feet.

Changed to read:

<b>4.11</b>	<b>ITEM</b>	<b>QUANTITY</b>	<b>DESCRIPTION</b>
	9	1	>26,000 Minimum GVWR 5 Cubic Yard Dump Truck

Changed to read:

4.11.1 ENGINE: Minimum 6 cylinder with not less than 210 HP at 2,500M; 520 lb ft torque.

Changed to read:

4.11.2 GVWR: Minimum 26,000 lbs

Changed to read:

4.11.3 TRANSMISSION/DRIVE: Allison 2500 RDS; or equivalent.

Changed to read:

4.11.5 TIRES & WHEELS: Six (6) 11R22.5, 10-hole steel disc wheel equipped with truck. Loose lug indicators on front and rear wheels.

Changed to read:

4.11.6 BRAKES: Air drum brake for front and rear wheels. Minimum 13 CFM compressor, Midland Pure Air Plus Dryer Model DA33100 or equal with automatic drain valves Model KN24000 or equal on all tanks Quick connect couplings to be located in a protected area near the front bumper. Couplings will not be mounted to the bumper. Female coupling ½" Milton M Type or approved equal to air tanks.

Changed to read:

4.11.7 FUEL SYSTEM: Fuel tank shall hold a minimum of 50 gallons of Ultra Low Sulfur Diesel. Diesel Exhaust Fluid (DEF) Gauge inside of cab

Changed to read:

4.11.8 SEATING: Capacity to be for three (3) individuals. Driver seat to be reclining with high back, and passenger seating to be 2 man bench type.

Added:

4.11.11 UNIT TO BE EQUIPPED WITH THE FOLLOWING ADDITIONAL EQUIPMENT:

Added all:

- 4.11.11.1 Minimum one (1) electrical and one (1) air horns.
- 4.11.11.2 Integral power steering.
- 4.11.11.3 Turn indicators, front and rear, stop and tail lights.
- 4.11.11.4 Tachometer.
- 4.11.11.5 Adjustable steering column.
- 4.11.11.6 Cigar lighter/Power port for use with cell Phone
- 4.11.11.7 Water temperature, oil pressure and volt or amp gauges.
- 4.11.11.8 DOT reflector flare kit.
- 4.11.11.9 Electronic back up alarm.
- 4.11.11.10 5 lb. fire extinguisher.
- 4.11.11.11 Fixed interval wiper control with windshield washer.
- 4.11.11.12 Minimum four (4) factory installed up-fitter switches

Changed to read:

4.11.12 STANDARD BODY CONSTRUCTION: Body to be 10' X 7' inside and be constructed of minimum 7 gauge steel. Body shall have a 2" radius between sides and floor to provide easier and cleaner discharge of load. Sides shall be adequately side braced and rub rails be sloped dirt-free self-cleaning type. All welds shall be continuous on floor side, head seams, braces, etc., NO SKIP WELDS. Side boards to be minimum 2" x 6" x ¼" structural rectangular tubing. Long sills shall be constructed of minimum 5" I-beam with a ¼" web. Crossmembers shall be constructed of minimum 4" I-beam with a 3/16" web. Crossmembers to be on maximum 12" centers, must extend under rub rails and side post, be gusseted to body long sills and welded to long sills on all sides. Rear corner posts shall be a minimum of 10" wide and constructed of minimum 7 gauge steel which meets the above mentioned standard. Body shall have a half size cab protector. Body sub-frame to have external guides installed to guide body into proper alignment with sub-frame, to prevent side movement during travel.

Changed to read:

4.11.13 TAILGATE: Tailgate shall be of the double-acting type, constructed with boxed type reinforcements on all sides. Base section must be of the sloped, dirt-free self-cleaning type. Upper tailgate hardware to be minimum 3/4" thick, flame cut steel. Tailgate locks must be

easy to manipulate and provide firm locking. Tailgate spreader chains to be attached directly under upper tailgate crossmember and configured to allow multiple positioning of tailgate to include horizontal. All welds to be continuous, no spot or skip welding.

Changed to read:

4.11.14 PIVOTS & PINS: All pivots shall be equipped with grease fittings.

Changed to read:

4.11.15 HYDRAULICS: Hoist shall be heavy duty, double lift arm hoist. Hoist to be type V, underbody hoist. Fifty degree (50 degree) dump angle +/-2 degrees, with truck chassis frame tapered at rear to form a positive stop with rails of dump box (a full mating surface is required) at maximum dump angle. Hydraulic pump to be close couple direct mount to power take off. Pump to be air controlled with feathering valve. Hydraulic system to include in-line hydraulic filter. Pump and P.T.O. controls to be firmly mounted in cab where it is easily accessible from driver's position. Cable or rod operated controls are not acceptable. Units will be provided with safety limit equipment designed to stop the dump body at its maximum dump angle. Safety limit equipment to include a flexible wand type switch and an air solenoid valve rated at not less than 125 PSI. Hoist installation must provide for use of the entire cylinder stroke when reaching maximum dump angle. The only acceptable substitute to the above requirement for a flexible wand type switch and air solenoid valve will be for a system designed with an internal bypass stroke limit system. Hoist assemblies with the tie rod design for cylinder construction are not acceptable.

Changed to read:

4.11.16 OTHER EQUIPMENT: All necessary clearance lights, marker lights, reflectors, mud flaps and mechanical backup alarm to be included and meet State Inspection requirements.

Changed to read:

4.11.17 DUMP BODY COVER ASSEMBLY: Tarp system to be equipped with steel arms. Motor will be mounted in the "down" position. A weather proof control panel, with a minimum 25-amp reset breaker, to operate tarp system will be located in conjunction with the hydraulic controls. Controls to operate the tarp system will not be placed in the cab of the tractor. Control to be accessible in the cab.

Changed to read:

4.11.18 MUD FLAPS: Mud flaps to be manufactured of a rubber base material are to be installed on both sides of vehicle, front and rear of rear tires. Front mud flaps to have anti-sail device. Rear flaps to be free swinging. Mud flaps to be minimum 1.5 lbs. per square foot and plain black without identifying markings.

4.12	ITEM	QUANTITY	DESCRIPTION
	10	2	60K Fifth Wheel Tractor Truck

Changed to read:

4.12.4 REAR AXLE: Tandem axle configuration- 6x4 tandem axle design. Single speed tandem drive, minimum 46,000 lbs capacity to be Rockwell RT 46-160 or equal. Gear ratio installed must be capable of 65 +/- 2 mph geared road speed at full engine governed RPM. Driver controlled differential locks on both rear axles.



Changed to read:

4.12.7 WHEELS AND TIRES: Front wheels to be 10 hole hub piloted, 22.5X 8 ¼ steel disk wheels, minimum 315/80R 22.5, steel belted tubeless radials, rated 10,000 lbs each. Front wheels to be highway tread design. Rear dual wheel application to be 11R 22.5 on/of, self cleaning, lug design. Loose lug indicators on front and rear wheels.

Changed to read:

4.12.8 BRAKES: Full air, S-cam type, with dust shields, manufacture's heavy duty brake shoes, spring set parking brakes. Front and rear Rockwell (or equal) automatic slack adjusters. Minimum 13CFM compressors, Midland Pure Air Plus Model DA33100 (or equal) with automatic drain valves Model KN24000 (or equal). Spring set parking brakes on both rear axles. All brake drums to be cast iron. Brake linings to be non-asbestos. Female coupling ½" Milton M Type or approved equal to air tanks located in an area near the front bumper for emergency brake release.

Changed to read:

4.12.9 FUEL SYSTEM: Single left or right hand steel tank mounted under cab or dual left and right hand step tanks mounted under cab. Minimum total fuel capacity to be 70 gallons. Fuel filtration to include primary and secondary filtering systems with automatic water separator. Diesel Exhaust Fluid (DEF) Gauge inside of cab

Changed to read:

4.12.11 EXHAUST SYSTEM: Vertical tailpipe, heat guard, turn out, mounted to allow full utilization of specified cab to trunion length.

Changed to read:

4.12.18 WET KIT: A truck mounted wet kit will be provided and installed. A transmission mounted PTO and direct mount pump will be installed on the truck transmission which produces 50-90% of engine RPM. A metal hydraulic reservoir to be mounted behind cab and be a minimum of 75 gallon capacity. Hydraulic controls to be mounted inside truck cab readily accessible to the driver. All valves and fittings required to make wet kit and trailer completely operational to include one female quick coupler (Aeroquip 6-5100-2516 or equal) and one male quick coupler (Aeroquip 6-5100-52-16B or equal). Wet kit to be filled to capacity with SAE 10 Hydraulic oil meeting MIL-L-46152 specifications. Wet kit pump shall be configured to be used with life bottom trailers.

#### PRICE SCHEDULE DESCRIPTION

Deleted:

ITEM	QUANTITY	DESCRIPTION
1	5	19,501-26,000 GVWR General Purpose Flatbed

DELETED

Changed to read:

ITEM	QUANTITY	DESCRIPTION
------	----------	-------------

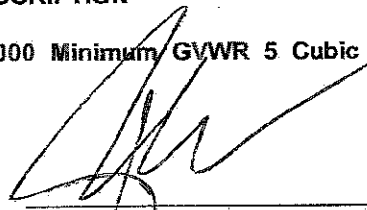
2                    1                    19,501 - 26,000 GVWR 15' Brush Dump Body and Tarp

Changed to read:

ITEM	QUANTITY	DESCRIPTION
8	1	>33,000 GVWR Grapppler Truck (Turnkey Unit)

Changed to read:

ITEM	QUANTITY	DESCRIPTION
9 Truck	1	26,000 Minimum GVWR 5 Cubic Yard Dump



Paul J. Calapa  
Purchasing Administrator  
Finance Department, Purchasing Division

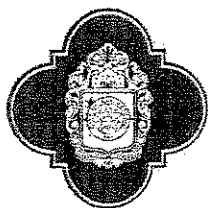
Date: 12/3/2015

Company Name: Grande Truck Center

Address: 4562 IH-10 East

City/State/Zip Code: SAN ANTONIO, TX 78232

Kent Hoffelt  
Signature



City of San Antonio

ADDENDUM II

SUBJECT: Formal Invitation For Bid (IFB) 6100006820 PURCHASE OF MEDIUM AND HEAVY DUTY TRUCKS scheduled to open Monday, December 7, 2015 date of issue November 6, 2015.

DATE: November 23, 2015

**THE ABOVE MENTIONED INVITATION FOR BID (IFB) IS HEREBY AMENDED AS FOLLOWS:**

1. **THE BID OPENING DATE REMAINS MONDAY, DECEMBER 7, 2015, 2:00 P.M. CENTRAL TIME.**
2. IFB Document Section 004 – Specifications / Scope of Services, Item Description changed to read:

4.5	ITEM	QUANTITY	DESCRIPTION
	3	3	35,000 Minimum GVWR 7 Cubic Yard Dump Truck

Changed to read:

4.5.3 TRANSMISSION: Minimum Allison 3000 RDS, or proven equal.

Description Changed to read:

4.6	ITEM	QUANTITY	DESCRIPTION
	4	2	19,500 - 26,000 GVWR 9 Cubic Yard Sanitation Truck

Changed to read:

4.6.2 GVWR: Minimum 19,500 lbs

Changed to read:

4.6.4 REAR AXLE CAPACITY: Maximum 13,660 lbs.

Changed to read:

4.6.9 FUEL SYSTEM: Fuel tank shall hold a minimum of 30 gallons of Ultra Low Sulfur Diesel. Diesel Exhaust Fluid (DEF) Gauge inside of cab.

4.7	ITEM	QUANTITY	DESCRIPTION
-----	------	----------	-------------

Changed to read:

4.7.3 TRANSMISSION: Manual transmission; Fuller FRO-16210C, or proven equal. 10 Speed.

Changed to read:

4.7.6 REAR SUSPENSION: Minimum 40,000 lbs capacity; Hendricks Spring Suspension or proven equal.

Changed to read:

4.7.16 FIFTH WHEEL: Unit to be a non-tilt convertible fifth wheel design Holland FW 35, 36" air slide or proven equal. Fifth wheel to extend above rear fenders as to not cause trailer contacting fender under operations in uneven terrain.

Changed to read:

4.7.17 WET KIT: A truck mounted wet kit will be provided and installed. A hot shift PTO mounted and a direct mount pump will be installed on the truck transmission which produces 50-90% of engine RPM. A metal hydraulic reservoir to be mounted behind cab and be a minimum of 75 gallon capacity. Hydraulic controls to be mounted inside truck cab readily accessible to the driver. All valves and fittings required to make wet kit and trailer completely operational to include one female quick coupler and one male quick coupler. Wet kit to be filled to capacity with SAE 10 Hydraulic oil. Wet kit pump shall be configured to be used with life bottom trailers.

Changed to read:

4.10	ITEM	QUANTITY	DESCRIPTION
	8	1	>33,000 GVWR Grappler Truck (Turnkey Unit)

Changed to read:

4.10.7 BRAKES: Full air disc brake with dust shields and ABS brake control system. Brakes to be the maximum O.E.M size offered of disc brakes front and rear to meet or exceed August 2011 Federal brake requirements. Air disc brake internal adjuster's front and rear. Minimum 15 CFM compressor, Midland Pure Air Plus dryer model DA-33100, or proven equal, with automatic drain valves Model KN24000 or equal on all tanks. It is preferred that the air tanks be grouped together, easily accessible to an operator standing at the side of the truck. If not possible, all air tank drains shall be plumbed to a manifold system where drain valves are at one location, easily accessible to an operator standing at the side of the truck. Spring set parking brakes on rear axle. Female coupling ½" Milton M Type or approved equal to air tanks. connected to the emergency side of air system, to be located in a protected area near the front bumper.

Changed to read:

4.10.11 TOW HOOKS/WINCH ASSEMBLY: Two front tow hooks installed on frame and strengthened sufficiently to lift, pull, and tow truck without damaging bumper or other body parts. A wire rope, minimum 1-inch diameter, shall be provided and fastened to both tow hooks to attach tow equipment. A winch assembly to be mounted on the frame of the truck. Electric type winch with minimum 12,000 pound single line pull. Minimum cable drum capacity two hundred feet (200'). Winch to have power in and out capability and be configured with a free spooling clutch and adjustable brake.

Changed to read:

4.10.41.7 DELETED

4.11	ITEM	QUANTITY	DESCRIPTION
	9	1	>26,000 Minimum GVWR 5 Cubic Yard Dump Truck

Added:

4.11.11.13 Cab is to be School Bus Yellow

4.12	ITEM	QUANTITY	DESCRIPTION
	10	2	60K Fifth Wheel Tractor Truck

Changed to read:

4.12.7 WHEELS AND TIRES: Front wheels to be 10 hole hub piloted; 22.5X 9 steel disk wheels, minimum 315/80R 22.5, steel belted tubeless radials, rated 10,000 lbs each. Front wheels to be highway tread design. Rear dual wheel application to be 11R 22.5 on/of, self cleaning, lug design. Loose lug indicators on front and rear wheels.

Changed to read:

4.12.15 FIFTH WHEEL: Holland FW-35, "36" air slide (or proven equal). Fifth wheel to extend above rear fenders as to not cause trailer contacting fender under operations in uneven terrain.

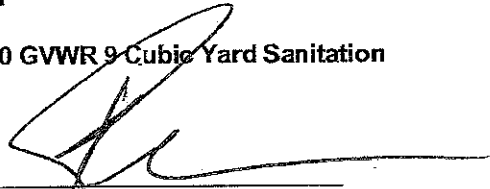
Changed to read:

4.12.19 PUSHER AXLE: To be configured as a tri axle, to be a minimum of 13,000 lbs and be air actuated to lift when not in operation. Ride height of a minimum 12 inches.

PRICE SCHEDULE DESCRIPTION

Description Changed to read:

ITEM	QUANTITY	DESCRIPTION
4	2	19,500 - 26,000 GVWR 9 Cubic Yard Sanitation



---

Paul J. Calapa  
Purchasing Administrator  
Finance Department, Purchasing Division

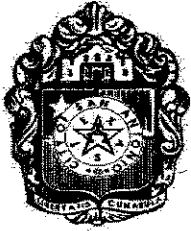
Date: 12/3/2015

Company Name: Grande Truck Center

Address: 4562 IH -10 East

City/State/Zip Code: San Antonio, TX 78219

Kent Hoffstad  
Signature



**CITY OF SAN ANTONIO**  
**PURCHASING AND GENERAL SERVICES DEPARTMENT**

FORMAL INVITATION FOR BID ("IFB") NO.: 6100006820

PURCHASE OF MEDIUM AND HEAVY DUTY TRUCKS

Date Issued: NOVEMBER 6, 2015

**BIDS MUST BE RECEIVED NO LATER THAN:**  
**2:00 P.M. CENTRAL TIME DECEMBER 7, 2015**

Bids may be submitted by any of the following means:

- Electronic submission through the Portal
- Hard copy in person or by mail

Address for hard copy responses:

Physical Address:

City Clerk's Office  
100 Military Plaza  
2<sup>nd</sup> Floor, City Hall  
San Antonio, Texas 78205

Mailing Address:

City Clerk's Office  
P.O. Box 839966  
San Antonio, Texas 78283-3966

For Hard Copy Submissions, Mark Envelope

"PURCHASE OF MEDIUM AND HEAVY DUTY TRUCKS"

Bid Due Date: 2:00 p.m. CENTRAL TIME, DECEMBER 7, 2015

Bid No.: 6100006820

Bidder's Name and Address

Bid Bond: None      Performance Bond: None      Payment Bond: None      Other: None

See Supplemental Terms & Conditions for information on these requirements.

Affirmative Procurement Initiative:

DBE / ACDBE Requirements:

See Instructions for Bidders and Attachments sections for more information on these requirements.

Pre-Submittal Conference \* YES

\* If YES, the Pre-Submittal conference will be held on NOVEMBER 12, 2015 at 10:00 AM at FLEET TRAINING ROOM, 329 S. FRIO ST., SAN ANTONIO, TX 78207

Staff Contact Person: LD MCGARITY, PROCUREMENT SPECIALIST II, P.O. Box 839966, San Antonio, TX 78283-3966.

Email: [ld.mcgarity@sanantonio.gov](mailto:ld.mcgarity@sanantonio.gov)

Phone: 210-207-2078

Fax: 210-207-4360

**002 - TABLE OF CONTENTS**

002 - TABLE OF CONTENTS ..... 2

003 - INSTRUCTIONS FOR BIDDERS ..... 3

004 - SPECIFICATIONS / SCOPE OF SERVICES ..... 9

005 - SUPPLEMENTAL TERMS & CONDITIONS ..... 31

006 - GENERAL TERMS & CONDITIONS ..... 34

007 - SIGNATURE PAGE ..... 39

008 - STANDARD DEFINITIONS ..... 40

009 - ATTACHMENTS ..... 42



## 003 - INSTRUCTIONS FOR BIDDERS

### Submission of Bids.

Submission of Hard Copy Bids. Submit one original bid, signed in ink, and two copies of the bid enclosed in a sealed envelope addressed to the City Clerk at the address and by the due date provided on the Cover Page. The name and address of Bidder, the date and hour of the bid opening, bid number and title of the bid solicitation shall be marked on the outside of the envelope(s). All times stated herein are Central Time. Any bid or modification received after the time and date stated on the Cover Page shall be rejected.

Submission of Electronic Bids. Submit one bid electronically by the due date provided on the Cover Page. All times stated herein are Central Time. Any bid or modification received after the time and date stated on the Cover Page shall be rejected. All forms in this solicitation which require a signature must have a signature affixed thereto, either by manually signing the document, prior to scanning it and uploading it with your submission, or affixing it electronically.

Bids sent to City by facsimile or email shall be rejected.

Modified Bids. Bids may be modified provided such modifications are received prior to the time and date set for submission of bids, and submitted in the same manner as original bids. For hard copy bids, provide a cover letter with the bid, indicating it is a modified bid and that the Original bid is being withdrawn. For electronic bids, a modified bid will automatically replace a prior bid submission. See below for information on submitting Alternate Bids.

City shall not be responsible for lost or misdirected bids or modifications.

Bidders must sign the Signature Page on hard copy bids and return the IFB document to City. For electronic bids, Bidder's electronic submission, with accompanying affirmations, constitutes a binding signature for all purposes.

Bidders are cautioned that they are responsible for the security of their log on ID and password, since unauthorized use could result in Bidder's being held liable for the submission.

Certified Vendor Registration Form. If Bidder has not completed City's Certified Vendor Registration (CVR) Form, Bidder is required to do so prior to the due date for submission of bids. The CVR form may be accessed at: <http://www.sanantonio.gov/purchasing/>. Bidders must identify the correct name of the entity that will be providing the goods and/or services under the contract. No nicknames, abbreviations (unless part of the legal title), shortened or short-hand names will be accepted in place of the full, true and correct legal name of the entity.

Alternate Bids. Alternate bids may be allowed at the sole discretion of City.

Hard Copy Alternate Bids. Alternate bids must be submitted in separate sealed envelopes in the same manner as submission of other bids. Alternate bids must be marked consecutively on the envelope as Alternate Bid No. 1, 2, etc. Failure to submit alternate bids in separate envelopes may result in rejection of a bid.

Electronic Alternate Bids Submitted Through the Portal. All alternate bids are recorded with original bids when submitted electronically.

Catalog Pricing. (This section applies to bids using catalog pricing.)

The bid will be based on manufacturer's latest dated price list(s). Said price list(s) must denote the manufacturer, latest effective date and price schedule.

Bidders shall be responsible for providing one copy of the manufacturer's catalog for each manufacturer for which a bid is submitted. Bidder shall provide said catalog at the time of submission of its bid. Manufacturers' catalogs may be submitted in any of the following formats: paper copy or CD ROM for bids submitted on paper, or PDF file for bids submitted electronically.

Bidders may submit price lists other than the manufacturer's price list. Said price list(s) must denote the company name, effective date and price schedule. These price lists are subject to approval of City Purchasing & General Services Department.

Specified items identified herein, if any, are for overall bid evaluation and represent the commonly and most used items. Net prices entered for those specified items must reflect the actual price derived from quoted price list less all discounts offered.

#### Restrictions on Communication.

Bidders are prohibited from communicating with: 1) elected City officials and their staff regarding the IFB or bids from the time the IFB has been released until the contract is posted as a City Council agenda item; and 2) City employees from the time the IFB has been released until the contract is awarded. These restrictions extend to "thank you" letters, phone calls, emails and any contact that results in the direct or indirect discussion of the IFB and/or bid submitted by Bidder. Violation of this provision by Bidder and/or its agent may lead to disqualification of Bidder's bid from consideration.

Exceptions to the restrictions on communication with City employees include:

Bidders may ask verbal questions concerning this IFB at the Pre-Submittal Conference.

Bidders may submit written questions, or objections to specifications, concerning this IFB to the Staff Contact Person listed on the Cover Page on or before 7 calendar days prior to the date bids are due. Questions received after the stated deadline will not be answered. Questions submitted and City's responses will be posted with this solicitation. All questions shall be sent by e-mail or through the portal.

Bidders may provide responses to questions asked of them by the Staff Contact Person after bids are received and opened. The Staff Contact Person may request clarification to assist in evaluating Bidder's response. The information provided is not intended to change the bid response in any fashion. Such additional information must be provided within two business days from City's request.

Bidders and/or their agents are encouraged to contact the Small Business Office of the International and Economic Development Department for assistance or clarification with issues specifically related to the City's Small Business Economic Development Advocacy (SBEDA) Program policy and/or completion of the SBEDA form(s), if any. The point of contact is identified on the Cover Page. Contacting the Small Business Office regarding this IFB after the bid due date is not permitted. If this solicitation contains Affirmative Procurement Initiatives, it will be noted on the Cover Page.

If this solicitation contains DBE/ACDBE requirements, bidders and/or their agents may contact the Aviation Department's DBE/ACDBE Liaison Officer for assistance or clarification with issues specifically related to the DBE/ACDBE policy and/or completion of the required form(s). Point of contact is Ms. Lisa Brice, who may be reached via telephone at (210) 207-3505 or through e-mail at [lisa.brice@sanantonio.gov](mailto:lisa.brice@sanantonio.gov). Bidders and/or their agents may contact Ms. Brice at any time prior to the due date for submission of bids. Contacting her or her office regarding this IFB after the bid due date is not permitted. If this solicitation contains DBE/ACDBE requirements, it will be noted on the Cover Page.

#### Pre-Submittal Conference.

If a Pre-Submittal Conference is scheduled, it will be held at the time and place noted on the Cover Page. Bidders are encouraged to prepare and submit their questions in writing in advance of the Pre-Submittal Conference in order to expedite the proceedings. City's responses to questions received prior to the conference may be distributed at the Pre-Submittal Conference and posted with this solicitation. Attendance at the Pre-Submittal Conference is optional, but highly encouraged.

This meeting place is accessible to disabled persons. Call the Staff Contact Person for information on the location of the wheelchair accessible entrance, or to request an interpreter for the deaf. Interpreters for the deaf must be requested at least 48 hours prior to the meeting. For other assistance, call (210) 207-7245 Voice/TTY.

Any oral response given at the Pre-Submittal Conference that is not confirmed in writing and posted with this solicitation shall not be official or binding on the City.

#### Changes to IFB.

Changes to this IFB made prior to bid opening shall be made directly to the original IFB. Changes are captured by creating a replacement version each time the IFB is changed. It is Bidder's responsibility to check for new versions

until the bid due date. City will assume that all bids received are based on the final version of the IFB as it exists on the day bids are due.

No oral statement of any person shall modify or otherwise change or affect the terms, conditions or specifications stated in the IFB.

#### Preparation of Bids.

All information required by the IFB must be furnished or the bid may be deemed non-responsive and rejected. Any ambiguity in the bid as a result of omission, error, unintelligible or illegible wording shall be construed in the favor of City.

Correct Legal Name. If Bidder is found to have incorrectly or incompletely stated the name of the entity that will provide goods and/or services, the bid may be rejected.

Line Item Bids. Any bid that is considered for award by each unit or line item, must include a price for each unit or line item for which Bidder wishes to be considered. All bids are awarded on the basis of low line item, low total line items, or in any other combination that serves the best interest of City, unless City designates this solicitation as an "all or none" bid in the Supplemental Terms & Conditions.

All or None Bids. Any bid that is considered for award on an "all or none" basis must include a price for all units or line items. In an "All or None" bid, a unit price left blank shall result in the bid being deemed nonresponsive and disqualified from consideration. An "All or None" bid is one in which City will award the entire contract to one bidder only.

Delivery Dates. Proposed delivery dates must be shown in the bid form where required and shall include weekends and holidays, unless specified otherwise in this IFB. Proposed delivery times must be specific. Phrases such as "as required", "as soon as possible" or "prompt" may result in disqualification of the bid. Special delivery instructions, if any, may be found in the Specifications / Scope of Services section of this document, or in the Purchase Order.

Tax Exemption. The City of San Antonio is exempt from payment of federal taxes, and State of Texas limited sales excise and use taxes. Bidders must not include such taxes in bid prices. An exemption certificate will be signed by City where applicable upon request by Bidder after contract award.

#### Description of Supplies.

Any brand names, catalog or manufacturer's reference used in describing an item is merely descriptive, and not restrictive, unless otherwise noted, and is used only to indicate quality and capability desired.

Bids submitted for comparable items must clearly identify the proposed product, model, and type, as applicable, and shall include manufacturer specification sheet(s) for each proposed item with bid response. Product specifications shall be the most current available and be sufficiently detailed and descriptive so as to permit City to determine the item's suitability and compliance with bid specifications. City shall be the sole judge of equality and suitability of comparable items.

Pro-rata adjustments to packaging and pricing may be allowed at the sole discretion of City.

Samples, Demonstrations and Pre-award Testing. If requested by City, Bidder shall provide product samples, demonstrations, and/or testing of items bid to ensure compliance with specifications prior to award of the contract. Samples, demonstrations and/or testing must be provided within 7 calendar days of City's request. Failure to comply with City's request may result in rejection of a bid. All samples (including return thereof), demonstrations, and/or testing shall be at Bidder's expense. Samples will be returned upon written request. Requests for return of samples must be made in writing at the time the samples are provided. Otherwise, samples will become property of City at no cost to City. Samples that are consumed or destroyed during demonstrations or testing will not be returned.

#### Estimated Quantities for Annual Contracts.

Designation as an "annual" contract is found in the contract's title on the Cover Page of this document. The quantities stated are estimates only and are in no way binding upon City. Estimated quantities are used for the purpose of evaluation. City may increase or decrease quantities as needed. Where a contract is awarded on a unit price basis, payment shall be based on the actual quantities supplied.

Bidders shall thoroughly examine the drawings, specifications, schedule(s), instructions and all other contract documents.

Bidders shall make all investigations necessary to thoroughly inform themselves regarding plant and facilities for delivery of material and equipment, or conditions and sites/locations for providing goods and services as required by this IFB. No plea of ignorance by Bidder will be accepted as a basis for varying the requirements of City or the compensation to Bidder.

Confidential or Proprietary Information. All bids become the property of the City upon receipt and will not be returned. Any information deemed to be confidential by Bidder should be clearly noted; however, City cannot guarantee that it will not be compelled to disclose all or part of any public record under the Texas Public Information Act, since information deemed to be confidential by Bidder may not be considered confidential under Texas law, or pursuant to a Court order. Note that pursuant to state law, bids are opened publicly and read aloud. In addition, bids are tabulated and posted to the City's website, so shall not be considered proprietary or confidential.

Interlocal Participation.

City may engage in cooperative purchasing with other governmental entities or governmental cooperatives ("Entity" or "Entities") to enhance City's purchasing power. At City's sole discretion and option, City may inform other Entities that they may acquire items listed in this IFB. If this contract will be subject to cooperative purchasing, such fact will be indicated in the Supplemental Terms and Conditions portion of this IFB. Such acquisition(s) shall be at the prices stated in the bid, and shall be subject to Bidder's acceptance. Entities desiring to acquire items listed in this IFB shall be listed on a rider attached hereto, if known at the time of issuance of the IFB. City may issue subsequent riders after contract award setting forth additional Entities desiring to utilize this bid.

Bidder must sign and submit the rider, if attached to this IFB, with its bid, indicating whether Bidder wishes to allow other Entities to use its bid. Bidder shall sign and return any subsequently issued riders within ten calendar days of receipt. Bidder's decision on whether to allow other Entities to use the bid shall not be a factor in awarding this IFB.

Costs of Bidding. Bidder shall bear any and all costs that are associated with the preparation of the Bid, attendance at the Pre-Submittal Conference, if any, or during any phase of the selection process.

Rejection of Bids.

City may reject any and all bids, in whole or in part, cancel the IFB and reissue the solicitation. City may reject a bid if:

Bidder misstates or conceals any material fact in the bid; or

The bid does not strictly conform to law or the requirements of the solicitation;

The bid is conditional; or

Any other reason that would lead City to believe that the bid is non-responsive or Bidder is not responsible.

City, in its sole discretion, may also waive any minor informalities or irregularities in any bid, such as failure to submit sufficient bid copies, failure to submit literature or similar attachments, or business affiliation information.

Variations and Exceptions to Bid Terms. In order to comply with State law, bidders must submit bids on the same material terms and conditions. Bids that contain material variances or exceptions to the terms and conditions, including additional terms and conditions, will be rejected.

Changes to Bid Form. Bids must be submitted on the forms furnished. Bids that change the format or content of City's IFB will be rejected.

Withdrawal of Bids. Bids may be withdrawn prior to the time set for the bid opening. Written notice of withdrawal shall be provided to the City Clerk for bids submitted in hard copy. Bids submitted electronically may be withdrawn electronically.

Bid Opening. Bids will be opened publicly and read aloud at 2:30 P.M. central time on the day the bids are due. Bid openings are held at Purchasing & General Services, Riverview Tower, 11<sup>th</sup> Floor, 111 Soledad, Suite 1100, San Antonio, Texas 78205.

Evaluation and Award of Contract.

Per Section §252.043 of the Texas Local Government Code, the contract will be awarded to the lowest responsible bidder. The Purchasing Division evaluates bids for responsiveness and the responsibility of the bidder, and makes a recommendation to the City Council. The City Council makes the final determination regarding award.

City reserves the right to make an award on the basis of low line item, low total line items, or in any other combination that serves the best interest of City, unless City designates this solicitation as an "all or none" bid in the Supplemental Terms & Conditions.

A written award of acceptance (manifested by a City Ordinance) and Purchase Order furnished to Bidder results in a binding contract without further action by either party. Vendor must have the Purchase Order before making any delivery.

City reserves the right to utilize historical usage data as a basis for evaluation of bids when future usages are unable to be determined.

Breaking of tie bids shall be in accordance with the Texas Local Government Code §271.901.

City reserves the right to delete items prior to the awarding of the contract, and purchase said items by other means.

#### Inspection of Facilities/Equipment.

Depending on the nature of the IFB, Bidders' facilities and equipment may be a determining factor in making the bid award. All bidders may be subject to inspection of their facilities and equipment.

Prospective bidders must prove beyond any doubt to City Purchasing Administrator that they are qualified and capable of performing the contract's requirements.

#### Prompt Payment Discount.

Provided Bidder meets the requirements stated herein, City shall take Bidder's offered prompt payment discount into consideration. The evaluation will not be based on the discount percentage alone, but rather the net price as determined by applying the discount to the bid price, either per line item or total bid amount. However, City reserves the right to reject a discount if the percentage is too low to be of value to City, all things considered. City may also reject a discount if the percentage is so high as to create an overly large disparity between the price City would pay if it is able to take advantage of the discount and the price City would pay if it were unable to pay within the discount period. City may always reject the discount and pay within the 30 day period, at City's sole option.

City will not consider discounts that provide fewer than 10 days to pay in order to receive the discount.

For example, payment terms of 2% 5, Net 30 will NOT be considered in bid evaluations or in the payment of invoices. However, payment terms of 2% 10, Net 30 will result in a two percent reduction in the bid price during bid evaluation, and City will take the 2% discount if the invoice is paid within the 10 day time period.

Tabulations. The Purchasing Division will post preliminary tabulations within 7 days of the advertised bid opening. The information on these tabulations will be posted for informational purposes only, and will be posted as read during the bid opening. This tabulation is not a notice of award of the contract. All bids are subject to review for completeness, accuracy and compliance with the terms set forth in the bid documents.

#### Bid Protest Procedures.

Any bidder who is adversely affected in connection with the solicitation, evaluation, or proposed award of a contract may file a protest with the Director and appeal any adverse decision to the City Manager of the City of San Antonio.

Bidder must deliver a written notice of protest to the Director within 7 calendar days of the posting of the intent to award. If Bidder does not file a written notice within this time, Bidder will have waived all rights to formally protest the intent to award. It is Bidder's responsibility to check the City's website posting.

Debriefing. Debriefing of contract award is available upon request and after award of the Contract.

Prohibited Financial Interest. The Charter of the City of San Antonio and its Ethics Code prohibit a City officer or employee, as those terms are defined in the Ethics Code, from having a financial interest in any contract with City or any

City agency such as City-owned utilities. An officer or employee has a "prohibited financial interest" in a contract with City or in the sale to City of land materials, supplies or service, if any of the following individual(s) or entities is a party to the contract or sale: the City officer or employee; his parent, child or spouse; a business entity in which he or his parent, child or spouse owns ten (10) percent or more of the voting stock or shares of the business entity, or ten (10) percent or more of the fair market value of the business entity; or a business entity in which any individual or entity above listed is a subcontractor on a City contract, a partner or a parent or subsidiary business entity.

Conflict of Interest. Effective January 1, 2006, Chapter 176 of the Texas Local Government Code requires that persons, or their agents, who seek to contract for the sale or purchase of property, goods, or services with the City, shall file a completed conflict of interest questionnaire with the City Clerk not later than the 7th business day after the date that the person: (1) begins contract discussions or negotiations with the City; or (2) submits to the City an application, response to a request for proposals or bids, correspondence, or another writing related to a potential agreement with the City. The conflict of interest questionnaire form is available from the Texas Ethics Commission at [www.ethics.state.tx.us](http://www.ethics.state.tx.us). Completed conflict of interest questionnaires may be mailed or delivered by hand to the Office of the City Clerk. If mailing a completed conflict of interest questionnaire, mail to: Office of the City Clerk, P.O. Box 839966, San Antonio, TX 78283-3966. If delivering a completed conflict of interest questionnaire, deliver to: Office of the City Clerk, City Hall, 2nd floor, 100 Military Plaza, San Antonio, TX 78205." Bidder should consult its own legal advisor with questions regarding the statute or form. Do not include this form with your sealed bid. The Purchasing Division will not deliver the form to the City Clerk for you.

State of Texas Conflict of Interest Questionnaire (Form CIQ). Chapter 176 of the Texas Local Government Code requires that persons, or their agents, who seek to contract for the sale or purchase of property, goods, or services with the City, shall file a completed Form CIQ with the City Clerk if those persons meet the requirements under 176.006(a) of the statute.

By law this questionnaire must be filed with the City Clerk not later than the 7th business day after the date the vendor becomes aware of facts that require the statement to be filed. See Section 176.006(a-1), Texas Local Government Code.

Form CIQ is available from the Texas Ethics Commission by accessing the following web address:

[https://www.ethics.state.tx.us/filinginfo/conflict\\_forms.htm](https://www.ethics.state.tx.us/filinginfo/conflict_forms.htm)

In addition, please complete the **City's Addendum to Form CIQ (Form CIQ-A)** and submit it with Form CIQ to the Office of the City Clerk. The Form CIQ-A can be found at:

<http://www.sanantonio.gov/atty/ethics/pdf/OCC-CIQ-Addendum.pdf>

When completed, the CIQ Form and the CIQ-A Form should be submitted together, either by mail or hand delivery, to the Office of the City Clerk. If mailing, mail to:

Office of the City Clerk, P.O. Box 839966, San Antonio, TX 78283-3966.

If delivering by hand, deliver to:

Office of the City Clerk, City Hall, 2nd floor, 100 Military Plaza, San Antonio, TX 78205.

Do not include these forms with your sealed bid. The Purchasing Division will not deliver the forms to the City Clerk for you.

## 004 - SPECIFICATIONS / SCOPE OF SERVICES

- 4.1 **SCOPE:** The City of San Antonio is soliciting bids to provide 21 medium and heavy trucks in accordance with the Building and Equipment Services Department specifications listed herein. This equipment will be utilized by the Aviation, Solid Waste Management, Parks & Recreation, Office of Downtown Operations, Convention Facilities, and Transportation and Capital Improvements departments for various construction and/or repair projects across the City.
- 4.2 **GENERAL CONDITIONS:** The following general conditions will apply to all items within this bid unless specifically excluded within any item.
- 4.2.1 Equipment shall be manufacturer's latest design, standard production model and shall have been manufactured within the last 12 months from the date of delivery to City. All components shall be installed new, unused, and shall be manufacturer's standard equipment unless otherwise specified or replaced herein. Equipment is to be inspected, serviced, and adjusted in accordance with manufacturer's recommended pre-delivery checklist, and ready for operation upon delivery. Manufacturer's Statement of Origin (MSO) showing manufacture within the last 12 calendar months, and completed pre-delivery checklists will be required at delivery. Equipment offered under the below listed specifications will be considered unacceptable if, for any reason, the equipment's, or major component's, long term availability on the U.S. market, or in the local area, is in doubt.
- 4.2.2 Equipment must include the maximum standard manufacturer's warranty on all components, with parts and service included. All components, parts and service shall include, as a minimum, a one year unlimited mileage/hours warranty. All warranty times shall start the date the vehicle is placed in service as determined by the City, not on the delivery date. The dealer will be notified by letter of the in-service date of each vehicle by serial number. Bidder shall fully explain the warranty by attaching separate, authenticated correspondence or entering such information in the remarks section of this bid. Warranty, reliability, and replacement captive parts costs and availability shall be a consideration in award of this bid. Warranty parts and service must be available within 50 mile radius of San Antonio City Hall from and by a factory-authorized dealer (NO EXCEPTIONS). In the event that a unit purchased from a vendor requires transportation outside of Bexar County for a repair covered under warranty, that vendor shall be responsible for paying for all cost associated with the transportation to and from the warranty repair facility. If the vendor chooses to travel to inspect the unit to determine if the repair needed is covered under warranty, all expenses shall be paid for by the vendor. All warranty repairs must be completed within three (3) business days from the date equipment is delivered to the vendor unless otherwise approved by the appropriate City of San Antonio BESD Fleet Operations Manager or designate. Bidders must certify that all repairs needed after the warranty period will be available within 50 mile radius of San Antonio City Hall.
- 4.2.3 **DELIVERY** - All deliveries are to be made inside the City limits of San Antonio. Vendor must deliver equipment to the following address:
- City of San Antonio,  
Northeast Service Center,  
10303 Tool Yard, Bldg #2,  
San Antonio, TX 78233  
Attn: Acquisitions
- Delivery to a non-specified location will result in non-acceptance of the equipment by the City. All deliveries must be pre-arranged with a minimum 24-hour notification, NO EXCEPTIONS. Vehicles will be accepted 8:00 A.M. to 3:00 P.M. CST. Vehicles with more than 3,500 miles accumulated on the odometer will not be accepted. All vehicles are required to have a full tank(s) when delivered to City specified location.
- 4.2.4 **Literature and Equipment Manuals** – The supplier shall furnish (4) complete sets per vehicle type, of the following: Parts Manual, Maintenance Manual, Service Manual, and Operators Manual, or (5) CD ROM per model of all equipment, accessories, and components, or (4) USB drives, or accessible on-line through manufacturer's website. The supplier shall furnish (4) complete sets of detailed literature and specifications of each vehicle type upon contract award.
- 4.2.5 **Training** – The City may require operational and maintenance training for equipment. If so, training shall be provided by a qualified instructor and conducted at a designated City facility. The City will not pay any cost incurred by the successful bidder in providing training. Training shall be provided no later than 30 days after the City takes delivery and accepts the new equipment at the specified City facility. Unless otherwise specified,

training shall consist of a minimum (1) eight hour day. Payment for new equipment will not be made to successful bidder until training is completed. Operator training shall be coordinated with Fleet Operations staff. For equipment requiring more complex operation the City may require job site operational training that could last multiple days to assure proper machine operation.

- 4.2.6 DEMONSTRATIONS – The City may request, from selected vendors, a demonstration of proposed equipment. The City is under no obligation to demo all products proposed by vendors. If a demonstration is required, the City's Fleet Operations Manager will contact the vendor to schedule the product demonstration. This request will be considered an integral part of the bid process. Failure to comply may result in the bid being deemed non-responsive, and therefore, not considered for award. Upon request, the vendor shall have a minimum of five (5) working days to provide and deliver the equipment to a location specified by City for the demonstration. The vendor shall make the equipment available for a minimum of five (5) working days at City's location, but not to exceed ten (10) working days.
- 4.2.7 EVALUATION – In the event that a demonstration is required, the equipment will be evaluated to determine if the unit meets the minimum bid specifications at the City's discretion.
- 4.2.8 All prices will be quoted F.O.B., designated City of San Antonio facility. All bids will be submitted in triplicate and will include complete manufacturer's specifications for each model being bid.
- 4.2.9 Units shall be equipped with OEM, or equal, warning and shut down systems for low oil pressure and or high coolant temperature at a minimum. This requirement applies to all bid line items.
- 4.2.10 The Manufacturer's Statement of Origin (MSO), Dealer Temporary license plates/tags, proper Invoice, Texas state inspection certificate, signed 130U form and **State Weight Certificate/slip (for trucks over one ton)** are required upon delivery of each vehicle. Any of these missing items will deem the vehicle delivered *Not as Specified* and will not be processed or accepted vehicle all required paperwork is completed and provided to Fleet Acquisition.
- 4.2.11 All bodies and components in this bid will be installed in accordance with the appropriate complete Vehicle Data Manual. Certification of compliance will be posted on the left door post of the vehicle. Except for manufacturer's data plates (maximum 4" x 6"), vendor or manufacturer's identifying markings (decals and plates) will not be applied to the vehicle or mounted components. Installation will be completed in compliance with Federal Motor Vehicle Department of Transportation Standards and Texas State Highway requirements. Installation of body and accessories on City furnished vehicles will be accomplished by drilling holes in the frame. Welding on or cutting of frame is **not** authorized forward of the rear spring hanger or support. Bidders will be responsible for the relocation of any truck components to facilitate installation of the body and equipment. Such relocation must be included as part of the basic bid. No dealership nameplates, markings or decals will be permitted on the vehicles.
- 4.2.12 All vehicles are to be equipped at the factory with air conditioning/Heater/defroster, (Maximum capacity cooling system offered by manufacturer), full headliner minimum OEM AM/FM radio, power steering, power ABS brakes, power and heated mirrors and manual tilt steering wheel. Each unit shall have a **minimum three (3) sets of keys. Convenience Features:** Vehicle shall be equipped with adjustable seats; intermittent wipers, cruise control. All lighting shall be LED where available.
- 4.2.13 All units shall be equipped with safety equipment as required by the Federal Government. All units shall **MEET ALL SAFETY STANDARDS AND REQUIREMENTS.**
- 4.2.14 **Any diesel engine being bid must conform to latest NOx EPA and GHG emission standard in effect at the time of offer. Vendor must supply a copy of the latest Emissions Certificate of Conformity for the vehicles bid. Only engines using selective catalytic reduction (SCR) technology will be accepted.**
- 4.2.15 All vehicles provided shall be equipped with OEM tinted glass.
- 4.2.16 Vehicles provided shall have a minimum of a driver's seat and one passenger seat, unless otherwise specified.
- 4.2.17 Exterior and Interior Color: Unless otherwise specified, each vehicle shall have a white exterior body color. Unless otherwise specified, interior coloring shall be dark grey.
- 4.2.18 **BRAND NAMES:** Manufacturer names, trade names, brand names, and product numbers used herein are for the purpose of describing and establishing tested, compatible, approved and acceptable products that are of the type and quality required by the City. The use of pre-approved brand names are not intended to limit competition;



therefore the phrase "or equal" is added. For purposes of this contract, the proposed "or equal" products shall require close adherence to the established standards of performance and quality inherently derived and reasonably expected from the brand named products specified herein. The City shall be the sole judge of equality.

4.3	ITEM	QUANTITY	DESCRIPTION
	1	5	19,501-26,000 GVWR General Purpose Flatbed

DELETED:

4.4	ITEM	QUANTITY	DESCRIPTION
	2	1	19,501 - 26,000 GVWR 15' Brush Dump Body and Tarp

- 4.4.1 ENGINE: Diesel, minimum 260 H.P. ✓
- 4.4.2 GVWR: Maximum 26,000 lbs. ✓
- 4.4.3 TRANSMISSION: Allison RDS 3000, or proven equal. ✓
- 4.4.4 REAR AXLE: Minimum 17,500 lbs., single speeds, ratio geared to attain 65 mph +/-2 mph, equipped with hub piloted steel hubs, out-board mount type brake drums. Stemco (or equal) oil rear seals. ✓
- 4.4.5 FRONT AXLE: Minimum 8,500 lbs., equipped with hub piloted steel hubs, out-board mount type brake drums with Stemco (or equal) front wheel visible cap bearing oiler. Front shock absorbers to be heaviest duty available for specified axle. ✓
- 4.4.6 SUSPENSION: Equipped with manufacturer's heavy duty suspension applicable to axle ratings and overall gross vehicle weight ✓
- 4.4.7 WHEELS AND TIRES: Wheels to be 10 hole hub piloted steel disk wheel, minimum 11R-22.5R steel belted tubeless radials, minimum load range G tires. Front tires to be conventional tread. Rear dual wheel application to be on-off, self-cleaning, lug design. Loose lug indicators on front and rear wheels. ✓
- 4.4.8 BRAKES: Full air, S-cam type, manufacturer's heavy duty brake shoes, spring set parking brakes. Front and rear automatic slack adjusters. Gear or belt driven compressor. Minimum 13 CFM compressor, Midland Pure Air Plus Dryer Model DA33100 or equal with automatic drain valves Model KN24000 or equal on all tanks. Spring set parking brakes on both rear axles. Quick connect couplings to be located in a protected area near the front bumper. Couplings will not be mounted to the bumper. Female coupling 1/2" Milton M Type or approved equal to air tanks. ✓
- 4.4.9 FUEL SYSTEM: To be equipped with under cab minimum 45 gallon left or right hand tanks. Fuel filtration system to include primary and secondary type fuel filters with automatic water separator. Diesel Exhaust Fluid (DEF) Gauge inside of cab. ✓
- 4.4.10 STEERING: Integral power steering.
- 4.4.11 FRAME: Minimum 75,000 PSI rail, 900,000 RBM. ✓
- 4.4.12 EXHAUST SYSTEM: Exhaust system to be vertically mounted with turn out. ✓
- 4.4.13 UNIT TO BE EQUIPPED WITH THE FOLLOWING ADDITIONAL EQUIPMENT:
  - 4.4.13.1 Minimum one (1) electrical and one (1) air horns. ✓
  - 4.4.13.2 Turn indicators, front and rear, stop and tail lights. ✓
  - 4.4.13.3 Tachometer. ✓
  - 4.4.13.4 Adjustable steering column. ✓
  - 4.4.13.5 Cigar lighter/Power port for use with cell Phone ✓
  - 4.4.13.6 Water temperature, oil pressure and volt or amp gauges. ✓

- 4.4.13.7 DOT reflector flare kit mounted in cab or tool box. ✓
- 4.4.13.8 Electronic back up alarm. ✓
- 4.4.13.9 5 lb. fire extinguisher. ✓
- 4.4.13.10 Fixed interval wiper control with windshield washer. ✓
- 4.4.13.11 Seating: Vinyl or premium synthetic upholstery. Driver seat to be reclining with high back, and passenger seating to be 2 man bench type. ✓
- 4.4.13.12 Minimum four (4) factory installed up-fitter switches. ✓

**SPECIFICATIONS FOR 15' PLATFORM, TARP AND DUMP:**

- 4.4.14 Retractable tarp to be controlled from inside the cab with electronic switches.
- 4.4.15 Dump is to be ALL STEEL BODY and must be hydraulic and have PTO inside cab to operate.
- 4.4.16 LENGTH: Fifteen feet (15')
- 4.4.17 WIDTH: Ninety six inches (96")
- 4.4.18 LONGITUDINAL SILLS: Minimum four inch (4") channel, 5.6 pound, high strength steel
- 4.4.19 CROSS SILLS: Minimum four inch (4") formed box channel of "C" section high strength steel, eleven (11) gauge. All cross sills to be welded to longitudinal sills on all sides. Allow 16" spacing between cross sills.
- 4.4.20 SIDES AND END RAILS: Five feet (5') deep, minimum eleven (11) gauge, with built in box type stake pockets.
- 4.4.21 FLOOR: Minimum three sixteenth inch (3/16"), steel tread plate with floor welded to cross members, or minimum one eighth inch (1/8") steel tread plate with a minimum of five (5) floor support long sills, formed of twelve (12) gauge steel channel.
- 4.4.22 LIGHTS: Two (2) amber reflectors; four (4) red reflectors; two (2) combination stop and turn signal lights; four (4) clearance lights (mounted on left and right rub rails), all required to meet State inspection requirements.
- 4.4.23 MUD FLAPS: Mud flaps manufactured of a rubber base material are to be installed on both sides of vehicle, front and rear of rear tires. Front mud flaps to have anti-sail device. Mud flaps to be minimum one point five (1.5) pounds per square foot and plain black without identifying markings.
- 4.4.24 CAB PROTECTOR: To be manufactured of minimum two inch (2") by two inch (2") minimum eleven (11) gauge steel box tubing. Protector to be cab width and four inches (4") above cab height. Sides of protector to be angled to conform to cab contour (approximately) and extend four inches (4") above top vertical brace. Two (2) vertical, evenly spaced, center supports of minimum two inch (2") by two inch (2") square box is required. Three (3) horizontal braces, one (1) top, one (1) center, and one (1) bottom of frame between vertical braces, using minimum two inch (2") by two inch (2") steel box tubing. Entire protector to be covered from cab side with one inch (1") raised pattern expanded metal (minimum twelve (12) gauge) and welded securely to frame. Wire mesh must extend from top of frame to the platform floor. Protector to be welded to platform. Cab protector to be painted with Automotive Black Enamel.
- 4.4.25 PIVOTS & PINS: All pivots shall be equipped with grease fittings.
- 4.4.26 HYDRAULICS: Hoist shall be heavy duty, double lift arm hoist. Hoist to be type V, underbody hoist. Fifty degree (50 degree) dump angle +/-2 degrees, with truck chassis frame tapered at rear to form a positive stop with rails of dump box (a full mating surface is required) at maximum dump angle. Hydraulic pump to be close couple direct mount to power take off. Pump to be air controlled with feathering valve. Hydraulic system to include in-line hydraulic filter. Pump and P.T.O. controls to be firmly mounted in cab where it is easily accessible from driver's position. Cable or rod operated controls are not acceptable. Units will be provided with safety limit equipment designed to stop the dump body at its maximum dump angle. Safety limit equipment to include a flexible wand type switch and an air solenoid valve rated at not less than 125 PSI. Hoist installation must provide for use of the entire cylinder stroke when reaching maximum dump angle. The only acceptable substitute to the above requirement for a flexible wand type switch and air solenoid valve will be for a system designed with an internal bypass stroke limit system. Hoist assemblies with the tie rod design for cylinder construction are not acceptable.

- 4.4.27 OTHER EQUIPMENT: All necessary clearance lights, marker lights, reflectors, mud flaps and mechanical backup alarm to be included and meet State Inspection requirements.
- 4.4.28 TAILGATE OPENING: Swing Door design. Double doors open from the middle and latch with a chain to secure load. Each door is 4' wide. The width of the truck is 8'. Need to be 5'5" high. Need to open out and lock at the gate. Tailgate is to be hinged vertically, not horizontally.
- 4.4.29 SAFETY: Equipped with seatbelts, flush mounted type amber colored strobe lights to be installed in all four corners (front and rear light assemblies) of truck. All strobes to be wired to a factory type switch located in cab.
- 4.4.30 No trail hitch or pintle required.

4.5	ITEM	QUANTITY	DESCRIPTION
	3	3	35,000 Minimum GVWR 7 Cubic Yard Dump Truck

- 4.5.1 ENGINE: Diesel, minimum 250 H.P., 660 ft. lb. of torque at manufacturers recommended RPM. ✓
- 4.5.2 GVWR: Maximum 35,000 lbs. ✓
- 4.5.3 TRANSMISSION: Minimum Allison 3000 RDS, or proven equal. ✓
- 4.5.4 REAR AXLE: Minimum 23,000 lbs., single speed, ratio geared to attain 65 mph +/-2 mph, equipped with hub piloted steel hubs, out-board mount type brake drums. ✓
- 4.5.5 FRONT AXLE: Minimum 12,000 lbs., equipped with hub piloted steel hubs, out-board mount type brake drums with front wheel visible caps bearing oiler. Front shock absorbers to be heaviest duty available for specified axle.
- 4.5.6 SUSPENSION: Equipped with manufacturer's heavy duty suspension applicable to axle ratings and overall gross vehicle weight
- 4.5.7 WHEELS AND TIRES: ✓ Wheels to be 10 hole hub piloted steel disk wheel, minimum 11R22.5 steel belted tubeless radials, minimum load range G tires. Front tires to be conventional tread. Rear dual wheel application to be on-off, self-cleaning, lug design. Loose lug indicators on front and rear wheels.
- 4.5.8 BRAKES: ✓ Full air, S-cam type, manufacturer's heavy duty brake shoes, spring set parking brakes. Front and rear automatic slack adjusters. Gear or belt driven compressor. Minimum 13 CFM compressor, Midland Pure Air Plus Dryer Model DA33100 or equal with automatic drain valves Model KN24000 or equal on all tanks. Spring set parking brakes on both rear axles. All brake drums to be cast iron. Quick connect couplings to be located in a protected area near the front bumper. Couplings will not be mounted to the bumper. Female coupling 1/2" Milton M Type or approved equal to air tanks.
- 4.5.9 FUEL SYSTEM: ✓ To be equipped with under cab minimum 50 gallon left or right hand tank. Fuel filtration system to include primary and secondary type fuel filters with automatic water separator. Diesel Exhaust Fluid (DEF) Gauge inside of cab
- 4.5.10 STEERING: ✓ Integral power steering.
- 4.5.11 FRAME: ✓ Minimum 900,000 RBM
- 4.5.12 EXHAUST SYSTEM: ✓ Muffler and exhaust system to be horizontally mounted.
- 4.5.13 UNIT TO BE EQUIPPED WITH THE FOLLOWING ADDITIONAL EQUIPMENT:
  - 4.5.13.1 Minimum one (1) electrical and one (1) air horns. ✓
  - 4.5.13.2 Turn indicators, front and rear, stop and tail lights. ✓
  - 4.5.13.3 Tachometer. ✓
  - 4.5.13.4 Adjustable steering column. ✓
  - 4.5.13.5 Cigar lighter/Power port for use with cell Phone ✓
  - 4.5.13.6 Water temperature, oil pressure and volt or amp gauges. ✓
  - 4.5.13.7 DOT reflector flare kit. ✓

- 4.5.13.8 Electronic back up alarm. ✓
- 4.5.13.9 5 lb. fire extinguisher. ✓
- 4.5.13.10 Fixed interval wiper control with windshield washer. ✓
- 4.4.13.11 Seating: Vinyl or premium synthetic upholstery. Driver seat to be reclining with high back, and passenger seating to be 2 man bench type. ✓
- 4.5.13.12 Minimum four (4) factory installed up-fitter switches. ✓

## 7 CUBIC YARD DUMP BODY SPECIFICATIONS:

- 4.5.14 **STANDARD BODY CONSTRUCTION:** Body to be 10' X 7' inside and be constructed of minimum 8 gauge steel that meets the ASTM A572 Standard, having a 15 to 20 carbon content. Body shall have a 2" radius between sides and floor to provide easier and cleaner discharge of load. Sides shall be adequately side braced and rub rails be sloped dirt-free self-cleaning type. All welds shall be continuous on floor side, head seams, braces, etc., **NO SKIP WELDS.** Side boards to be minimum 2" x 6" x 1/4" structural rectangular tubing. Long sills shall be constructed of minimum 5" I-beam with a 1/4" web. Crossmembers shall be constructed of minimum 4" I-beam with a 3/16" web. Crossmembers to be on maximum 14" centers, must extend under rub rails and side post, be gusseted to body long sills and welded to long sills on all sides. Rear corner posts shall be a minimum of 12" wide and constructed of minimum 8 gauge steel which meets the above mentioned standard. Body shall have a half size cab protector. Body sub-frame to have external guides installed to guide body into proper alignment with sub-frame, to prevent side movement during travel.
- 4.5.15 **TAILGATE:** Tailgate shall be of the double-acting type, constructed with boxed type reinforcements on all sides with a basic sheet wrapped over top and under bottom with a minimum of two vertical box braces and one horizontal box brace in center, or one vertical box brace in center and two horizontal box braces. Base section must be of the sloped, dirt-free self-cleaning type. Upper tailgate hardware to be minimum 7/8" thick, flame cut steel. Tailgate locks must be easy to manipulate and provide firm locking. Tailgate spreader chains to be attached directly under upper tailgate crossmember and configured to allow multiple positioning of tailgate to include horizontal. All welds to be continuous, no spot or skip welding.
- 4.5.16 **TOW PACKAGE:** Rear Bumper – OEM rear bumper and tow package to include receiver hitch with 2" hitch opening, pinel latch 6", OEM in-cab mounted trailer brake controller and both a 4-way flat vehicle connector and 7-Way round vehicle connector (Flat Pin). Unit must have electric brake module for electric brake trailers and gland hands for air brake trailers.
- 4.5.17 **PIVOTS & PINS:** All pivots shall be equipped with grease fittings.
- 4.8.17.1 Rear Hinge Pins - Minimum 2" O.D.
  - 4.8.17.2 Upper Tailgate Pins - Minimum 1" O.D.
  - 4.8.15.3 Lower Tailgate Pins - Minimum 1-1/4" O.D.
- 4.5.18 **HYDRAULICS:** Hoist shall be heavy duty, double lift arm hoist, Galion U850HD, Perfection 825, or proven equal, conforming to the most current **National Truck Equipment Association's (N.T.E.A.)** criteria for Class 50 lifting capacity. Hoist to be type V, underbody hoist, as defined in the N.T.E.A. second edition, Dump Body Hoist Chart. Fifty degree (50 degree) dump angle +/- 2 degrees, with truck chassis frame tapered at rear to form a positive stop with rails of dump box (a full mating surface is required) at maximum dump angle. **NO OTHER STOP IS ACCEPTABLE.** Hydraulic pump to be close couple direct mount to power take off. Pump to be Chelsea DPH25, Munci D2XL27-2BPRL (minimum 19 GPM at 1,000 RPM) or equal, air controlled with feathering valve. Hydraulic system to include in-line hydraulic filter. Power take off to be Chelsea 445XSES, Muncie TG6S Powerflex or equal, with air shift controls. Pump and P.T.O. controls to be firmly mounted on vehicle dash board easily accessible from driver's position. Cable or rod operated controls are not acceptable. Units will be provided with safety limit equipment designed to stop the dump body at its maximum dump angle. Safety limit equipment to include a flexible wand type switch, Micro BZE6-2RN18-8631, and an air solenoid valve rated at not less than 125 PSI, Humphrey 062E-3-11-20-35, no exceptions. Hoist installation must provide for use of the entire cylinder stroke when reaching maximum dump angle. The only acceptable substitute to the above requirement for a flexible wand type switch and air solenoid valve will be for a system designed with an internal bypass stroke limit system, Perfection Dump Hoist Design or proven equal. Hoist assemblies with the tie rod design for cylinder construction are not acceptable.

- 4.5.19 MISCELLANEOUS EQUIPMENT: All necessary clearance lights, marker lights, reflectors, mud flaps and mechanical backup alarm to be included and meet State Inspection requirement.
- 4.5.20 WORK QUALITY: Bodies with inferior welds (i.e., pin holes and non-penetrating welds) will not be accepted. Welds on sub-frames or body components will be such as not to interfere with any other frame or body component. All components are to be new (overhauled items are NOT acceptable).
- 4.5.21 DUMP BODY COVER ASSEMBLY: Tarp system to be Pull Tarps, Universal Super shield Automated Arm System, part number S9E (or current equivalent), with steel arms, or proven equal. Motor will be mounted in the "down" position. A weather proof control panel, with a minimum 25-amp reset breaker, to operate tarp system will be located in conjunction with the hydraulic controls. Controls to operate the tarping system will not be placed in the cab of the tractor.

4.6	ITEM	QUANTITY	DESCRIPTION
X 4		2	19,500 - 26,000 GVWR 9 Cubic Yard Sanitation Truck

- 4.6.1 ENGINE: Minimum 210 HP at 2,500M; 440 lb ft torque at 1,500 RPM.
- 4.6.2 GVWR: Minimum 19,500 lbs
- 4.6.3 TRANSMISSION/DRIVE Automatic transmission with overdrive; 5 speed minimum, 4x2 design.
- 4.6.4 REAR AXLE CAPACITY: Maximum 13,660 lbs
- 4.6.5 FRONT AXLE CAPACITY: Maximum 6,830 lbs
- 4.6.6 SUSPENSION: Heaviest duty available to include heavy duty shock absorbers, independent struts with stabilization.
- 4.6.7 TIRES & WHEELS: Unit to be equipped with dual rear wheels (DRW). Tires to meet or exceed minimum gross vehicle weight rating of vehicle. Loose lug indicators on front and rear wheels.
- 4.6.8 BRAKES: Hydraulic system with dual circuit and disc brake for front and rear wheels.
- 4.6.9 FUEL SYSTEM: Fuel tank shall hold a minimum of 30 gallons of Ultra Low Sulfur Diesel. Diesel Exhaust Fluid (DEF) Gauge inside of cab.
- 4.6.10 SEATING: Capacity to be for three (3) individuals. Driver seat to be reclining with high back, passenger to be fixed high back, and middle to be fold away with back seat console.
- 4.6.11 BODY/BED: Cab over design.
- 4.6.12 MIRRORS: OEM inside, standard type; outside, left and right, below eye level type, largest available offered by manufacturer, swing away type.

**9 CUBIC YARD DUMP BODY SPECIFICATIONS:**

- 4.6.13 DIMENSIONS: Dump body attachment will be a minimum of:
  - 4.6.13.1 82" width
  - 4.6.13.2 73" height
  - 4.6.13.3 204" length
- 4.6.14 FILLABLE BODY CAPACITY: Unit shall hold a capacity of 9 cubic yards with a hopper loading area of 2 cubic yards.
- 4.6.15 LOADING: Unit will be loaded from the rear and will include a center mounted cart lifter/tipper with tipper controls mounted on the curbside/passenger side of the body.
- 4.6.16 BODY CONSTRUCTION: (Hopper & Body) Minimums:

- 4.6.16.1 Sides: 10 gauge
- 4.6.16.2 Top: 10 gauge
- 4.6.16.3 Floor: 10 gauge
- 4.6.16.4 Hopper: ¼" AR Plate
- 4.6.16.5 Packer Face 3/16" AR Plate

4.6.17 HYDRAULIC SYSTEM: Unit to be equipped with the following:

- 4.6.17.1 Tail Gate Packer Cylinder: 4" Bore, 2" Rod.
- 4.6.17.2 Link Cylinders: 4.5" Bore, 2" Rod
- 4.6.16.3 Hydraulic Tank: The tank shall hold a minimum of 40 Gallons.

4.6.18 REAR STEPS: Rear steps shall be mounted on both street side and curb side of the body and shall be located where the driver can see personnel from wither rear view mirror. Steps shall also include hand holds.

4.6.19 BODY LIGHTING: All body lighting for Hopper Work Light, Strobe lights and Brake/Turn indicators shall be LED. Amber strobes lights shall be mounted on the top light bar only. NO EXCEPTIONS.

4.6.20 SAFETY: Unit to be equipped with a back up alarm, triangle kit, 5 lb fire extinguisher, and all safety markings/decals per DOT regulations.

4.6.21 COLOR: Cab and Chassis of unit to be OEM White and sanitation attachment to be OEM Yellow.

4.7	ITEM	QUANTITY	DESCRIPTION
		5	8
			>50,000 GVWR Fifth Wheel Tractors
4.7.1	ENGINE: Diesel, minimum 470 net horsepower rated at manufacturers recommended RPM, producing a minimum of 1650 ft lb. of gross torque and should be at +/- 70% of engine ground RPM.		
4.7.2	GVWR: Greater than 33,000 lbs.		
4.7.3	TRANSMISSION: Manual transmission; Fuller FRO-16210C, or proven equal. 10 Speed.		
4.7.4	REAR AXLE: Tandem axle configuration- 6x4 design. Single speed tandem drive, minimum 40,000 lbs capacity, Gear ratio installed must be capable of 80 +/- 2 mph geared road speed at full engine governed RPM. Driver controlled differential locks on both rear axles.		
4.7.5	FRONT AXLE: Minimum 13,200 lbs. capacity with 13,200 lbs spring with Stemco or proven equal front wheel bearing oiler or maintenance free axle approved. To include heavy duty front shocks.		
4.7.6	REAR SUSPENSION: Minimum 40,000 lbs capacity; Hendricks Spring Suspension or proven equal.		
4.7.7	WHEELS AND TIRES: Wheels to be 10 hole hub piloted steel disk wheel, minimum 11R-22.5, steel belted tubeless radials, minimum load range H tires, on/off highway tread design. Front wheels to be highway tread design. Rear dual wheel application to be on-off, self-cleaning, lug design. Loose wheel stud/lug indicators, shall be installed on all wheels.		
4.7.8	BRAKES: Full air, S-cam type, manufacture's heavy duty brake shoes, spring set parking brakes. Unit must be equipped with a 2 Stage "J" Brake. Front and rear automatic slack adjusters. Minimum 13 CFM compressor, Midland Pure Air Plus Dryer Model DA33100 or equal with automatic drain valves Model KN24000 or equal on all tanks. Spring set parking brakes on both rear axles. Quick connect couplings to be located in a protected area near the front bumper. Couplings will not be mounted to the bumper. Equipped with glad-hands suitable for ABS brakes. Female coupling ½" Milton M Type or approved equal to air tanks.		
4.7.9	FUEL SYSTEM: Single left or right hand metal tank mounted under cab or dual left and right hand step tanks mounted under cab. Minimum to fuel capacity to be 70 gallons. Fuel filtration to include primary and secondary filtering systems with automatic water separator. Diesel Exhaust Fluid (DEF) Gauge inside of cab		
4.7.10	STEERING: Integral power steering.		

- 4.7.11 EXHAUST SYSTEM: Vertical tailpipe, heat guard, and turn out, mounted to allow full utilization of specified cab to trunion length.
- 4.7.12 CAB: Air ride suspension cab with, tilt hood, left and right hand cab grab handles, and manufacturer's standard AM/FM radio. Convex mirrors installed on both front fenders to provide view of obstacles on right side of truck from front bumper to rear wheels. Driver seat to be high back bucket type. Passenger seat to be non-suspension bucket seat. Seat belt will be safety orange (seat belt cover not acceptable).
- 4.7.13 ELECTRICAL: Units to be equipped with three (3) minimum 12-volt, heavy duty batteries (total 2100 CCA).
- 4.7.14 CLUTCH: Minimum 15.5", 2 plate, heavy duty ceramic faced. Release bearing to have an extension hose.
- 4.7.15 ACCESSORIES: Tractor air brake system and 7-line trailer connector. Two (2) high intensity strobe lights to be installed, two (2) in the front. All strobe light will operate automatically whenever ignition switch is on, and also from OEM dash mounted toggle switch with no key in ignition. A catwalk and access steps constructed of expanded metal grating or perforated metal to provide a non-slip surface. Aluminum will be acceptable unfinished. Provided and installed between the truck frame rails behind the cab and to extend all the way to the fifth wheel slide, to provide the operator a place to stand while making hydraulic, electrical, and pneumatic connections. Catwalk will be mounted as to not contact trailer while traversing uneven terrain. Vehicle shall have full coverage split rear steel fenders covering all wheels as to not contact trailer. Battery disconnect switch will be installed in cab.
- 4.7.16 FIFTH WHEEL: Unit to be a non-tilt convertible fifth wheel design Holland FW 35, 36" air slide or proven equal. Fifth wheel to extend above rear fenders as to not cause trailer contacting fender under operations in uneven terrain.
- 4.7.17 WET KIT: A truck mounted wet kit will be provided and installed. A hot shift PTO mounted and a direct mount pump will be installed on the truck transmission which produces 50-90% of engine RPM. A metal hydraulic reservoir to be mounted behind cab and be a minimum of 75 gallon capacity. Hydraulic controls to be mounted inside truck cab readily accessible to the driver. All valves and fittings required to make wet kit and trailer completely operational to include one female quick coupler and one male quick coupler. Wet kit to be filled to capacity with SAE 10 Hydraulic oil. Wet kit pump shall be configured to be used with life bottom trailers.

4.8	ITEM	QUANTITY	DESCRIPTION
	6	1	>50,000 GVWR Dump Truck
4.8.1	ENGINE:		Diesel, Minimum 8.9 liter water cooled, minimum 345 net horsepower rated at not more than 1800 RPM, producing a minimum of 1,000 ft. lb. of gross torque at between 1100 and 1300 RPM. Road speed to be electronically governed to 65 +/- 2 MPH.
4.8.2	GVWR:		Greater than 50,000 lbs.
4.8.3	TRANSMISSION:		Allison 3000 RDS or proven equal.
4.8.4	REAR AXLE:		Single speed tandem drive, minimum 40,000 lbs. capacity. Gear ratio installed must be capable of 65 mph +/- 2 mph geared road speed at full engine governed RPM.
4.8.5	FRONT AXLE:		Minimum 12,000 lbs. capacity with 12,000 lbs. spring with Stemco or proven equal front wheel bearing oiler.
4.8.6	REAR SUSPENSION:		Minimum 40,000 lbs. capacity, Hendrickson HMX or equal.
4.8.7	WHEELS & TIRES:		Wheels to be 10 hole hub piloted steel disk wheel, minimum 11R-22.5, steel belted tubeless radials, minimum load range G tires, on/off highway tread design. Front wheels to be highway tread design. Rear dual wheel application to be on-off, self-cleaning, lug design. Loose lug indicators on front and rear wheels.
4.8.8	BRAKES:		Full air, S-cam type, manufacture's heavy duty brake shoes, spring set parking brakes. Front and rear automatic slack adjusters. Minimum 13 CFM compressor, Midland Pure Air Plus Dryer Model DA33100 or equal with automatic drain valves Model KN24000 or equal on all tanks. Spring set parking brakes on both rear axles.

Quick connect couplings to be located in a protected area near the front bumper. Couplings will not be mounted to the bumper. Female coupling 1/2" Milton M Type or approved equal to air tanks. Equipped with glad-hands suitable for ABS brakes.

4.8.9 ✓ **FUEL SYSTEM:** Single left or right hand tank mounted under cab or dual left and right hand step tanks mounted under cab. Minimum total fuel capacity to be 70 gallons. Fuel filtration to include primary and secondary filtering systems. Fuel filtration to be combination primary filter, automatic water separator. Diesel Exhaust Fluid (DEF) Gauge inside of cab

4.8.10 ✓ **FRAME:** Full depth, high performance, minimum 2,400,000 RBM

4.8.11 ✓ **EXHAUST SYSTEM:** Vertical tailpipe, heat guard, and turnout, mounted to allow full utilization of specified cab-to-trunion length.

4.8.12 ✓ **ELECTRICAL:** Units to be equipped with three (3) minimum 12-volt, heavy duty batteries (total 1800 CCA). Minimum 130 amp alternator.

4.8.13 DELETED

4.8.14 UNIT TO BE EQUIPPED WITH THE FOLLOWING ADDITIONAL EQUIPMENT:

- 4.8.14.1 Minimum one (1) electrical and one (1) air horns. ✓
- 4.8.14.2 Integral power steering. ✓
- 4.8.14.3 Turn indicators, front and rear, stop and tail lights. ✓
- 4.8.14.4 Tachometer. ✓
- 4.8.14.5 Adjustable steering column. ✓
- 4.8.14.6 Cigar lighter/Power port for use with cell Phone ✓
- 4.8.14.7 Water temperature, oil pressure and volt or amp gauges. ✓
- 4.8.14.8 DOT reflector flare kit. ✓
- 4.8.14.9 Electronic back up alarm. ✓
- 4.8.14.10 5 lb. fire extinguisher. ✓
- 4.8.14.11 Fixed interval wiper control with windshield washer. ✓
- 4.8.14.12 Minimum four (4) factory installed up-fitter switches ✓

4.8.15 ✓ **ACCESSORIES:** Tractor air brake system and seven (7) line trailer connector. ✓

#### **SPECIFICATIONS FOR 10 CUBIC YARD DUMP BODY:**

4.8.16 **BODY CONSTRUCTION:** Body must be 14' x 7' inside and be constructed of minimum seven (7) gauge steel which meets the ASTM A1011 High Tensile Standard. Body must have a diagonal slope between sides and floor to provide cleaner discharge of load. Sides must be adequately side braced and rub rails be sloped dirt-free type. Floor to be constructed of minimum 1/4" AR-400 steel. All welds must be continuous on floor seams, braces, etc., NO SKIP WELDS. Side boards of channel steel minimum 2.60" x 10" x .240" to be installed to present a smooth face on inside of body. Body height to be a minimum 36", 7 gauge steel. Long sills must be constructed of 7" structural I-beam or channel (minimum). Crossmembers must be constructed of 4", 7.7 lbs. per foot structural I-beam or channel (minimum). Under structure must include standard front and rear 4" structural I-beams or channel and intermediate crossmembers maximum on 12" centers evenly spaced from front to rear. Rear corner posts must be a minimum of 10" wide and constructed of seven (7) gauge steel which meets the above mentioned standard. Body must have half size cab protector. Body sub-frame to have external guides installed to guide body into proper alignment with sub-frame and to prevent side movement during travel. Bottom end of body floor shall incorporate a material chute which shall be constructed of 1/4" steel.

4.8.17 **TAILGATE:** Tailgate must be of the double-acting type, constructed with boxed type reinforcements on all sides with a basic sheet wrapped over top and under bottom with a minimum of two vertical box braces and one horizontal box brace in center, or one vertical box brace in center and two horizontal box braces. Base section must be of the sloped, dirt-free type. Upper tailgate hardware 1" (minimum) thick flame cut steel. Tailgate latch 5/8" (minimum) thick flame cut steel.

4.8.18 **PIVOTS & PINS:** All pivots must be equipped with grease fittings. Rear hinge pins 2" O.D. minimum, upper tailgate pin 1" O.D. minimum. Lower tailgate pin 2" O.D. minimum.



- 4.8.19 **HYDRAULICS:** Hoist must be a class 110 minimum, full sub-frame type head mount telescopic hoist which conforms to National Truck Equipment Association (NTEA), Hydraulic Hoist and Dump Body Classification Chart. Fifty degree (50 degree) dump angle +/-2 degrees, with truck chassis frame tapered at rear to form a positive stop with rails of dump box at maximum dump angle. A full mating surface is required. Hydraulic pump to be close couple direct mount to power take off. Pump to be minimum 25 GPM at 1,000 RPM with feathering valve. Hydraulic system to include in-line hydraulic filter. Power take off (P.T.O.) to be Muncie TG8 or equal with air shift controls. Pump and P.T.O. controls to be firmly mounted in cab where it is easily accessible from driver's position. Cable or rod operated controls are not acceptable. Unit will be provided with safety limit equipment designed to stop the dump body at its maximum dump angle. Safety limit equipment to include a flexible wand type switch, and an air solenoid valve rated at not less than 125 PSI. Hoist installation must provide for use of the entire cylinder stroke when reaching maximum dump angle. Controls must include capability of hoisting, holding or lowering body.
- 4.8.20 **OTHER EQUIPMENT:** All necessary clearance lights, marker lights, reflectors, mud flaps and mechanical back up alarm to be included must meet State Inspection requirement. Four High intensity strobe lights to be installed, two (2) in or near, the front grill and two (2) flush mounted near the top of the rear tailgates. All strobe lights, front and rear, will operate whenever ignition switch is on.
- 4.8.21 **TARP SYSTEM:** Electric tarp from front to rear of bed with manual override. Heavy duty tarp is to cover entire length of trailer cargo space to prevent loose debris from falling out during transport. Tarp controls to be installed inside of cab.
- 4.8.22 **SAFETY:** Equipped with driver and passenger seatbelts, Hide-a-Way type amber colored strobe lights to be installed in all four corners (front and rear light assemblies) of truck. All strobes to be wired to a factory type switch located in cab.
- 4.8.23 **HITCH:** Unit to be equipped with a minimum 30 ton pintle hitch.

4.9	ITEM	QUANTITY	DESCRIPTION
	7	2	>33,000 GVWR Utility Bed/Lubrication Body Trucks

- 4.9.1 **ENGINE:** Diesel, minimum 330 SAE net horsepower, and 950 ft. lbs. of torque at manufacturers recommended RPM, with engine oil cooler and full flow spin-on oil filter, dry type air filter. The engine shall be equipped with an automatic engine shutdown with alarm. Largest capacity radiator with automatic viscous fan clutch or on/off fan clutch.
- 4.9.2 **GVWR:** Greater than 33,000 lbs.
- 4.9.3 **TRANSMISSION:** Allison 3500-RDS, or proven equal.
- 4.9.4 **FRONT & REAR AXLE:** **FRONT AXLE:** Minimum 12,000 lbs. capacity with 12,000 lbs. spring capacity. **REAR AXLE:** Minimum 23,000 lbs. capacity with 23,000 lbs. spring capacity, equipped with hub piloted steel hubs, out-board mount type brake drums. Rear axle equipped with heavy duty springs plus auxiliary springs. Stemco or equal rear oil seals. Gear ratio will be determined by the best start ability and grade ability.
- 4.9.5 **SUSPENSION:** Rear axle equipped with heavy duty springs plus auxiliary springs.
- 4.9.6 **WHEELS & TIRES:** Front and rear wheel seals to be Stemco Wet, steel wheels, minimum 8.25" rims with minimum 11R-22.5 (NO EXCEPTIONS), minimum load range H, tubeless steel belted radial tires. Front tires conventional tread. Rear dual application to be self-cleaning lug design. Loose lug indicators on front and rear wheels.
- 4.9.7 **BRAKES:** Air, Full power with automatic adjustment, 4-channel ABS with traction control, rear axle mounted parking brake. Minimum 13 CFM compressor, Midland Pure Air Plus Dryer Model DA33100 or equal with automatic drain valves Model KN24000 or equal on all tanks Quick connect couplings to be located in a protected area near the front bumper. Couplings will not be mounted to the bumper. Female coupling 1/2" Milton M Type or approved equal to air tanks.

- 4.9.8 **FUEL SYSTEM:** To be equipped with minimum capacity of 50 gallons. Right or left side tank mount. Fuel filtration system to include primary and secondary with water separator. Fuel filler neck is required to have a removable, full flow screen. Diesel Exhaust Fluid (DEF) Gauge inside of cab
- 4.9.9 **EXHAUST SYSTEM:** Vertical exhaust pipe, heat cover and turn out to be mounted to allow full utilization of cab-to-axle length.
- 4.9.10 **ELECTRICAL:** Minimum 1800 CCA (total) batteries and minimum 200 amp alternator. Batteries are to be equipped with jump start studs and a battery disconnect switch located in the cab.
- 4.9.11 **CAB:** Air ride suspension cab with running boards, tilt hood, and fenders, left and right hand cab grab handles, and manufacturer's standard AM/FM radio. Units to be factory equipped with installed OEM air conditioner, integral heater, defroster units, insulated cab headliner, standard left and right side sun visor, left and right outside mirrors, motorized, west coast type, right and left hand, heavy-duty, 6-inches x 16-inches split focus, breakaway type. Parabolic mirror installed on right front fender to provide view of obstacles on right side of truck from front bumper to rear wheels. Unit shall have a 12-volt power plug, air horn, and power door locks and power windows. Driver seat to be bucket type, National Cush-n-Aire or equal. Passenger seat to be non-suspension seat. Side and rear windows will have factory OEM tinting.
- 4.9.13 **MISCELLANEOUS ITEMS:**
- 4.9.13.1 Two (2) front tow hooks installed on frame and strengthened sufficiently to pull truck.
  - 4.9.13.2 Two (2) permanent and one (1) flip style placards on each side of truck. Truck to be equipped with minimum two (2) static straps. One (1) 2 ½ lb. DOT Certified A,B,&C fire extinguisher to be mounted in cab with proper identifying markings on outside of cab notating "Fire Extinguisher Inside". One (1) hazmat spill kit to include (4) 3"x4' hazmat sorbent socks; (6) 16"x20" medium weight sorbent pads; (1) temporary disposal bag; (1) pair clear goggles with perforated venting; (1) pair nitrile gloves; (1) Emergency Response Pocket Guidebook; (1) 5-gallon white, snap-lid pail- UN Certified 1H2/200S (JJ Keller Product 731-R or proven equal).
  - 4.9.13.3 Unit to be equipped with a Waste Oil Suction hose and shall be 1 ¼ inch thick.
  - 4.9.13.4 Unit to be equipped with a lockable rear roll up door.
  - 4.9.13.5 Unit to be equipped with a battery cut off switch.
  - 4.9.13.6 Minimum four (4) factory installed up-fitter switches.

**SPECIFICATIONS: LUBRICATION BODY:**

- 4.9.14 The body will be a minimum of 14 ft" L x 95" W maximum with a approximately weight of 5,400 lbs. Floor plate will be a minimum of 1/8" steel.
- 4.9.15 The filter drain compartment to be constructed of steel. The top section is to incorporate a catch reservoir.
- 4.9.16 The enclosed rear dropped service compartment shall incorporate a rear tubular style bumper, reel and pump mounting shelves. The unit shall have a 50 gallon storage sump and used filter box. The compartment assembly shall tie directly to the chassis frame to provide support. The finished compartment to be designed for installation of appropriate lights and have a slatted roll up door with weather seals and a drip edge.
- 4.9.17 There will be minimum two storage compartments above the deck. The street side compartment shall consist of three separate compartments each having 3-point latching doors. The combined storage capacity of this compartment must be a minimum of 84.9 cu. ft. The compartment to be approximately 114"W x 58.5" H x 22"D. The curb side compartment to have a pair of overlapping doors and a storage approximately 24.4 Cu. Ft. The compartment to measure approximately 60"W x 32" H x 22" D.
- 4.9.18 There will be a door and steps to access the upper deck and storage tanks. The door to measure approximately 29.25" W x 57.50" H and have a single point latch. The access steps must be fold down ladder or integrated into

the lower body skirts and consist of two steps and two grab handles that are located on either side of the door opening for safety.

4.9.19 The body will be painted the same color of the cab.

#### **ELECTRICAL:**

- 4.9.20 All 12 volt DC in-line wiring connectors shall utilize sealed hinge lock connectors. Main power shall be circuit protected at the source and activated via a power distribution relay. Main power and grounding cabling to be color coded and labeled by function. All electrical function wiring that exits the electrical control station shall be white GXL-type wire, it is preferred that each wire shall have its function inkjet printed onto it in 3 " intervals, however it is acceptable for wiring to have clearly identifiable markings to distinguish function for maintenance ease. All 12 volt DC wire harness shall be over-braided with high temperature resistant nylon yarn. The harness shall feature a weave tightness of 12 picks/ inch. All DOT lighting must be flush mount and or recessed for protection.
- 4.9.21 LED Lights will be mounted along all sides of body and rear section. These LED lights are to be swivel and adjustable work lights. ALL COMPARTMENTS SHALL BE LIGHTED.
- 4.9.22 Electrical control station will have a minimum of one (1) weather resistant control box. Each driven system will be individually controlled by a lighted, environmentally sealed switch, and each switch must be fused in accordance to the load it is driving.
- 4.9.23 A 70-amp relay powered by the ignition switch will provide power to the main system. A weather resistant control box will be used to control the hydraulics to each pump individually via an electrical switch with indicator light.
- 4.9.24 12 volts with positive and negative access points shall be accessible at the rear of the service body. Shall include a 5000 watt power inverter for the use of 120 volt tools. One rain tight double plug located at the rear of body.

#### **OIL SYSTEM:**

- 4.9.25 There will be 5 oil systems on body. One (1) 135 gallon system and four (4) 75 gallon systems. Each must have a lockable 2-inch vented cap, 1 micron breather filter and include a 1 inch bottom suction port. The tanks are to be mounted so any leakage or spill will be contained by the body containment rails.
- 4.9.26 The product oil pumping g system shall consist of a hydraulic driven pump per oil tank. Each product must be equipped with an on-off valve and be capable of a sustained delivery rate of a minimum 12 GPM. The pump will supply the manifold consisting of multiple oil systems pumps. The manifold is to provide the hydraulic power for the pumps. The manifold pumping system is to be mounted in a under floor compartment or the right hand, bottom portion of the hose reel compartment so that the pumps are mounted in a vertical manner.
- 4.9.27 Oil hose reels must be heavy duty, high volume, and spring retractable. The reels are to be heavy gauge steel frames and dual support arms. Each reel must have a positive lock and unlock ratchet and be equipped with a ½ "x 50' minimum hose with a ball stop.

#### **ANTIFREEZE SYSTEM:**

- 4.9.28 There will be one (1) 75 gallon antifreeze system. It will have a lockable 2-inch vented cap, 1 micron breather filter and include a 1 inch bottom suction port. The tank is to be mounted with rails incorporated into the body, tanks may be steel or poly.
- 4.9.29 The antifreeze pumping system is to consist of a pneumatic or hydraulic driven pump, and be equipped with an on-off valve and be capable of a sustained delivery rate minimum of 12 gallons per minute.
- 4.9.30 The anti-freeze reel must be heavy duty, high volume and spring retractable. The reel is to be of a heavy gauge steel frame and dual support arms. The reel must have a positive lock and unlock ratchet and be equipped with a 1 ¼" x 35' minimum hose with a ball stop.

#### **OIL SALVAGE:**

- 4.9.31 There will be one (1) 135 gallon oil salvage system, with a lockable 2-inch vented cap, 1 micron breather filter and include a 1 inch bottom suction port. The tank must be mounted with rails incorporated into the body or be four (4) point mounted with rubber bushing. Tank may be steel or poly.
- 4.9.32 The salvage pumping system will consist of a pneumatic driven pump. The product pump will be equipped with an on-off valve.
- 4.9.33 The salvage reel must be heavy duty, high volume and spring retractable. The reel is to be of a heavy gauge steel frame and dual support arms. The reel must have a positive lock and unlock ratchet and be equipped with a 1 ¼ X 35 minimum hose with a ball stop.

**AIR SYSTEM:**

- 4.9.34 A hydraulically driven air compressor is to be provided. The compressor must have a minimum delivery of 35 CFM and a maximum working pressure of 150 PSI at the receiver tank.
- 4.9.35 The air reel is to be heavy duty, high volume and spring retractable. The reel must be a minimum of cast steel single pedestal. Each reel must have a positive lock and unlock ratchet and be equipped with a ½ "x 50' minimum hose with a ball stop.

**MAIN HYDRAULIC SYSTEM:**

- 4.9.36 The main system must be protected by a system on both the suction and return side of the pump and reservoir. The suction strainer is to have a minimum 1000 micron element and a vacuum gauge. The return filter is to have a minimum 25 micron element. The hydraulic system metal reservoir must have a vented cap and sufficient openings for the pump and filter connections.
- 4.9.37 Hydraulic pump mounted to the PTO on the side of the transmission.

**GREASE SYSTEM:**

- 4.9.38 The grease system shall consist of one pneumatic-driven high pressure grease pump. The pump shall be equipped with a pressure regulator and an on/off valve. A drum cover with tie-down rods and drum locator shall be provided.
- 4.9.39 The grease reel shall be heavy-duty, high pressure, and spring retractable. It shall feature a heavy gauge steel frame and dual support arms. The reel shall feature a positive lock and unlock ratchet, and shall be equipped with a 3/8" X 50' (minimum hose with ball stop. The reel shall be complete with a control valve and Z-swivel.

**MISCELLANEOUS ITEMS:**

- 4.9.40 An auxiliary platform will be installed between the main platform and the chassis cab as required for additional fluid systems. The platform will measure a minimum 58"L x 95" W maximum and must have the same tank containment system as the main platform. The platform is to have a minimum 485 gallon capacity. The platform must not exceed 1,200 lbs and will be equipped with hose reels and pump.
- 4.9.41 The platform mounting system will utilize 3/8 "fixed shear plates and spring loaded tie downs to allow the platform and chassis to flex independently from each other when vehicle is in motion.
- 4.9.42 A quick fill system for filling product tanks is required. Quick couplers centrally located in the rear reel enclosure.
- 4.9.43 Two underbody toolboxes will be required. Underbody toolboxes to be mounted under the body, one each side and will be the largest size and capacity allowed by space available. The auxiliary platform has full height vertical cabinets.
- 4.9.44 Installed body will have mud flaps front and rear as needed, anti-sail devices will also be installed as required.
- 4.9.45 Meters and gauges for each tank shall be present and mounted at a location for operator convenience.
- 4.9.46 An emergency stop control will be included to outside on the lubrication body to shut down operations.
- 4.9.47 One 20 lb. fire extinguisher to be installed outside on the lubrication body.

4.10	ITEM	QUANTITY	DESCRIPTION
	8	1	>33,000 GVWR Grappler Truck (Turnkey Unit)
4.10.1	ENGINE:		In line six (6) cylinder, minimum 8.9 liter, diesel, minimum 330 net HP rated at not more than 2400-RPM, producing a minimum of 950 lb. ft. of gross torque rated at not more than 1400-RPM. Engines to be equipped with OEM or equal shut down control on high water temperature and low oil pressure. Electronic engine controls must have all necessary components and wiring to allow for complete operation of a power take off at a pre-determined RPM using an in-cab control (must be load sensitive). Maximum road speed to be electronically limited to 60-MPH +/-2-MPH. Cruise control will not be activated. Engine will have automatic shut down feature enabled after 5-minutes of idle time.
4.10.2	GVWR:		Greater than 33,000 lbs
4.10.3	TRANSMISSION:		Allison 3000-RDS or proven equal. Push button gear selector and transmission temperature gauge is required.
4.10.4	FRONT AXLE:		Set back, minimum 14,000-lbs. capacity with minimum 14,000-lbs. springs, hub piloted steel hubs, ends equipped for disc brakes, with Stemco or equal front wheel visible cap bearing oiler. Front shock absorbers to be heaviest duty available for specified axle.
4.10.5	REAR AXLE:		Minimum 23,000-lbs. capacity with 23,000-lbs. spring capacity, minimum 4,000-lbs. multi leaf auxiliary springs, equipped with hub piloted steel hubs, ends equipped for disc brakes. Will be equipped with driver controlled differential lock (DCDL) with warning light and buzzer to indicate engagement located on dash. Stemco or equal oil rear seals. Drive train geared to attain 70-MPH +/- 2-MPH at full engine governed RPM
4.10.6	WHEELS & TIRES:		Wheels to be 10-hole hub piloted steel disk wheel, 22.5 X 8 ¼ painted white. Tires -- Front tires are to be 315/80R 22.5 20 ply and rear tires are to be 11R 22.5 16 ply, tubeless steel belted radial tires. Loose wheel stud/lug indicators shall be installed on all wheels, color orange.
4.10.7	BRAKES:		Full air disc brake with dust shields and ABS brake control system. Brakes to be the maximum O.E.M size offered of disc brakes front and rear to meet or exceed August 2011 Federal brake requirements. Air disc brake internal adjuster's front and rear. Minimum 15 CFM compressor, Midland Pure Air Plus dryer model DA-33100, or proven equal, with automatic drain valves Model KN24000 or equal on all tanks. It is preferred that the air tanks be grouped together, easily accessible to an operator standing at the side of the truck. If not possible, all air tank drains shall be plumbed to a manifold system where drain valves are at one location, easily accessible to an operator standing at the side of the truck. Spring set parking brakes on rear axle. Female coupling ½" Milton M Type or approved equal to air tanks. connected to the emergency side of air system, to be located in a protected area near the front bumper.
4.10.8	FUEL SYSTEM:		To be equipped with minimum capacity of 70-gallons, aluminum or steel tank. Fuel filtration system to include primary and secondary filter with water separator. Fuel filler neck is required to have a, full flow screen. Truck will be delivered with a full fuel tank and DEF fluid, if applicable. Fuel tank and DEF tank shall be mounted street side. Diesel Exhaust Fluid (DEF) Gauge inside of cab.
4.10.9	FRAME:		Minimum 3,200,000-RBM, full re-enforced, "C" channel, heat treated, 110,000-PSI steel. Fenders: 2 double heavy duty steel over rear tires.
4.10.10	EXHAUST SYSTEM:		Muffler with horizontal exhaust tailpipe and defuser. Must extend to the rear of the vehicle to allow for a 22-foot body (termination within two feet of rear axle is acceptable.) A heat shield, installed under frame rails and around the muffler and exhaust pipes, to protect but not interfere with PTO, hydraulic pump or hoses and to keep excessive heat from radiating to the operator position. Truck will be delivered with a minimum 6 gallon DEF fluid tank.
4.10.11	TOW HOOKS/WINCH ASSEMBLY:		Two front tow hooks installed on frame and strengthened sufficiently to lift, pull, and tow truck without damaging bumper or other body parts. A wire rope, minimum 1-inch diameter, shall be provided and fastened to both tow hooks to attach tow equipment. A winch assembly to be mounted on the frame of the truck. Electric type winch with minimum 12,000 pound single line pull. Minimum cable drum capacity two hundred feet (200'). Winch to have power in and out capability and be configured with a free spooling clutch and adjustable brake.

- 4.10.12 ELECTRICAL: Minimum 1800 CCA battery with a master battery cut-off switch located in the cab of vehicle and accessible from outside of driver door. Alternator shall be rated a minimum 130 amp capacity. To be equipped with oil pressure, water temperature, tachometer, hour meter, and volt or amp gauges. All wiring to be of high quality, abrasion resistant, and to be protected by looms or conduit and terminate in a watertight junction box (unprotected wiring is not acceptable). All wire terminals to be self-sealing and water proof. Jump start studs shall be provided and installed in an area easily accessible for use.
- 4.10.13 LIGHTING: All lights on cab and chassis and or bodies are to be of LED (Light Emitting Diode) type with an On/Off control switch when truck is powered down. If LED front turn signals are not available from the chassis OEM, standard lights may be used. Two strobe lights (WHELEN TIR-6, P/N 01-0663507A33B, SUPER-LED, 500 SERIES DIRECTIONAL WARNING LIGHT or proven equal) will be mounted as high as possible in the grill of the truck. The two (2) front grill mounted strobe lights and rear strobe lights will be wired to be lit whenever the battery disconnect switch is in the "on" position.
- 4.10.14 CAB: Air ride suspension cab with running boards, tilt hood, and fenders, left and right hand cab grab handles, and manufacturer's standard AM/FM with CD and Auxiliary input radio. Exterior sun visor, painted the same color as truck. Doors to have armrests. Units to be factory equipped with installed OEM air conditioner, integral heater, defroster units, insulated cab headliner, standard left and right side sun visor, left and right outside mirrors, motorized, west coast type, right and left hand, heavy-duty, 6-inches x 16-inches split focus, (approximately 2/3 flat area, 1/3 adjustable convex) breakaway type. Parabolic mirrors installed on both front fenders to provide view of obstacles on right side of truck from front bumper to rear wheels. Driver seat to be high back bucket type, National Cush-n-Aire or equal. Passenger seat to be non-suspension two man bench seat. Seat belt will be safety orange (seat belt cover not acceptable). Doors will have power windows and locks. Side and rear windows will have factory and the darkest allowable by law aftermarket tinting.
- 4.10.15 PTO: A transmission mounted PTO and direct, or driveline mounted, pump rated at the loader manufactures recommended pressure and GPM requirements, will be installed and compatible with the truck transmission (Allison -3000-RDS). The pump must not require more than 1,200-RPM to produce the optimal pressure and flow needed to operate the loader. Pump must be controlled through a speed device that will not allow engagement unless the engine is at idle and the truck transmission is in the neutral position. Pump/PTO must automatically disengage when transmission is shifted out of neutral or engine RPMs exceed 1,300-RPM. Hydraulic oil cooler will be provided .
- 4.10.16 UNITS TO BE EQUIPPED WITH THE FOLLOWING ITEMS:
- 4.10.16.1 Minimum one (1) electrical and one (1) air horn that meets DOT standards.
  - 4.10.16.2 Integral power steering
  - 4.10.16.3 Turn indicators, front and rear, stop and tail lights
  - 4.10.16.4 Windshield washers and variable speed wipers
  - 4.10.16.5 Adjustable steering column
  - 4.10.16.6 Cigar lighter/Power port for use with cell phone
  - 4.10.16.7 Electronic back up alarm
  - 4.10.16.8 DOT reflector triangle kit securely mounted in cab
  - 4.10.16.9 5-lb., ABC rated fire extinguisher securely mounted in cab
  - 4.10.16.10 Bracket for 3 ½-gallon water cooler mounted at a location approved by Solid Waste Coordinator before delivery of the first unit.
  - 4.10.16.11 Current State inspection decal
  - 4.10.16.12 Decal showing the total height of the unit displayed on the dash.
  - 4.10.16.13 Cone rack mounted between cab and body.
  - 4.10.16.14 Power door windows and locks.
  - 4.10.16.15 Hour meter.
  - 4.10.16.16 DELETED
  - 4.10.16.17 DELETED

**SPECIFICATIONS GRAPPLER BODY:**

- 4.10.17 LENGTH: Approximately 22' feet, sized to accept trash bucket in travel position with boom straight not more than 6-inches of empty space between rear end of bucket and tailgate with the boom in the horizontal position.
- 4.10.18 INSIDE WIDTH: Minimum 94" inches

- 4.10.19 LONGITUDINAL SILLS: Minimum 7-inch, 9.8-lb., high strength steel channel or 2" x 6" x 1/4" inch structural tubing.
- 4.10.20 CROSS SILLS: Minimum 4" inches, formed box channel of "C" section high strength steel, 10-gauge, or 3" inch, 4.1-lb. structural channel. Sills to be installed on maximum 12" inch centers.
- 4.10.21 SIDE AND END RAILS: Minimum 5" inch deep, 10-gauge, 3" inch deep for units using 4.1-lb. structural channel.
- 4.10.22 FLOOR: Minimum 1/4-inch, steel tread plate for units with floor welded to cross members or minimum 3/16-inch, steel tread plate for units with a minimum of 5, floor support long sills, formed of minimum 12-gauge steel channel with floor welded to long sills. All welds may be stitched welded, no spot-welding. A 1/2-inch steel plate will be welded to the floor (bed width and 4-feet long) at the rear of floor and directly under the trash bucket travel position (opened, with jaws to the left and right sides of the body longitudinal centerline).
- 4.10.23 LIGHTING: All lighting and reflectors will meet or exceed D.O.T. requirements. Reflectors shall be attached with mechanical fasteners. Stop lights, turn signals, backup, marker, and clearance lights shall be LED-type and mounted to reduce the possibility of damage from contact with brush. Four, high intensity strobe lights (WHELEN TIR-6, P/N 01-0663507A33B, SUPER-LED, 500 SERIES DIRECTIONAL WARNING LIGHT or proven equal) to be installed, one in each corner of the tailgate. The two (2) front grill mounted strobe lights and rear strobe lights will be wired to be lit whenever the battery disconnect switch is in the "on" position. Amber mid-ship clearance/turn signal lights shall be mounted on both sides of body.
- 4.10.24 SIDES & HEAD: Body sides and head to be manufactured of 10-gauge steel (minimum ASTM A-570) with a 3-inch wide return type rolled upper rail. Single piece construction of sides is desirable. Two-piece construction is acceptable only if seams are vertical and centered on the body with one additional vertical brace centered and welded to the outside of the seam. Heads will be of single piece construction. Side vertical braces (minimum 7), evenly spaced each side for structural channel, formed, 6-inch x 3-inch channel, manufactured of minimum 10-gauge steel, firmly welded to sides and floor. Head to have a minimum of two such vertical braces evenly spaced from sides and center. Sides and head to be bed length and 48-inches high from bed level. All sides, head, and braces, to be welded to body floor. Self-cleaning sides will be installed to outside of bed (minimum 10-gauge material) at approximately a 45 degree angle. Install minimum 3/16-inch plates on inside of bed to form self-cleaning floor at approximately 45 degrees. Ends of self-cleaning sides must be completely boxed. All welds to be continuous, no spot-welding. Designs using 4-inch X 3-inch box tubing instead of 3-inch wide return type rolled upper rails are acceptable if such tubing is installed using a continuous weld from front to rear at the upper edge of the body so that ends are completely boxed.
- 4.10.25 TAILGATE: Barn door type, hinged at right side of tailgate allowing tailgate to swing out fully to right side of trailer. Two hinges evenly spaced from top to bottom, with minimum 1"-inch hinge pins. Heavy-duty provisions to secure door in full open position against body side required. Tailgate to be manufactured of minimum 10-gauge steel with boxed type reinforcements on all sides with basic sheet wrapped over top and under bottom. Base section must be sloped to form a dirt-free self-cleaning edge. A positive firm locking latch, which can be operated from ground level, will be used to secure the doors in the closed position. Minimum three (3) each, ratchet type cam locks, along with guides to be installed on left side of door to ensure proper door closure. Design of door must include support of door on body platform instead of sides when door are closed. All hinges will have Zerk fittings to facilitate lubrication.
- 4.10.26 TOOL BOX: A lockable, watertight, toolbox, approximately 18-inches high X 20-inches wide X 18-inches deep to be mounted on the curb side of vehicle frame, under the body
- 4.10.27 SAND BOX: A metal container to carry approximately 200 lb. of sand will be attached to the sidewalk side of the truck. Exact location will be determined with first article.
- 4.10.28 PAINT: Body must be properly cleaned and prepared prior to painting. Primer coat to be thoroughly dry prior to final two coats. Body color will be Medium Grey Metallic, Sherwin-Williams, Dimensions, urethane enamel, paint code – DFP386, mix code - # 50374.
- 4.10.29 All components to be designed, installed, tested, and adjusted prior to delivery. Unit to be fully functional and ready for use upon delivery.

#### **SPECIFICATIONS HYDRAULIC LOADER:**

- 4.10.30 CONSTRUCTION: High tensile strength steel used in all major structural members such as A-frame legs, boom ears, boom spars, and stabilizers. Positive lubrication must be available to each wear point Boom rotation must

be made through a hydraulic rotary drive motor. Elevation and knuckling of boom and operation of stabilizing outrigger jacks will be through double acting hydraulic cylinders with controls located at the operator's platform. All movements – swing, knuckle, lift, rotate, and bucket action will be able to be accomplished simultaneously without jerking or other unnatural actions of the loader. A two stage pump will be provided to meet this requirement. All boom and outrigger pivot points to have bronze, brass, or steel bushings with grease fittings.

4.10.31 BOOM LENGTH: Maximum 22 feet, minimum 21 feet, without telescoping boom.

4.10.32 BOOM ELEVATION: Minimum 75-degrees above horizontal

4.10.33 WORK SPACE: A minimum 24" +/- 3" inch work space will be maintained between back of cab and loader and a minimum 12" inch work space between loader and body.

4.10.34 OUTRIGGERS: Outriggers to be hydraulic telescoping type with stabilizer pads, individually adjustable for operating height. Outside shell of out riggers will be braced/reinforced to prevent bowing. Replaceable wear blocks and/or an effective lubrication system will be installed to prevent excessive wear of the internal leg of the outrigger. Edges of stabilizer pads will curve up to prevent gouging street material. A90-decibel audio alarm will sound when the outriggers are being extended. Two eye hooks capable of securing outriggers in the travel mode will be installed as back up for hydraulic failure.

4.10.35 ROTATION OF BOOM: 360 degree continuous rotation. An electrical Collector will be installed to ensure electrical wiring will not be damaged by continuous rotation of the boom. A boom lock will be installed at the operator station to prevent boom swing during transport.

4.10.36 SWIVEL COUPLINGS: Hoses must be equipped with swivel couplings which prevent twisting of hoses when boom is swung through its entire rotational arc.

4.10.37 CONSTRUCTION: High tensile strength steel used in all major structural members such as a-frame legs, boom ears, boom spars, and stabilizers. Positive lubrication must be available to each wear point.

4.10.38 TRASH BUCKET: Combination type bucket designed for solid waste and brush collection with fully enclosed sides. Bucket to be Rotobec model 045W (City of San Antonio option to include curved jaws and special closing cylinders). Cylinders, hoses, and hydraulic lines must be protected from debris protruding through bucket with steel plates. Hoses will also be covered with anti-wear material.

4.10.31 BOOM LENGTH: Maximum 22 feet, minimum 21 feet, without telescoping boom.

4.10.40 CRANE STABILITY: Minimum 2-inches upper and lower steel plates will be used to mount the crane to the vehicle frame. The frame will be reinforced with minimum 3-inches braces located adjacent to the mounting bolts, with stops welded on chassis frame to prevent sliding.

4.10.41 Minimum lifting capacity less bucket:

	<u>LOAD</u>	<u>RADIUS FROM CENTER</u>
4.10.41.1	5,400-lbs	15-feet
4.10.41.2	8,000-lbs	10-feet

4.10.41 ADDITIONAL REQUIREMENTS:

4.10.41.1 Install a safety cradle around operator seat approximately 3-inches wider than seat, level with the seat in the folded position, and not more than 18" inches to the rear. Material to be 1 1/4-inches steel tubing firmly mounted and must not interfere with operator's range of motion. A main engine cutoff switch to be equipped in the grappler operator area.

4.10.41.2 Install a safety belt on operator's seat.

4.10.41.3 All safety equipment required to meet Federal and State safety standards to include under ride protection and conspicuity markings will be furnished and installed.

4.10.41.4 Ladders to provide access to work station on left and right side of loader, configured with minimum of 4 non-slip step, minimum 1-inch tread depth. Ladders will angle towards loader from bottom rail. Hand rails will be provided.



4.10.41.5 A switch, easily accessible to the crane operator, to sound a signaling device. Signal must be loud enough to be heard over the loader during operation.

4.10.41.6 Boom guards will be installed on both boom segments.

4.10.41.7 DELETED

4.11	ITEM	QUANTITY	DESCRIPTION
	9	1	>26,000 Minimum GVWR 5 Cubic Yard Dump Truck

4.11.1 ENGINE: Minimum 6 cylinder with not less than 210 HP at 2,500M; 520 lb ft torque. ✓

4.11.2 GVWR: Minimum 26,000 lbs ✓

4.11.3 TRANSMISSION/DRIVE: Allison 2500 RDS; or equivalent. ✓

4.11.4 SUSPENSION: Heaviest duty available to include heavy duty shock absorbers, independent struts with stabilization.

4.11.5 TIRES & WHEELS: Six (6) 11R22.5, 10-hole steel disc wheel equipped with truck. Loose lug indicators on front and rear wheels.

4.11.6 BRAKES: Air drum brake for front and rear wheels. Minimum 13 CFM compressor, Midland Pure Air Plus Dryer Model DA33100 or equal with automatic drain valves Model KN24000 or equal on all tanks Quick connect couplings to be located in a protected area near the front bumper. Couplings will not be mounted to the bumper. Female coupling ½" Milton M Type or approved equal to air tanks.

4.11.7 FUEL SYSTEM: Fuel tank shall hold a minimum of 50 gallons of Ultra Low Sulfur Diesel. Diesel Exhaust Fluid (DEF) Gauge inside of cab ✓

4.11.8 SEATING: Capacity to be for three (3) individuals. Driver seat to be reclining with high back, and passenger seating to be 2 man bench type.

4.11.9 BODY/BED: Conventional design. Two (2) front frame mounted tow hooks.

4.11.10 MIRRORS: OEM inside, standard type; outside, left and right, below eye level type, largest available offered by manufacturer, swing away type.

4.11.11 UNIT TO BE EQUIPPED WITH THE FOLLOWING ADDITIONAL EQUIPMENT:

4.11.11.1 Minimum one (1) electrical and one (1) air horns. ✓

4.11.11.2 Integral power steering. ✓

4.11.11.3 Turn indicators, front and rear, stop and tail lights. ✓

4.11.11.4 Tachometer. ✓

4.11.11.5 Adjustable steering column. ✓

4.11.11.6 Cigar lighter/Power port for use with cell Phone ✓

4.11.11.7 Water temperature, oil pressure and volt or amp gauges. ✓

4.11.11.8 DOT reflector flare kit. ✓

4.11.11.9 Electronic back up alarm. ✓

4.11.11.10 5 lb. fire extinguisher. ✓

4.11.11.11 Fixed interval wiper control with windshield washer. ✓

4.11.11.12 Minimum four (4) factory installed up-fitter switches ✓

4.11.11.13 Cab is to be School Bus Yellow ✓

**5-6 CUBIC YARD DUMP BODY:**

4.11.12 STANDARD BODY CONSTRUCTION: Body to be 10' X 7' inside and be constructed of minimum 7 gauge steel. Body shall have a 2" radius between sides and floor to provide easier and cleaner discharge of load. Sides shall

be adequately side braced and rub rails be sloped dirt-free self-cleaning type. All welds shall be continuous on floor side, head seams, braces, etc., NO SKIP WELDS. Side boards to be minimum 2" x 6" x 1/4" structural rectangular tubing. Long sills shall be constructed of minimum 5" I-beam with a 1/4" web. Crossmembers shall be constructed of minimum 4" I-beam with a 3/16" web. Crossmembers to be on maximum 12" centers, must extend under rub rails and side post, be gusseted to body long sills and welded to long sills on all sides. Rear corner posts shall be a minimum of 10" wide and constructed of minimum 7 gauge steel which meets the above mentioned standard. Body shall have a half size cab protector. Body sub-frame to have external guides installed to guide body into proper alignment with sub-frame, to prevent side movement during travel.

4.11.13 TAILGATE: Tailgate shall be of the double-acting type, constructed with boxed type reinforcements on all sides. Base section must be of the sloped, dirt-free self-cleaning type. Upper tailgate hardware to be minimum 3/4" thick, flame cut steel. Tailgate locks must be easy to manipulate and provide firm locking. Tailgate spreader chains to be attached directly under upper tailgate crossmember and configured to allow multiple positioning of tailgate to include horizontal. All welds to be continuous, no spot or skip welding.

4.11.14 PIVOTS & PINS: All pivots shall be equipped with grease fittings.

4.11.15 HYDRAULICS: Hoist shall be heavy duty, double lift arm hoist. Hoist to be type V, underbody hoist. Fifty degree (50 degree) dump angle +/- 2 degrees, with truck chassis frame tapered at rear to form a positive stop with rails of dump box (a full mating surface is required) at maximum dump angle. Hydraulic pump to be close couple direct mount to power take off. Pump to be air controlled with feathering valve. Hydraulic system to include in-line hydraulic filter. Pump and P.T.O. controls to be firmly mounted in cab where it is easily accessible from driver's position. Cable or rod operated controls are not acceptable. Units will be provided with safety limit equipment designed to stop the dump body at its maximum dump angle. Safety limit equipment to include a flexible wand type switch and an air solenoid valve rated at not less than 125 PSI. Hoist installation must provide for use of the entire cylinder stroke when reaching maximum dump angle. The only acceptable substitute to the above requirement for a flexible wand type switch and air solenoid valve will be for a system designed with an internal bypass stroke limit system. Hoist assemblies with the tie rod design for cylinder construction are not acceptable.

4.11.16 OTHER EQUIPMENT: All necessary clearance lights, marker lights, reflectors, mud flaps and mechanical backup alarm to be included and meet State Inspection requirements.

4.11.17 DUMP BODY COVER ASSEMBLY: Tarp system to be equipped with steel arms. Motor will be mounted in the "down" position. A weather proof control panel, with a minimum 25-amp reset breaker, to operate tarp system will be located in conjunction with the hydraulic controls. Controls to operate the tarp system will not be placed in the cab of the tractor. Control to be accessible in the cab.

4.11.18 MUD FLAPS: Mud flaps to be manufactured of a rubber base material are to be installed on both sides of vehicle, front and rear of rear tires. Front mud flaps to have anti-sail device. Rear flaps to be free swinging. Mud flaps to be minimum 1.5 lbs. per square foot and plain black without identifying markings.

4.11.19 COLOR: Unit is to be School Bus yellow

4.11.20 SAFETY: Unit to be equipped with a back up alarm, triangle kit, 5 lb fire extinguisher, and all safety markings/decals per DOT regulations.

4.12	ITEM	QUANTITY	DESCRIPTION
	10	2	60K Fifth Wheel Tractor Truck

4.12.1 ENGINE: Diesel, minimum 500 net horsepower rated at manufacturers recommended RPM, producing a minimum of 1850 ft lb. of gross torque and should be at +/- 70% of engine ground RMP. Nominal torque rise minimum 25%, with viscous or electromagnetic fan clutch. Road speed electronically governed to 70 MPH +/- 2 MPH.

4.12.2 GVWR: Minimum 60,000 lbs.

4.12.3 TRANSMISSION: Fuller FR-RTLO-18918B, or proven equal. 18 Speed

- 4.12.4 REAR AXLE: Tandem axle configuration- 6x4 tandem axle design. Single speed tandem drive, minimum 46,000 lbs capacity to be Rockwell RT 46-160 or equal. Gear ratio installed must be capable of 65 +/- 2 mph geared road speed at full engine governed RPM. Driver controlled differential locks on both rear axles.
- 4.12.5 FRONT AXLE: Minimum 20,000 lbs. capacity with 20,000 lbs. spring with Stemco or proven equal front wheel bearing oiler or maintenance free axle approved. To include heavy duty front shocks.
- 4.12.6 REAR SUSPENSION: Minimum 46,000 lbs. capacity.
- 4.12.7 WHEELS AND TIRES: Front wheels to be 10 hole hub piloted, 22.5X 9 steel disk wheels, minimum 315/80R 22.5, steel belted tubeless radials, rated 10,000 lbs each. Front wheels to be highway tread design. Real dual wheel application to be 11R 22.5 on/of, self cleaning, lug design. Loose lug indicators on front and rear wheels.
- 4.12.8 BRAKES: Full air, S-cam type, with dust shields, manufacture's heavy duty brake shoes, spring set parking brakes. Front and rear Rockwell (or equal) automatic slack adjusters. Minimum 13CFM compressors, Midland Pure Air Plus Model DA33100 (or equal) with automatic drain valves Model KN24000 (or equal). Spring set parking brakes on both rear axles. All brake drums to be cast iron. Brake linings to be non-asbestos. Female coupling ½" Milton M Type or approved equal to air tanks located in an area near the front bumper for emergency brake release.
- 4.12.9 FUEL SYSTEM: Single left or right hand steel tank mounted under cab or dual left and right hand step tanks mounted under cab. Minimum total fuel capacity to be 70 gallons. Fuel filtration to include primary and secondary filtering systems with automatic water separator. Diesel Exhaust Fluid (DEF) Gauge inside of cab
- 4.12.10 FRAME: Full depth, high performance, minimum 3,000,000 RBM
- 4.12.11 EXHAUST SYSTEM: Vertical tailpipe, heat guard, turn out, mounted to allow full utilization of specified cab to trunion length.
- 4.12.12 ELECTRICAL: Units to be equipped with three (3) minimum 12-volt, heavy duty batteries (total 2100 CCA).
- 4.12.13 CLUTCH: Minimum 15.5", 2 plate, heavy duty ceramic faced. Release bearing to have Zerk extension hose
- 4.12.14 ACCESSORIES: Tractor air brake system and 7-line trailer connector. Two (2) high intensity strobe lights (Whelan TIR-6, P/N 01-0663507A33B, Super LED, 500 Series Directional Warning Light or proven equal) to be installed, tow (2) in the front. All strobe lights will operate automatically whenever ignition switch is on, and also from OEM dash mounted toggle switch with no key in ignition. A catwalk and access steps constructed of expanded metal grating or perforated metal to provide a non-slip surface. Material finish will be in black color. Aluminum will be acceptable unfinished. Provided and installed between the truck frame rails behind the cab and to extend all the way to the fifth wheel slide, to provide the operator a place to stand while making hydraulic, electrical, and pneumatic connections. Catwalk will be mounted as to not contact trailer while traversing uneven terrain. Vehicle shall have full coverage split rear steel fenders covering all wheels as to not contact trailer. An 8" convex mirror to be installed below the door mirror on both sides and fender mirrors to be installed on the right and left front fenders.
- 4.12.15 FIFTH WHEEL: Holland FW-35, "36" air slide (or proven equal). Fifth wheel to extend above rear fenders as to not cause trailer contacting fender under operations in uneven terrain.
- 4.12.16 HEADER RACK: To hold ½ inch chains and booms with full expanded metal coverage; material to be heavy gauge metal or heavy gauge aluminum, finish will be black color. Aluminum will be acceptable unfinished.
- 4.12.17 EMERGENCY LIGHT BAR: Acceptable model will be equal to or greater than the Whelan model FX2AAAA all amber. Two (2) halogen rear work lights (acceptable model, Whelan model FLWL2) to include two (2) amber inboard super LED light heads. (acceptable model Whelan model FLDAA). Light bar to be wired to switchbox located in cab.
- 4.12.18 WET KIT: A truck mounted wet kit will be provided and installed. A transmission mounted PTO and direct mount pump will be installed on the truck transmission which produces 50-90% of engine RPM. A metal hydraulic reservoir to be mounted behind cab and be a minimum of 75 gallon capacity. Hydraulic controls to be mounted inside truck cab readily accessible to the driver. All valves and fittings required to make wet kit and trailer completely operational to include one female quick coupler (Aeroquip 6-5100-2516 or equal) and one male quick

coupler (Aeroquip 6-5100-52-16B or equal). Wet kit to be filled to capacity with SAE 10 Hydraulic oil meeting MIL-L-46152 specifications. Wet kit pump shall be configured to be used with life bottom trailers.

4.12.19 PUSHER AXLE: To be configured as a tri axle, to be a minimum of 13,000 lbs and be air actuated to lift when not in operation. Ride height of a minimum 12 inches.

## 005 - SUPPLEMENTAL TERMS & CONDITIONS

### Original Contract Term.

This contract shall begin upon the effective date of the ordinance awarding the contract, or date specified in the award letter if this contract does not exceed \$50,000. This contract shall terminate upon completion of all work described herein or delivery of all goods ordered, as applicable.

### Liquidated Damages for Delay:

The parties agree that the actual damages that might be sustained by the City by reason of the breach by Vendor of its covenant to make delivery within the time specified herein, is uncertain and would be difficult of ascertainment, and that the sum of \$100.00 per day per unit for each day that delivery is late would be a reasonable compensation for such breach. Vendor hereby promises to pay, and City hereby agrees to accept, such sum as liquidated damages, and not as a penalty, in the event of such breach. Furthermore, the parties agree that City may withhold said liquidated damages from any payments due to Vendor hereunder. If Vendor's delay exceeds 30 days, City may, at its option, elect to terminate this contract in whole or in part. In such event, City may pursue actual damages, rather than applying this liquidated damages provision.

### Change Orders.

Notwithstanding anything stated to the contrary in Section 006 – General Terms & Conditions, in order to comply with Texas law governing purchases made by municipalities, the following rules shall govern all change orders made under this contract.

Any change orders that become necessary during the term of this contract as a result of changes in plans, specifications, quantity of work to be performed, materials, equipment or supplies to be furnished must be in writing and conform to the requirements of City Ordinance 2011-12-08-1014, as hereafter amended.

Any other change will require approval of the City Council, City of San Antonio.

Changes that do not involve an increase in contract price may be made by the Director.

No oral statement of any person shall modify or otherwise change, or affect the terms, conditions or specifications stated herein.

### Insurance.

Prior to the commencement of any work under this Agreement, Vendor shall furnish copies of all required endorsements and completed Certificate(s) of Insurance to the City's Finance Department-Purchasing Division, which shall be clearly labeled "Purchase of Medium and Heavy Duty Trucks" in the Description of Operations block of the Certificate. The Certificate(s) shall be completed by an agent and signed by a person authorized by that insurer to bind coverage on its behalf. City will not accept a Memorandum of Insurance or Binder as proof of insurance. The certificate(s) must have the agent's signature and phone number, and be mailed, with copies of all applicable endorsements, directly from the insurer's authorized representative to City. City shall have no duty to pay or perform under this Agreement until such certificate and endorsements have been received and approved by City's Finance Department-Purchasing Division. No officer or employee, other than City's Risk Manager, shall have authority to waive this requirement.

City reserves the right to review the insurance requirements of this Article during the effective period of this Agreement and any extension or renewal hereof and to modify insurance coverages and their limits when deemed necessary and prudent by City's Risk Manager based upon changes in statutory law, court decisions, or circumstances surrounding this Agreement. In no instance will City allow modification whereby City may incur increased risk.

A Vendor's financial integrity is of interest to City; therefore, subject to Vendor's right to maintain reasonable deductibles in such amounts as are approved by City, Vendor shall obtain and maintain in full force and effect for the duration of this Agreement, and any extension here of, at Vendor's sole expense, insurance coverage written on an occurrence basis, unless otherwise indicated, by companies authorized to do business in the State of Texas and with an A.M Best's rating of no less than A- (VII), in the following types and for an amount not less than the amount listed below:

TYPE	AMOUNTS
1. Workers' Compensation 2. Employers' Liability	Statutory \$500,000/\$500,000/\$500,000
3. Broad form Commercial General Liability Insurance to include coverage for the following: a. Premises operations b. Independent Contractors c. Products/completed operations d. Personal Injury e. Contractual Liability f. Damage to property rented by you	For Bodily Injury and Property Damage of \$1,000,000 per occurrence; \$2,000,000 General Aggregate, or its equivalent in Umbrella or Excess Liability Coverage  \$100,000
4. Business Automobile Liability a. Owned/leased vehicles b. Non-owned vehicles c. Hired Vehicles	Combined Single Limit for Bodily Injury and Property Damage of \$1,000,000 per occurrence

Vendor agrees to require, by written contract, that all subcontractors providing goods or services hereunder obtain the same insurance coverages required of Vendor herein, and provide a certificate of insurance and endorsement that names Vendor and City as additional insureds. Vendor shall provide City with said certificate and endorsement prior to the commencement of any work by the subcontractor. This provision may be modified by City's Risk Manager, without subsequent City Council approval, when deemed necessary and prudent, based upon changes in statutory law, court decisions, or circumstances surrounding this agreement. Such modification may be enacted by letter signed by City's Risk Manager, which shall become a part of the contract for all purposes.

As they apply to the limits required by City, City shall be entitled, upon request and without expense, to receive copies of the policies, declaration page, and all endorsements thereto and may require the deletion, revision, or modification of particular policy terms, conditions, limitations, or exclusions (except where policy provisions are established by law or regulation binding upon either of the parties hereto or the underwriter of any such policies). Vendor shall be required to comply with any such requests and shall submit a copy of the replacement certificate of insurance to City at the address provided below within 10 days of the requested change. Vendor shall pay any costs incurred resulting from said changes.

City of San Antonio  
Attn: Finance Department-Purchasing Division  
P.O. Box 839966  
San Antonio, Texas 78283-3966

Vendor agrees that with respect to the above required insurance, all insurance policies are to contain or be endorsed to contain the following provisions:

Name City, its officers, officials, employees, volunteers, and elected representatives as additional insureds by endorsement, as respects operations and activities of, or on behalf of, the named insured performed under contract with City, with the exception of the workers' compensation and professional liability policies;

Provide for an endorsement that the "other insurance" clause shall not apply to the City of San Antonio where City is an additional insured shown on the policy;

Workers' compensation, employers' liability, general liability and automobile liability policies will provide a waiver of subrogation in favor of City; and

Provide advance written notice directly to City of any suspension, cancellation, non-renewal or material change in coverage, and not less than ten (10) calendar days advance notice for nonpayment of premium.

Within five (5) calendar days of a suspension, cancellation or non-renewal of coverage, Vendor shall provide a replacement Certificate of insurance and applicable endorsements to City. City shall have the option to suspend Vendor's performance should there be a lapse in coverage at any time during this contract. Failure to provide and to maintain the required insurance shall constitute a material breach of this Agreement.

In addition to any other remedies City may have upon Vendor's failure to provide and maintain any insurance or policy endorsements to the extent and within the time herein required, City shall have the right to order Vendor to stop work hereunder, and/ or withhold any payment(s) which become due to Vendor hereunder until Vendor demonstrates compliance with the requirements hereof.

Nothing herein contained shall be construed as limiting in any way the extent to which Vendor may be held responsible for payment of damages to persons or property resulting from Vendor's or its subcontractors' performance of the work covered under this Agreement.

It is agreed that Vendor's insurance shall be deemed primary and non-contributory with respect to any insurance or self insurance carried by City for liability arising out of operations under this Agreement.

It is understood and agreed that the insurance required is in addition to and separate from any other obligation contained in this Agreement and that no claim or action by or on behalf of City shall be limited to insurance coverage provided.

Vendor and any subcontractors are responsible for all damage to their own equipment and/or property.

#### Incorporation of Attachments.

Each of the attachments listed below is an essential part of this contract, which governs the rights and duties of the parties, incorporated herein by reference, and shall be interpreted in the order of priority as appears below, with this document taking priority over all attachments:

Attachment A – Price Schedule

Attachment B – City of San Antonio Local Preference Program Forms

Attachment C – Veteran-Owned Small Business Preference Program Tracking Form

## 006 - GENERAL TERMS & CONDITIONS

Electronic Bid Equals Original. If Vendor is submitting an electronic bid, City and Vendor each agree that this transaction may be conducted by electronic means, as authorized by Chapter 322, Texas Business & Commerce Code, known as the Electronic Transactions Act.

### Delivery of Goods/Services.

Destination Contract. Vendor shall deliver all goods and materials F.O.B., City of San Antonio's designated facility, inside delivery, freight prepaid, to the address provided in this IFB or, if different, in the Purchase Order. Vendor shall bear the risk of loss until delivery. Freight charges will be paid only when expedited delivery is requested and approved in writing by the City. Vendor shall be responsible for furnishing necessary personnel or equipment and/or making necessary arrangements to off load at City of San Antonio facility, unless otherwise noted herein.

Failure to Deliver. When delivery is not met as provided for in the contract, City may make the purchase on the open market, with any cost in excess of the contract price paid by Vendor, in addition to any other direct, indirect, consequential or incidental damages incurred by City as a result thereof. In addition, Vendor may be removed from the City's list of eligible bidders.

Purchase Orders. Each time a City department wishes to place an order against this contract, it will issue Vendor a purchase order. Vendor must have the purchase order before making any delivery.

Acceptance by City. City shall have a reasonable time (but not less than 30 days) after receipt to inspect the goods and services tendered by Vendor. City at its option may reject all or any portion of such goods or services which do not, in City's sole discretion, comply in every respect with all terms and conditions of the contract. City may elect to reject the entire goods and services tendered even if only a portion thereof is nonconforming. If City elects to accept nonconforming goods and services, City, in addition to its other remedies, shall be entitled to deduct a reasonable amount from the price thereof to compensate City for the nonconformity. Any acceptance by City, even if non-conditional, shall not be deemed a waiver or settlement of any defect in such goods and services.

Testing. After award of contract, City may, at its sole option, test the product delivered to ensure it meets specifications. Initial testing shall be at City's expense. However, if the product does not meet specifications, Vendor shall reimburse City for the costs of testing. City may withhold the cost of testing from any amounts owed to Vendor under this or any other contract, or invoice Vendor for same. If invoiced, Vendor shall pay City within 30 calendar days' of the invoice.

Warranty. A minimum of 90-days product guarantee or the manufacturer's standard commercial warranty, whichever is greater, shall apply to all products and/or services purchased under this IFB, unless otherwise specified in the Specifications/Scope of Services section of this IFB. This warranty shall provide for replacement of defective merchandise, parts, and labor, and shall include pick-up of the defective merchandise from City and delivery of the replacement(s) to the same location. The warranty shall be effective from the date of acceptance of the merchandise, or completion of the service, as applicable.

**REJECTION OF DISCLAIMERS OF WARRANTIES & LIMITATIONS OF LIABILITY. ANY TERM OR CONDITION IN ANY DOCUMENT FURNISHED BY VENDOR, DISCLAIMING THE IMPLIED WARRANTY OF MERCHANTABILITY OR OF FITNESS FOR A PARTICULAR PURPOSE, OR ATTEMPTING TO LIMIT VENDOR'S LIABILITY SHALL BE OF NO FORCE OR EFFECT, AND SHALL BE STRICKEN FROM THE CONTRACT DOCUMENTS AS IF NEVER CONTAINED THEREIN.**

### Invoicing and Payment.

Address for Invoices. All original invoices must be sent to: City of San Antonio, Attn: Accounts Payable, P.O. Box 839976, San Antonio, Texas 78283-3976.

### Information Required On Invoice.

All invoices must be in a form and content approved by the City. City may require modification of invoices if necessary in order to satisfy City that all billing is proper and pursuant to the terms of the contract. Invoices are required to show each City Purchase Order Number. Invoices must be legible. Items billed on invoices must be specific as to applicable stock, manufacturer, catalog or part number (if any). All invoices must show unit prices for each item being billed, the quantity of items being billed and the total for each item, as well as the total for all items on the invoice. If prices are



based on list prices basis, then the list prices, the percentage discount or percentage surcharge, net unit prices, extensions and net total prices must be shown. Prompt payment discounts offered shall be shown separately on the invoice.

#### Payment by City.

In accordance with the Texas Prompt Payment Act, City shall have not less than 30 days to pay for goods or services. Time for payment, including payment under discount terms, will be computed from the later of: (1) the date City receives conforming goods under the contract; (2) the date performance of the service under the contract is completed; or (3) the date City receives a correct and valid invoice for the goods or services. Payment is deemed to be made on the date of mailing of the check. Payment is made in US dollars only.

This provision shall not apply where there is a bona fide dispute between City and Vendor about the goods delivered or the service performed that causes the payment to be late, or where the invoice is not mailed to the address provided herein.

The payment amount due on invoices may not be manually altered by City personnel. Once disputed items are reconciled, Vendor must submit a corrected invoice or a credit memorandum for the disputed amount. City will not make partial payments on an invoice where there is a dispute.

**NECESSITY OF TIMELY INVOICE / WAIVER OF PAYMENT.** NOTWITHSTANDING THE FORGOING, THE CITY CANNOT PAY FOR ANY GOODS OR SERVICES WITHOUT AN INVOICE. VENDOR MUST INVOICE CITY NO LATER THAN 90 CALENDAR DAYS FROM THE DATE GOODS ARE DELIVERED OR SERVICES RENDERED. FAILURE TO SUBMIT AN INVOICE WITHIN SAID 90 DAYS SHALL NEGATE ANY LIABILITY ON THE PART OF CITY AND CONSTITUTE A **WAIVER** BY VENDOR OF ANY AND ALL RIGHT OR CLAIMS TO COLLECT MONEYS THAT VENDOR MAY RIGHTFULLY BE OTHERWISE ENTITLED TO FOR GOODS OR SERVICES PERFORMED.

The total price for all goods and/or services is shown on the Price Schedule. No additional fees or expenses of Vendor shall be charged by Vendor nor be payable by City. The parties hereby agree that all compensable expenses of Vendor are shown on the Price Schedule. If there is a discrepancy on the Price Schedule between the unit price for an item, and the extended price, the unit price shall govern.

Change Orders. In order to comply with Texas law governing purchases made by municipalities, the following rules shall govern all change orders made under this contract.

Any change orders that become necessary during the term of this contract as a result of changes in plans, specifications, quantity of work to be performed, materials, equipment or supplies to be furnished may be approved by the Director, provided that such change orders:

- are made in writing, signed by the Director;
- do not involve an increase or decrease in contract price of more than \$25,000; and
- sufficient funds have already been allocated by City or are available to the Director to cover any increase in contract price.

Any other change will require approval of the City Council, City of San Antonio.

Changes that do not involve an increase in contract price may, however, be made by the Director.

No oral statement of any person shall modify or otherwise change, or affect the terms, conditions or specifications stated herein.

#### Termination.

Termination-Breach. Should Vendor fail to fulfill in a timely and proper manner, as determined solely by the Director, its material obligations under this contract, or violate any of the material terms of this contract, City shall have the right to immediately terminate the contract in whole or in part. Notice of termination shall be provided in writing to Vendor, effective upon the date set forth in the notice. City may, in City's sole discretion, provide an opportunity for Vendor to cure the default. If City elects to offer an opportunity to cure, City shall provide notice to Vendor specifying the matters in default and the cure period. If Vendor fails to cure the default within the cure period, City shall have the right, without further notice, to terminate the contract in whole or in part. Such termination shall not relieve Vendor of any liability to the City for damages sustained by virtue of any breach by Vendor.

Termination-Notice. City may terminate this contract, in whole or in part, without cause. City shall be required to give Vendor notice ten days prior to the date of termination of the contract without cause.

Termination-Funding. City retains the right to terminate this contract at the expiration of each of City's budget periods. This contract is conditioned on a best efforts attempt by City to obtain and appropriate funds for payment of any debt due by City herein.

Termination by City may be effected by Director, without further action by the San Antonio City Council.

Independent Contractor. Vendor covenants and agrees that it is an independent contractor and not an officer, agent, servant or employee of City. City shall not be liable for any claims which may be asserted by any third party occurring in connection with the services to be performed by Vendor under this contract and that Vendor has no authority to bind City. The doctrine of respondent superior shall not apply as between City and Vendor.

#### **INDEMNIFICATION.**

**VENDOR covenants and agrees to FULLY INDEMNIFY, DEFEND and HOLD HARMLESS, CITY and the elected officials, employees, officers, directors, volunteers and representatives of CITY, individually and collectively, from and against any and all costs, claims, liens, damages, losses, expenses, fees, fines, penalties, proceedings, actions, demands, causes of action, liability and suits of any kind and nature, including but not limited to, personal or bodily injury, death and property damage, made upon CITY directly or indirectly arising out of, resulting from or related to VENDOR'S activities under this Agreement, including any acts or omissions of VENDOR, any agent, officer, director, representative, employee, consultant or subcontractor of VENDOR, and their respective officers, agents employees, directors and representatives while in the exercise of the rights or performance of the duties under this Agreement. The indemnity provided for in this paragraph shall not apply to any liability resulting from the negligence of CITY, it s officers or employees, in instances where such negligence causes personal injury, death, or property damage. IN THE EVENT VENDOR AND CITY ARE FOUND JOINTLY LIABLE BY A COURT OF COMPETENT JURISDICTION, LIABILITY SHALL BE APPORTIONED COMPARATIVELY IN ACCORDANCE WITH THE LAWS FOR THE STATE OF TEXAS, WITHOUT, HOWEVER, WAIVING ANY GOVERNMENTAL IMMUNITY AVAILABLE TO THE CITY UNDER TEXAS LAW AND WITHOUT WAIVING ANY DEFENSES OF THE PARTIES UNDER TEXAS LAW. In addition, Vendor agrees to indemnify, defend, and hold the City harmless from any claim involving patent infringement, trademarks, trade secrets, and copyrights on goods supplied.**

The provisions of this INDEMNITY are solely for the benefit of the parties hereto and not intended to create or grant any rights, contractual or otherwise, to any other person or entity. VENDOR shall advise CITY in writing within 24 hours of any claim or demand against CITY or VENDOR known to VENDOR related to or arising out of VENDOR's activities under this AGREEMENT and shall see to the investigation and defense of such claim or demand at VENDOR's cost. CITY shall have the right, at its option and at its own expense, to participate in such defense without relieving VENDOR of any of its obligations under this paragraph.

Assignment. Except as otherwise stated herein, Vendor may not sell, assign, pledge, transfer or convey any interest in this contract, nor delegate the performance of any duties hereunder, by transfer, by subcontracting or any other means, without the consent of Director. As a condition of such consent, if such consent is granted, Vendor shall remain liable for completion of the services and provision of goods outlined in this contract in the event of default by the successor Vendor, assignee, transferee or subcontractor. Any attempt to transfer, pledge or otherwise assign this Contract without said written approval, shall be void ab initio and shall confer no rights upon any third person.

Ownership of Documents. Pursuant to Texas Local Government Code Chapter 201, any and all Records produced by Vendor pursuant to the provisions of this contract are the exclusive property of City; and no such Record shall be the subject of any copyright or proprietary claim by Vendor. The term "Record" as used herein shall mean any document, paper, letter, book, map, photograph, sound or video recording, microfilm, magnetic tape, electronic medium, or other information recording medium, regardless of physical form or characteristic. Vendor understands and acknowledges that as the exclusive owner of any and all such Records, City has the right to use all such Records as City desires, without restriction.

#### **Records Retention.**

Vendor and its subcontractors, if any, shall properly, accurately and completely maintain all documents, papers, and records, and other evidence pertaining to the services rendered hereunder ("Documents"), and shall make such Documents available to the City at their respective offices, at all reasonable times and as often as City may deem necessary during the contract period, including any extension or renewal hereof, and the record retention period

established herein, for purposes of audit, inspection, examination, and making excerpts or copies of same by City and any of its authorized representatives.

Vendor shall retain any and all Documents produced as a result of services provided hereunder for a period of four years ("Retention Period") from the date of termination of the contract. If, at the end of the Retention Period, there is litigation or other questions arising from, involving or concerning these Documents or the services provided hereunder, Vendor shall retain the records until the resolution of such litigation or other such questions. Vendor acknowledges and agrees that City shall have access to any and all such Documents at any and all times, as deemed necessary by City, during said Retention Period. City may, at its election, require Vendor to return the documents to City at Vendor's expense prior to or at the conclusion of the Retention Period. In such event, Vendor may retain a copy of the documents.

Vendor shall notify City, immediately, in the event Vendor receives any requests for information from a third party, which pertain to the Documents referenced herein. Vendor understands and agrees that City will process and handle all such requests.

**Severability.** If any clause or provision of this contract is held invalid, illegal or unenforceable under present or future federal, state or local laws, including but not limited to the City Charter, City Code, or ordinances of the City of San Antonio, Texas, then and in that event it is the intention of the parties hereto that such invalidity, illegality or unenforceability shall not affect any other clause or provision hereof and that the remainder of this contract shall be construed as if such invalid, illegal or unenforceable clause or provision was never contained herein. It is also the intention of the parties hereto that in lieu of each clause or provision of this contract that is invalid, illegal, or unenforceable, there be added as a part of the contract a clause or provision as similar in terms to such invalid, illegal or unenforceable clause or provision as may be possible, legal, valid and enforceable.

**Compliance with Law.** Vendor shall provide and perform all services required under this Agreement in compliance with all applicable federal, state and local laws, rules and regulations.

**Certifications.** Vendor warrants and certifies that Vendor and any other person designated to provide services hereunder has the requisite training, license and/or certification to provide said services, and meets all competence standards promulgated by all other authoritative bodies, as applicable to the services provided herein.

**Non-waiver of Performance.** Unless otherwise specifically provided for in this Agreement, a waiver by either Party of a breach of any of the terms, conditions, covenants or guarantees of this Agreement shall not be construed or held to be a waiver of any succeeding or preceding breach of the same or any other term, condition, covenant or guarantee herein contained. Further, any failure of either Party to insist in any one or more cases upon the strict performance of any of the covenants of this Agreement, or to exercise any option herein contained, shall in no event be construed as a waiver or relinquishment for the future of such covenant or option. In fact, no waiver, change, modification or discharge by either party hereto of any provision of this Agreement shall be deemed to have been made or shall be effective unless expressed in writing and signed by the party to be charged. No act or omission by a Party shall in any manner impair or prejudice any right, power, privilege, or remedy available to that Party hereunder or by law or in equity, such rights, powers, privileges, or remedies to be always specifically preserved hereby.

**Venue.** Venue of any court action brought directly or indirectly by reason of this contract shall be in Bexar County, Texas. This contract is made and is to be performed in Bexar County, Texas, and is governed by the laws of the State of Texas.

**Non-discrimination.** As a condition of entering into this agreement, Vendor represents and warrants that it will comply with City's Commercial Nondiscrimination Policy, as described under Section IILC.1 of the SBEDA Ordinance. As part of such compliance, Vendor shall not discriminate on the basis of race, color, religion, ancestry or national origin, sex, age, marital status, sexual orientation, or on the basis of disability or other unlawful forms of discrimination in the solicitation, selection, hiring or commercial treatment of subcontractors, vendors, suppliers, or commercial customers, nor shall Vendor retaliate against any person for reporting instances of such discrimination. Vendor shall provide equal opportunity for subcontractors, vendors and suppliers to participate in all of its public sector and private sector subcontracting and supply opportunities, provided that nothing contained in this clause shall prohibit or limit otherwise lawful efforts to remedy the effects of marketplace discrimination that have occurred or are occurring in the City's Relevant Marketplace. Vendor understands and agrees that a material violation of this clause shall be considered a material breach of this agreement and may result in termination of this agreement, disqualification of Vendor from participating in City contracts, or other sanctions. This clause is not enforceable by or for the benefit of, and creates no obligation to, any third party. Vendor shall include this nondiscrimination clause in all subcontracts for the performance of this contract. **As a party to this contract, Vendor understands and agrees to comply with the *Non-Discrimination Policy* of the City of San Antonio contained in Chapter 2, Article X of the City Code and further, shall not discriminate on the basis of race, color,**

religion, national origin, sex, sexual orientation, gender identity, veteran status, age or disability, unless exempted by state or federal law, or as otherwise established herein.

Delinquent Taxes. In the event that Vendor is or subsequently becomes delinquent in the payment of taxes owed to the City of San Antonio, the City reserves the right to deduct any delinquent taxes from payments that the City may owe to the delinquent Vendor as a result of this contract.

Binding Contract. This contract shall be binding on and inure to the benefit of the parties hereto and their respective heirs, executors, administrators, legal representatives, and successors and assigns, except as otherwise expressly provided for herein.

Entire Agreement. This contract, including City's final electronically posted online version, together with its authorizing ordinance and its price schedule(s), attachments, purchase orders, and exhibits, if any, constitutes the final and entire agreement between the parties hereto and contains all of the terms and conditions agreed upon. No other agreements, oral or otherwise, regarding the subject matter of this contract shall be deemed to exist or to bind the parties hereto, unless same be in writing, dated subsequent to the date hereof, and be duly executed by the parties, in accordance with the Change Order provision herein. **Parties agree that City's final electronically posted online version of this solicitation contains the agreed upon specifications, scope of services, and terms and conditions of this contract, and shall control in the event of a conflict with any printed version signed and submitted by Vendor.**

007 - SIGNATURE PAGE

By submitting a bid, whether electronically or by paper, Bidder represents that:

(s)he is authorized to bind Bidder to fully comply with the terms and conditions of City's Invitation for Bid for the prices stated therein;

(s)he has read the entire document, including the final version issued by City, and agreed to the terms therein;

Bidder is in good standing with the Texas State Comptroller's Office; and

to the best of his/her knowledge, all information is true and correct.

If submitting your bid by paper, complete the following and sign on the signature line below. Failure to sign and submit this Signature Page will result in rejection of your bid.

Bidder Information:

Please Print or Type:

Texas GDN# P8363, P101544X

License Type: Motor Vehicle Dealer

Franchise # F1374

Vendor ID No.: V1006439

Signer's Name: Keith Shoffstall

Name of Business: Grande Truck Center

Street Address: 4562 IH-10 East

City, State, Zip Code: San Antonio, TX 78219

Email Address: rshoffstall@grandetruck.com

Telephone No.: 210-666-7112

Fax No.: 210-666-7216

City's Solicitation No.: 6100006820

Keith Shoffstall  
Signature of Person Authorized to Sign Bid

## 008 - STANDARD DEFINITIONS

Whenever a term defined by the Uniform Commercial Code ("UCC"), as enacted by the State of Texas, is used in the Contract, the UCC definition shall control, unless otherwise defined in the Contract.

All-or-None Bid - an invitation to bid in which the City will award the entire contract to one bidder only.

Alternate Bid - two or more bids with substantive variations in the item or service offered from the same bidder in response to a solicitation.

Assignment - a transfer of claims, rights or interests in goods, services or property.

Bid - a complete, signed response to a solicitation. The term "bid" is synonymous with the term "offer".

Bid Opening - a public meeting during which bid responses are disclosed.

Bidder - a person, firm or entity that submits a bid in response to a solicitation. The bidder whose bid is accepted by City may also be referred to herein as Contractor, Vendor or Supplier.

Bid Bond or Bid Guarantee - security to ensure that Bidder (a) will not withdraw the bid within the period specified for acceptance, and (b) will furnish any required bonds or performance guarantees, and any necessary insurance within the time specified in the solicitation.

Change Order - a change to the plans or specifications of the contract, or an increase or decrease in the quantity of work to be performed or of materials, equipment, or supplies to be furnished, issued by the Director after the bid has been accepted by the City.

City - the City of San Antonio, a Texas home-rule municipal corporation.

Contract - the binding legal agreement between the City and Vendor.

Contractor - the bidder whose bid is accepted by the City and is, therefore, the person, firm or entity providing goods or services to the City under a contract.

Director - the Director of City's Purchasing & General Services Department, or Director's designee.

Equal or Equivalent - terms to indicate that similar products or other brands may be acceptable for purchase if specifications and functional requirements are met.

Invitation for Bid (IFB) - a solicitation requesting pricing for a specified good or a service.

Line Item - a listing of items in a bid for which a bidder is expected to provide separate pricing.

Low Bid - a bid which is lowest in price, but may not meet all requirements or specifications.

Lowest Responsible Bidder - the bidder whose bid meets all requirements of the specifications, terms and conditions of the IFB and results in the lowest cost to the City in an award based solely on price, taking into consideration the bidder's competence and qualifications to perform the contract.

Non-Responsive Bid - a bid or offer that does not comply with the terms and conditions, or specifications and/or requirements of the IFB.

Offer - a complete, signed response to an IFB that, if accepted, would bind the bidder to perform the resultant contract. The term "offer" is synonymous with the term "bid".

Payment Bond - a particular form of security provided by the contractor to protect the City against loss due to the contractor's failure to pay suppliers and subcontractors.

Performance Bond - a particular form of security provided by the contractor to protect the City against loss due to the contractor's inability or unwillingness to complete the contract as agreed.

Performance Deposit - security provided by the contractor to protect the City against loss due to the contractor's inability or unwillingness to complete the contract as agreed.

Pre-Submittal Conference - a meeting conducted by the City, held in order to allow bidders to ask questions about the proposed contract and particularly, the contract specifications.

Purchase Order - a validly issued order placed by an authorized City department for the purchase of goods or services, written on the City's standard purchase order form, and which is Vendor's authority to deliver to and invoice the City for the goods or services specified in an IFB for the price stated in Vendor's bid.

Responsible Bidder - a bidder who is known to have the necessary competence and qualifications to perform and provide all requirements of an intended contract.

Responsive Bidder - a bidder who tenders a bid which meets all requirements of the invitation to bid and is a responsible bidder.

Sealed Bid - a bid submitted as a sealed document, whether hard copy or electronic, by a prescribed time to the location indicated in the IFB. The contents of the bid will not be made public prior to the bid opening.

Specifications - a description of what the City requires and what the bidder must offer; a description of the physical or functional characteristics of a product or material, or the nature of a service or construction item.

Subcontractor - a person, firm or entity providing goods or services to a vendor to be used in the performance of the Vendor's obligations under the contract with the City.

Supplier - the bidder whose bid is accepted by the City and is, therefore, the person, firm or entity providing goods or services to the City under a contract.

Vendor - the bidder whose bid is accepted by the City and is, therefore, the person, firm or entity providing goods or services to the City under a contract.

Waiver of Irregularity - noting, but disregarding an immaterial variance within a bid.

009 - ATTACHMENTS

Attachment A  
11/19/2015

PRICE SCHEDULE

Local Preference Program (LPP) Ordinance

The 82nd Texas Legislature adopted a revision to the law that allowed the City of San Antonio (City) to adopt a policy that would grant contracting preferences to local businesses for certain types of contracts. The City adopted such a policy, known as the Local Preference Program, described in the San Antonio City Code Chapter 2, Article XII, effective for solicitations issued after May 1, 2013.

This solicitation is subject to the Local Preference Program. For more information on the program, refer to the Local Preference Program Identification Form attached to this solicitation.

In order to receive consideration the Local Bidder must complete and return the attached Local Preference Identification Form.

PRICE SCHEDULE

ITEM	QUANTITY	DESCRIPTION
1	5	19,501-26,000 GVWR General Purpose Flatbed

DELETED

ITEM	QUANTITY	DESCRIPTION
2	1	19,501 - 26,000 GVWR 15' Brush Dump Body and Tarp

PRICE EACH: \$ 75,971.<sup>00</sup>

TOTAL: \$ 75,971.<sup>00</sup>

YEAR, MAKE & MODEL CAB & CHASSIS OFFERED:

2016 Ford F750

SPECIFIC MAKE & MODEL OF ENGINE OFFERED (INCLUDE SAE NET HP):

270 H.P. Ford 6.7L Diesel 675 LB FT Torque

TRANSMISSION OFFERED:

Ford TorqueShift 6 speed Automatic w PTO Division

CAB & CHASSIS WARRANTY:

24 months



CAB & CHASSIS WARRANTY SERVICE PROVIDER NAME:

Grande Truck Center

CAB & CHASSIS WARRANTY SERVICE PROVIDER FACILITY ADDRESS:

4562 IH 10 East

San Antonio, Texas 78219

YEAR, MAKE & MODEL DUMP BED OFFERED:

2016 H150-P33 15' Davis Brush Dump

DUMP BED WARRANTY:

12 months

DUMP BED WARRANTY SERVICE PROVIDER NAME:

Reliance Truck + Equip

DUMP BED WARRANTY SERVICE PROVIDER ADDRESS:

7200 S. WW White Road

San Antonio TX 78222

DELIVERY WILL BE MADE WITHIN 150-180 CALENDER DAYS AFTER ISSUANCE OF PURCHASE ORDER.

PRODUCTION CUT-OFF DATE: March 31, 2014

INDICATE THE LAST DAY THAT THE CITY CAN PLACE ORDERS UNDER THIS CONTRACT WITHOUT MISSING THE PRODUCTION CUT OFF DATE: March 31 2014

BID PRICES SHALL REMAIN FIRM FOR ALL ORDERS PLACED PRIOR TO THIS CUT OFF DATE. IN THE EVENT THAT CITY DOES NOT AWARD A CONTRACT PRIOR TO PRODUCTION CUT OFF DATE, CAN BIDDER PROVIDE BID ITEMS, AT THE BID PRICE SUBMITTED, AFTER THE PRODUCTION CUT OFF DATE? NO

ITEM	QUANTITY	DESCRIPTION
3	3	35,000 Minimum GVWR 7 Cubic Yard Dump Truck
PRICE EACH:	\$	<u>79,634.<sup>00</sup></u>
TOTAL:	\$	<u>238,902.<sup>00</sup></u>

YEAR, MAKE & MODEL CAB & CHASSIS OFFERED:

2016 Ford F750 ~~270HP~~

SPECIFIC MAKE & MODEL OF ENGINE OFFERED (INCLUDE SAE NET HP):

Ford 6.7L 280 H.P. Diesel 675 15 Ft Torque

TRANSMISSION OFFERED:

Ford Torque Shift 6 speed with PTO Provision

CAB & CHASSIS WARRANTY:

24 months

CAB & CHASSIS WARRANTY SERVICE PROVIDER NAME:

Grande Truck Center

CAB & CHASSIS WARRANTY SERVICE PROVIDER FACILITY ADDRESS:

4582 IH-10 East

SAN Antonio, TX 78219

DUMP BODY WARRANTY:

2014 Davis TA-7-10

DUMP BODY WARRANTY SERVICE PROVIDER FACILITY NAME:

Reliance Truck and Equipment

DUMP BED WARRANTY SERVICE PROVIDER ADDRESS:

7200 S. W.W. White Road

SAN Antonio, TX 78222

DELIVERY WILL BE MADE WITHIN 150-180 CALENDER DAYS AFTER ISSUANCE OF PURCHASE ORDER.

PRODUCTION CUT-OFF DATE: MARCH 31, 2014

INDICATE THE LAST DAY THAT THE CITY CAN PLACE ORDERS UNDER THIS CONTRACT WITHOUT MISSING THE PRODUCTION CUT OFF DATE: MARCH 21, 2014

BID PRICES SHALL REMAIN FIRM FOR ALL ORDERS PLACED PRIOR TO THIS CUT OFF DATE. IN THE EVENT THAT CITY DOES NOT AWARD A CONTRACT PRIOR TO PRODUCTION CUT OFF DATE, CAN BIDDER PROVIDE BID ITEMS, AT THE BID PRICE SUBMITTED, AFTER THE PRODUCTION CUT OFF DATE? NO

ITEM	QUANTITY	DESCRIPTION
4	2	19,500 - 26,000 GVWR 9 Cubic Yard Sanitation

PRICE EACH: \$ NO BID

TOTAL: \$ \_\_\_\_\_

YEAR, MAKE & MODEL CAB & CHASSIS OFFERED:

\_\_\_\_\_

SPECIFIC MAKE & MODEL OF ENGINE OFFERED (INCLUDE SAE NET HP):

\_\_\_\_\_

TRANSMISSION OFFERED:

\_\_\_\_\_

CAB & CHASSIS WARRANTY:

\_\_\_\_\_

CAB & CHASSIS WARRANTY SERVICE PROVIDER NAME:

\_\_\_\_\_

\_\_\_\_\_

CAB & CHASSIS WARRANTY SERVICE PROVIDER FACILITY ADDRESS:

\_\_\_\_\_

\_\_\_\_\_

YEAR, MAKE & MODEL CONCRETE DRUM MIXER OFFERED:

\_\_\_\_\_

REFUSE DUMP BODY WARRANTY:

\_\_\_\_\_

REFUSE DUMP BODY WARRANTY SERVICE PROVIDER NAME:

\_\_\_\_\_

\_\_\_\_\_

REFUSE DUMP BODY WARRANTY SERVICE PROVIDER FACILITY ADDRESS:

\_\_\_\_\_

\_\_\_\_\_

DELIVERY WILL BE MADE WITHIN \_\_\_\_\_ CALENDER DAYS AFTER ISSUANCE OF PURCHASE ORDER.

PRODUCTION CUT-OFF DATE: \_\_\_\_\_

INDICATE THE LAST DAY THAT THE CITY CAN PLACE ORDERS UNDER THIS CONTRACT WITHOUT MISSING THE PRODUCTION CUT OFF DATE: \_\_\_\_\_.

BID PRICES SHALL REMAIN FIRM FOR ALL ORDERS PLACED PRIOR TO THIS CUT OFF DATE. IN THE EVENT THAT CITY DOES NOT AWARD A CONTRACT PRIOR TO PRODUCTION CUT OFF DATE, CAN BIDDER PROVIDE BID ITEMS, AT THE BID PRICE SUBMITTED, AFTER THE PRODUCTION CUT OFF DATE? \_\_\_\_\_.

ITEM	QUANTITY	DESCRIPTION
5	8	>50,000 GVWR Fifth Wheel Tractors

PRICE EACH: \$ 113,350.<sup>00</sup>

TOTAL: \$ 906,800.<sup>00</sup>

YEAR, MAKE & MODEL CAB & CHASSIS OFFERED:  
2017 Volvo VHD64FT200

SPECIFIC MAKE & MODEL OF ENGINE OFFERED (INCLUDE SAE NET HP):  
Volvo D-13 475 H.P. 1650 15 FT Torque

TRANSMISSION OFFERED:  
Eaton Fuller FRO 16210 C

CAB & CHASSIS WARRANTY:  
12 months

CAB & CHASSIS WARRANTY SERVICE PROVIDER NAME:  
Grande Truck Center

CAB & CHASSIS WARRANTY SERVICE PROVIDER FACILITY ADDRESS:  
4562 IH-10 East  
San Antonio, TX 78219

DELIVERY WILL BE MADE WITHIN 150-180 CALENDER DAYS AFTER ISSUANCE OF PURCHASE ORDER.

PRODUCTION CUT-OFF DATE: MARCH 31, 2016

INDICATE THE LAST DAY THAT THE CITY CAN PLACE ORDERS UNDER THIS CONTRACT WITHOUT MISSING THE PRODUCTION CUT OFF DATE: MARCH 31, 2016

BID PRICES SHALL REMAIN FIRM FOR ALL ORDERS PLACED PRIOR TO THIS CUT OFF DATE. IN THE EVENT THAT CITY DOES NOT AWARD A CONTRACT PRIOR TO PRODUCTION CUT OFF DATE, CAN BIDDER PROVIDE BID ITEMS, AT THE BID PRICE SUBMITTED, AFTER THE PRODUCTION CUT OFF DATE? NO

ITEM	QUANTITY	DESCRIPTION
6	1	>50,000 GVWR Dump Truck

PRICE EACH: \$ 106,955.<sup>00</sup>

TOTAL: \$ 106,955.<sup>00</sup>

YEAR, MAKE & MODEL CAB & CHASSIS OFFERED:

2016 Western Star 4700

SPECIFIC MAKE & MODEL OF ENGINE OFFERED (INCLUDE SAE NET HP):

Cummins ISL 350 HP. 1000 LB FT Torque

TRANSMISSION OFFERED:

Allison 3000 RDS with PTO provision

CAB & CHASSIS WARRANTY:

12 months

CAB & CHASSIS WARRANTY SERVICE PROVIDER NAME:

Grande Truck Center

CAB & CHASSIS WARRANTY SERVICE PROVIDER FACILITY ADDRESS:

4562 IH-10 East

SAN Antonio, TX 78219

YEAR, MAKE & MODEL DUMP BODY OFFERED:

2016 Davis FMT 11-14

DUMP BODY WARRANTY:

12 months

DUMP BODY WARRANTY SERVICE PROVIDER NAME:

Reliance Truck and Equipment

DUMP BODY WARRANTY SERVICE PROVIDER FACILITY ADDRESS:

7200 S. WW White Road

SAN Antonio, TX 78219

DELIVERY WILL BE MADE WITHIN 150-180 CALENDER DAYS AFTER ISSUANCE OF PURCHASE ORDER.

PRODUCTION CUT-OFF DATE: MARCH 31, 2016

INDICATE THE LAST DAY THAT THE CITY CAN PLACE ORDERS UNDER THIS CONTRACT WITHOUT MISSING THE PRODUCTION CUT OFF DATE: MARCH 31, 2016

BID PRICES SHALL REMAIN FIRM FOR ALL ORDERS PLACED PRIOR TO THIS CUT OFF DATE. IN THE EVENT THAT CITY DOES NOT AWARD A CONTRACT PRIOR TO PRODUCTION CUT OFF DATE, CAN BIDDER PROVIDE BID ITEMS, AT THE BID PRICE SUBMITTED, AFTER THE PRODUCTION CUT OFF DATE? NO

ITEM	QUANTITY	DESCRIPTION
------	----------	-------------

7

2

>33,000 GVW Utility Bed/Lube Body Trucks

PRICE EACH: \$ 176,969.<sup>00</sup>

TOTAL: \$ 353,938.<sup>00</sup>

YEAR, MAKE & MODEL CAB & CHASSIS OFFERED:

2017 Western Star 4700

SPECIFIC MAKE & MODEL OF ENGINE OFFERED (INCLUDE SAE NET HP):

Cummins ISL 330 H-P. 1000 12 FT Torque

TRANSMISSION OFFERED:

Allison 3500 RDS with PTO Provision

CAB & CHASSIS WARRANTY:

12 months

CAB & CHASSIS WARRANTY SERVICE PROVIDER NAME:

Grande Truck Center

CAB & CHASSIS WARRANTY SERVICE PROVIDER FACILITY ADDRESS:

4562 IH-10 East

SAN Antonio, TX 78219

YEAR, MAKE & MODEL BED/LUBRICATION BODY OFFERED:

2016 CTE Single Axle Hydraulic Operated Lube Bed

BED/LUBRICATION BODY WARRANTY:

12 months

BED/LUBRICATION BODY WARRANTY SERVICE PROVIDER NAME:

Reliance Truck and Equipment

BED/LUBRICATION BODY WARRANTY SERVICE PROVIDER FACILITY ADDRESS:

7200 S. WW White Road

SAN Antonio, TX 78222

DELIVERY WILL BE MADE WITHIN 150-210 CALENDER DAYS AFTER ISSUANCE OF PURCHASE ORDER.

PRODUCTION CUT-OFF DATE: MARCH 31, 2016

INDICATE THE LAST DAY THAT THE CITY CAN PLACE ORDERS UNDER THIS CONTRACT WITHOUT MISSING THE PRODUCTION CUT OFF DATE: March 31, 2016

BID PRICES SHALL REMAIN FIRM FOR ALL ORDERS PLACED PRIOR TO THIS CUT OFF DATE. IN THE EVENT THAT CITY DOES NOT AWARD A CONTRACT PRIOR TO PRODUCTION CUT OFF DATE, CAN BIDDER PROVIDE BID ITEMS, AT THE BID PRICE SUBMITTED, AFTER THE PRODUCTION CUT OFF DATE? NO

ITEM	QUANTITY	DESCRIPTION
8	1	>33,000 GVWR Grappler Truck (Turnkey Unit)
PRICE EACH:	\$ <u>179,850.</u> <sup>00</sup>	<i>EXCEPTION NOTE: see Attached specifications MAX 125 FT cable NO Adjustable Brake on this small wheel</i>
TOTAL:	\$ <u>179,850.</u> <sup>00</sup>	

YEAR, MAKE & MODEL CAB & CHASSIS OFFERED:  
2017 Western Star 4700

SPECIFIC MAKE & MODEL OF ENGINE OFFERED (INCLUDE SAE NET HP):  
Cummins ISL 330 HP. 1000 15 FT Torque

TRANSMISSION OFFERED:  
Allison 3000 RDS with PTO Prowler

CAB & CHASSIS WARRANTY:  
12 months

CAB & CHASSIS WARRANTY SERVICE PROVIDER NAME:  
Grande Truck Center

CAB & CHASSIS WARRANTY SERVICE PROVIDER FACILITY ADDRESS:  
4562 IH-10 East  
SAN Antonio, TX 78219

YEAR, MAKE & MODEL GRAPPLER/HYDRAULIC LOADER BODY OFFERED:  
2014 Rotobec Elite 910 w/GH Body/Timber bucket

GRAPPLER/HYDRAULIC LOADER BODY WARRANTY:  
12 months or 2000 hours *Rotobec model 045W*

GRAPPLER/HYDRAULIC LOADER BODY SERVICE PROVIDER NAME:  
Reliance Truck & Equipment

GRAPPLER/HYDRAULIC LOADER BODY SERVICE PROVIDER FACILITY ADDRESS:

7200 S W W White Road  
SAN Antonio, TX 78229

DELIVERY WILL BE MADE WITHIN 40-250 CALENDER DAYS AFTER ISSUANCE OF PURCHASE ORDER.

PRODUCTION CUT-OFF DATE: MARCH 31, 2016

INDICATE THE LAST DAY THAT THE CITY CAN PLACE ORDERS UNDER THIS CONTRACT WITHOUT MISSING THE PRODUCTION CUT OFF DATE: MARCH 31, 2016

BID PRICES SHALL REMAIN FIRM FOR ALL ORDERS PLACED PRIOR TO THIS CUT OFF DATE. IN THE EVENT THAT CITY DOES NOT AWARD A CONTRACT PRIOR TO PRODUCTION CUT OFF DATE, CAN BIDDER PROVIDE BID ITEMS, AT THE BID PRICE SUBMITTED, AFTER THE PRODUCTION CUT OFF DATE? NO

ITEM	QUANTITY	DESCRIPTION
9	1	26,000 Minimum GVWR 5 Cubic Yard Dump Truck

PRICE EACH: \$ 74,307.<sup>00</sup>

TOTAL: \$ 74,307.<sup>00</sup>

YEAR, MAKE & MODEL CAB & CHASSIS OFFERED:

2016 Ford F750

SPECIFIC MAKE & MODEL OF ENGINE OFFERED (INCLUDE SAE NET HP):

Ford 6.7L Diesel 270 H.P. 675 LB FT Torque

TRANSMISSION OFFERED:

Ford Turbo shift 6 speed with PTO Provision

CAB & CHASSIS WARRANTY:

24 months

CAB & CHASSIS WARRANTY SERVICE PROVIDER NAME:

Grande Truck Center

CAB & CHASSIS WARRANTY SERVICE PROVIDER FACILITY ADDRESS:

4562 IH-10 East  
SAN Antonio, TEXAS 78219

YEAR, MAKE & MODEL DUMP BODY OFFERED:

2014 Davis TA-5-10



DUMP BODY WARRANTY:

12 months

DUMP BODY WARRANTY SERVICE PROVIDER NAME:

Reliance Truck and Equipment

DUMP BODY WARRANTY SERVICE PROVIDER FACILITY ADDRESS:

7200 S. New White Road  
SAN ANTONIO, TX 78222

DELIVERY: DELIVERY WILL BE MADE WITHIN 150-180 CALENDAR DAYS AFTER ISSUANCE OF PURCHASE ORDER.

PRODUCTION CUT-OFF DATE: March 31, 2016

INDICATE THE LAST DAY THAT THE CITY CAN PLACE ORDERS UNDER THIS CONTRACT WITHOUT MISSING THE PRODUCTION CUT OFF DATE: MARCH 31, 2016

BID PRICES SHALL REMAIN FIRM FOR ALL ORDERS PLACED PRIOR TO THIS CUT OFF DATE. IN THE EVENT THAT CITY DOES NOT AWARD A CONTRACT PRIOR TO PRODUCTION CUT OFF DATE, CAN BIDDER PROVIDE BID ITEMS, AT THE BID PRICE SUBMITTED, AFTER THE PRODUCTION CUT OFF DATE? NO

DELIVERY: DELIVERY WILL BE MADE WITHIN 150-180 CALENDAR DAYS AFTER ISSUANCE OF PURCHASE ORDER.

ITEM	QUANTITY	DESCRIPTION
10	2	60K Fifth Wheel Tractor Truck
PRICE EACH: \$		<u>149,200.<sup>00</sup></u>
TOTAL: \$		<u>298,400.<sup>00</sup></u>

NOTE: EXCEPTION TO FIRM 2,820,000 RBM

YEAR, MAKE & MODEL CAB & CHASSIS OFFERED:

2017 Volvo NMX 84T300

SPECIFIC MAKE & MODEL OF ENGINE OFFERED (INCLUDE SAE NET HP):

Volvo D16-500 H.P. 1850 16 FT Torque

TRANSMISSION OFFERED:

Eaton Fuller RTLO 18918 B 18 speed

CAB & CHASSIS WARRANTY:

12 month

CAB & CHASSIS WARRANTY SERVICE PROVIDER NAME:

Grande Truck Center

CAB & CHASSIS WARRANTY SERVICE PROVIDER FACILITY ADDRESS:

4562 IH-10 East  
SAN Antonio, TX 78219

DELIVERY: DELIVERY WILL BE MADE WITHIN 150-180 CALENDAR DAYS AFTER ISSUANCE OF PURCHASE ORDER.

PRODUCTION CUT-OFF DATE: MARCH 31, 2016

INDICATE THE LAST DAY THAT THE CITY CAN PLACE ORDERS UNDER THIS CONTRACT WITHOUT MISSING THE PRODUCTION CUT OFF DATE: MARCH 31, 2016

BID PRICES SHALL REMAIN FIRM FOR ALL ORDERS PLACED PRIOR TO THIS CUT OFF DATE. IN THE EVENT THAT CITY DOES NOT AWARD A CONTRACT PRIOR TO PRODUCTION CUT OFF DATE, CAN BIDDER PROVIDE BID ITEMS, AT THE BID PRICE SUBMITTED, AFTER THE PRODUCTION CUT OFF DATE? NO

DELIVERY: DELIVERY WILL BE MADE WITHIN 150-180 CALENDAR DAYS AFTER ISSUANCE OF PURCHASE ORDER.

Prompt Payment Discount: net % 30 days. (If no discount is offered, Net 30 will apply.)

THANK YOU, LD McGarity



Grande Truck Center  
4562 IH 10 East, San Antonio, Texas, 78219  
Office: 210-661-4121 Fax: 210-666-7211

1 EA  
COSA #2  
TRASH Dump

ADD  
Loose Wheel  
Quick Disconnect  
Auto Drain  
Dot Fire  
DOT Triangle

## Customer Proposal

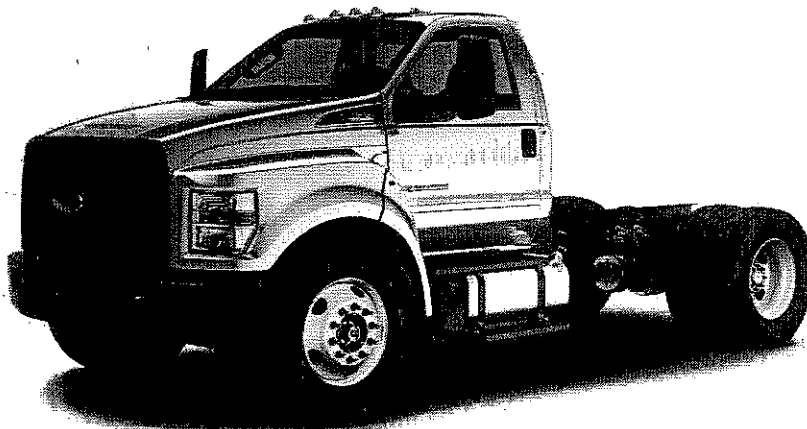
---

Prepared by:

ROCKY SHOFFSTALL  
Office: 210-661-4121  
Email: rshoffstall@grandetruck.com

Date: 12/03/2015

Vehicle: 2016 F-750 Diesel Base  
Regular Cab





---

*Re: Vehicle Proposal*

---

Thank you very much for your interest in acquiring a vehicle from our dealership. We concur that your interest is well deserved. We hope that an outstanding product lineup and our dedication to customer service will enhance your ownership experience should you decide to buy a vehicle from us.

Attached, please find additional information that I hope will assist you in making a more informed decision. Please feel free to contact me at any time as I would truly appreciate the opportunity to be of service to you.

Sincerely,

**ROCKY SHOFFSTALL**

rshoffstall@grandetruck.com



## Selected Options

Code	Description
<b>Base Vehicle</b>	
F7D	Base Vehicle Price (F7D)
<b>Engines</b>	
99C	<p>✓ 6.7L Power Stroke V8 Turbo Diesel - 270 HP @ 2400 RPM, 675 lb-ft Torque @ 1600 RPM ✓</p> <p>Includes Engine Exhaust Brake and manual regen capability. Torque: 675 ft.lbs. @ 1600 rpm.</p> <p><i>Governed RPM: 3200. Includes CARB clean idle label - may be removed if un-necessary.</i></p>
916	✓ Speed Limit - 65mph
94B	Engine Idle Shutdown Timer - 10 Minutes
<b>Transmissions</b>	
44G	✓ Ford TorqShift HD 6-Speed Automatic - Double Overdrive, less PTO Provision <i>(RNDM).</i>
41A	✓ Transmission Power Take-Off Provision w/LiveDrive Capability
<b>Front Wheels &amp; Tires</b>	
643	<p>✓ Wheels, Front 22.5x8.25 White Powder Coated Steel, 10-Hole</p> <p><i>(285.75MM BC) hub piloted, flanged nut, metric mount, 8.25 DC rims; with steel hubs.</i></p>
TCT	✓ Tires, Front Two 11R22.5G Goodyear G661 HSA (496 rev/mile)
<b>Rear Wheels &amp; Tires</b>	
663	<p>✓ Wheels, Rear 22.5x8.25 White Powder Coated Steel, 10-Hole</p> <p><i>(285.75MM BC) hub piloted, flanged nut, metric mount, 8.25 DC rims; with steel hubs.</i></p>
RCA	✓ Tires, Rear Four 11R22.5G Goodyear G182 RSD (496 rev/mile)
<b>Brakes</b>	
67C	<p>✓ Air Brakes - Straight Truck</p> <p><i>Meritor Q-Plus with ABS, Bendix Anti-Lock Brake System, 4-channel. Includes 15" x 4" front brakes, dual direct reading air pressure gauges, brake lines color coded nylon, Bendix 13.2 CFM capacity air compressor, instrument panel mounted yellow knob parking brake control valve, automatic slack adjusters front and rear, two rear spring parking air brake chambers mounted on front of rear axle, three drain valves and two air tanks (Reference Body Builders Book for location). Rear brake size and components dependent upon axle selection.</i></p>
62D	<p>✓ Air Dryer, Bendix AD/IP w/Heater</p> <p><i>Mounted left frame rail.</i></p>
<b>Front Axle and Suspension</b>	
43N	✓ 10,000 lb. Cap. Non-Driving - Dana E-1002I

Prices and content availability as shown are subject to change and should be treated as estimates only. Actual base vehicle, package and option pricing may vary from this estimate because of special local pricing, availability or pricing adjustments not reflected in the dealer's computer system. See salesperson for the most current information.



## Selected Options (cont'd)

Code	Description
61C	✓ Taper-Leaf Springs, Parabolic - 10,000 lb. Cap 2-leaf, 62" x 3.15".
<b>Rear Axle and Suspension</b>	
475	✓ 21,000 lb. Single Reduction - Open <i>NOTE: When specifying an axle ratio, check performance guidelines for startability and gradeability.</i>
68P	✓ Multi-Leaf Springs - 21,000 lb. Cap 11-leaf. Includes 2,000 lb auxiliary springs for load stabilization.
X6D	6.50 Axle Ratio
<b>Wheelbase</b>	
218WB	218" Wheelbase/144" CA/81" AF/338" OAL
<b>Frame</b>	
535	✓ Single Channel - Straight 'C' 15.14 SM, 80,000 PSI 1,211,200 RBM. High strength low alloy steel. 10.250" x 3.092" x 0.375" (260.4mm x 78.5mm x 9.5mm). Includes: - GVWR Limit: 37,000 lbs.
18D	✓ Special Rating GVWR - Limited to 25,999 lb. GVWR
<b>Exhaust</b>	
91D	✓ Under Cab, Vertical Outlet, Right Side, Switchback-Style <b>WARNING!</b> The selection of this Exhaust could reduce the available CA dimension. <i>Single, horizontal muffler, right side under cab outside of frame rail with vertical exhaust passenger side rear corner with heatshield and turnout exit.</i>
<b>Fuel Tanks</b>	
65B	✓ Fuel Tank - LH 50 Gallon Rectangular - Aluminum
10	10 Gal. Single Tank Fuel Fill. Mandatory Charge Applied, Based On Tank Selection
<b>Electrical / Alternator / Battery</b>	
17A	200 Amp Denso SC5 Heavy Duty Alternator <i>Extra heavy duty 12 Volt.</i>
55M	Jump Start Stud - Remote Mounted
63A	Battery - Two 750 CCA, 1500 Total, Includes Steel Battery Box <i>12Volt, Motorcraft.</i>
17M	✓ Back-Up Alarm - Electric, 102 dBA
962	Daytime Running Lamps
16V	Voltmeter <i>Available in message center.</i>
<b>Seats</b>	
88G	✓ 30/70 Air Ride Driver (External Air Source) & Fixed 2-Passenger Bench - Vinyl

Prices and content availability as shown are subject to change and should be treated as estimates only. Actual base vehicle, package and option pricing may vary from this estimate because of special local pricing, availability or pricing adjustments not reflected in the dealer's computer system. See salesperson for the most current information.



## Selected Options (cont'd)

Code	Description
<b>Cab Interior</b>	
600A	Preferred Equipment Package 600A
90P	Power Equipment Group <i>Includes power front side windows, power door locks and door trim panel.</i>
588	Radio AM/FM Stereo w/Aux Audio Input Jack & Clock ✓ <i>With two speakers.</i>
<b>Cab Exterior</b>	
59A	✓ Horn, Air - Black, Single Trumpet <i>Air solenoid operated, chassis mounted on rail back of bumper.</i>
54R	✓ Mirrors, Dual - Heated & Motorized Rectangular, XL2020 - 102" Width <i>Integral spot mirror, sail type, solid black finish.</i>
<b>Miscellaneous</b>	
PAINT	Paint Type - Environmentally Friendly, "3 - Wet System"
<b>Interior Colors</b>	
E	Gray
<b>Primary Colors</b>	
YZ	Oxford White

Prices and content availability as shown are subject to change and should be treated as estimates only. Actual base vehicle, package and option pricing may vary from this estimate because of special local pricing, availability or pricing adjustments not reflected in the dealer's computer system. See salesperson for the most current information.



## Selected Equipment & Specs

### Dimensions

- \* Exterior length: 338.0"
- \* Exterior height: 94.3"
- \* Front track: 83.5"
- \* Front legroom: 41.4"
- \* Front hiproom: 67.6"
- \* Exterior width: 96.7"
- \* Wheelbase: 218.0"
- \* Rear track: 72.7"
- \* Front headroom: 40.7"
- \* Front shoulder room: 68.0"

### Powertrain

- \* 270hp 6.7L OHV 32 valve intercooled turbo V-8 engine with direct diesel injection
- \* federal
- \* Rear-wheel drive
- \* Fuel Economy Highway: N/A
- \* Fuel/water separator
- \* Standard rear differential
- \* Right mounted vertical tailpipe
- \* Recommended fuel : diesel
- \* 6 speed automatic transmission with overdrive
- \* Fuel Economy Cty: N/A
- \* 50.0 gal. rectangular Left front fuel tank
- \* Transmission PTO provision
- \* Right mounted horizontal muffler

### Suspension/Handling

- \* Front non-independent leaf spring suspension
- \* Hydraulic power-assist re-circulating ball Steering
- \* 11.0R22.5 AS front and rear tires
- \* Rubber auxiliary rear springs
- \* Rear rigid axle leaf spring suspension
- \* Front and rear 22.5 x 8.25 wheels
- \* Dual rear wheels

### Body Exterior

- \* 2 doors
- \* Black door mirrors
- \* Side steps
- \* Straight front bumper ends
- \* Front and rear 22.5 x 8.25 white steel wheels with 10 wheel studs
- \* Driver and passenger power remote heated folding door mirrors
- \* Black bumpers
- \* Clearcoat paint
- \* Hood mounted grille

### Convenience

- \* Manual air conditioning ✓
- \* Power front windows
- \* Manual tilt steering wheel
- \* Passenger visor mirror
- \* Automatic gearshift steering column lever
- \* Cruise control with steering wheel controls
- \* Power door locks
- \* Front cupholders
- \* Single air horn
- \* Driver and passenger door bins

### Seats and Trim

- \* Seating capacity of 3
- \* Fixed passenger seat
- \* Driver seat folding back
- \* Driver seat air suspension
- \* Manual fore/aft seats
- \* Fixed driver seat
- \* Bucket driver seat, two person bench passenger seat
- \* Low back seats
- \* Driver seat with 4 way direction control, passenger seat with 2 way direction control

### Entertainment Features

- \* AM/FM stereo radio
- \* 4 speakers
- \* Auxiliary audio input
- \* Fixed antenna

### Lighting, Visibility and Instrumentation

- \* Halogen aero-composite headlights
- \* Variable intermittent front windshield wipers

Prices and content availability as shown are subject to change and should be treated as estimates only. Actual base vehicle, package and option pricing may vary from this estimate because of special local pricing, availability or pricing adjustments not reflected in the dealer's computer system. See salesperson for the most current information.





## Selected Equipment & Specs (cont'd)

- \* Light tinted windows
- \* Tachometer
- \* Oil pressure gauge
- \* Trip odometer
- \* Front reading lights
- \* Voltmeter
- \* Trip computer

### Safety and Security

- \* 4-wheel ABS brakes
- \* Power door locks
- \* Air brakes

### Dimensions

#### General Weights

Curb	11467 lbs.	Front curb weight	7223 lbs.
Rear curb weight	4235 lbs.	Front axle capacity	10000 lbs.
Rear axle capacity	21000 lbs.	Front spring rating	10000 lbs.
Rear spring rating	21000 lbs.	Front tire/wheel capacity	12350 lbs.
Rear tire/wheel capacity	23360 lbs.	Front GAWR	10000 lbs.
Rear GAWR	21000 lbs.	GVWR	25999 lbs.
GCWR	50000 lbs.		

#### Fuel Tank type

Capacity 50 gal.

#### Front Frame

Height loaded 35 "      Height unloaded 37 "

#### Rear Frame

Height loaded 36 "      Height unloaded 38 "

#### Selected Options that limit GVWR

Special Rating GVWR - Limited to 25,999 lb.  
GVWR 18D

### Powertrain

#### Engine Type

Block material	Iron	Cylinders	V-8
Head material	Aluminum	Ignition	Compression
Injection	Direct diesel injection	Liters	6.7L
Orientation	Longitudinal	Recommended fuel	Diesel
Valves per cylinder	4	Valvetrain	OHV
Forced induction	Intercooled turbo		

#### Engine Spec

Bore	3.90"	Compression ratio	16.2:1
Displacement	406 cu.in.	Stroke	4.25"

#### Engine Power

Output	270 HP @ 2,400 RPM	Torque	675 ft.-lb @ 1,600 RPM
Governed RPM	3200		

#### Alternator

Type	HD	Amps	200
------	----	------	-----

#### Battery

Cold cranking amps	1500	Location	Forward right
Step	Yes	Type	Dual

#### Transmission

Prices and content availability as shown are subject to change and should be treated as estimates only. Actual base vehicle, package and option pricing may vary from this estimate because of special local pricing, availability or pricing adjustments not reflected in the dealer's computer system. See salesperson for the most current information.



## Selected Equipment & Specs (cont'd)

Electronic control	Yes	Lock-up	Yes
Overdrive	Yes	Speed	6
Type	Automatic		
<i>Transmission Gear Ratios</i>			
1st	3.974	2nd	2.318
3rd	1.516	4th	1.149
5th	0.858	6th	0.674
Reverse Gear ratios	3.128		
<i>Transmission Torque Converter</i>			
Stall ratio	1.85		
<i>Transmission Extras</i>			
Driver selectable mode	Yes	Sequential shift control	Yes
Oil cooler	Regular	PTO provision	Yes
<i>Drive Type</i>			
Type	Rear-wheel		
<i>Drive Axle</i>			
Ratio	6.5		
<i>Exhaust</i>			
Material	Aluminized steel	System type	Single
<i>Emissions</i>			
CARB	Federal		
<i>Engine Retarder</i>			
Type	Yes		
<b>Driveability</b>			
<i>Brakes</i>			
ABS	4-wheel	ABS channels	4
Type	Air brakes		
<i>Suspension Control</i>			
Ride	Regular		
<i>Front Suspension</i>			
Independence	Non-independent	Type	Leaf
<i>Front Spring</i>			
Type	Tapered leaf	Grade	Regular
<input checked="" type="checkbox"/> <i>Front Shocks</i>			
Type	Regular		
<i>Rear Suspension</i>			
Independence	Rigid axle	Type	Leaf
<i>Rear Spring</i>			
Type	Multi-leaf	Grade	Regular
Auxiliary	Rubber		
<i>Steering</i>			
Activation	Hydraulic power-assist	Type	Re-circulating ball
<i>Steering Specs</i>			

Prices and content availability as shown are subject to change and should be treated as estimates only. Actual base vehicle, package and option pricing may vary from this estimate because of special local pricing, availability or pricing adjustments not reflected in the dealer's computer system. See salesperson for the most current information.



## Selected Equipment & Specs (cont'd)

# of wheels ..... 2

### Exterior

#### Front Wheels

Diameter ..... 22.5"      Width ..... 8.25"

#### Rear Wheels

Diameter ..... 22.5"      Width ..... 8.25"  
Dual ..... Yes

#### Front Tires

Aspect ..... 82      Diameter ..... 22.5"  
Sidewalls ..... BSW      Tread ..... AS  
Width ..... 11.0"      LT load rating ..... G  
RPM ..... 496

#### Rear Tires

Aspect ..... 82      Diameter ..... 22.5"  
Sidewalls ..... BSW      Tread ..... AS  
Width ..... 11.0"      LT load rating ..... G  
RPM ..... 496

#### Wheels

Front track ..... 83.5"      Rear track ..... 72.7"  
Turning radius (to curb) ..... 29'      Turning radius (to bumper) ..... 30'  
Wheelbase ..... 218.0"

#### Body Features

Front splash guards ..... Yes      Body material ..... Composite/galvanized steel  
Side steps ..... Yes

#### Body Doors

Door count ..... 2

#### Exterior Dimensions

Length ..... 338.0"	Body width ..... 96.7"
Body height ..... 94.3"	Cab to axle ..... 144.0"
Axle to end of frame ..... 81.0"	Frame section modulus ..... 15.1cu.in.
Frame yield strength (psi) ..... 80000.0	Frame rail depth ..... 10.3"
Frame rail width ..... 3.1"	Frame rail thickness ..... 0.4"
Max RBM (in.-lbs.) ..... 1275200.0	Frame rail section ..... 9.5"
Front bumper to Front axle ..... 39.0"	Nominal RBM (in.-lbs.) ..... 1211200.0

### Seating

#### Passenger Capacity

Capacity ..... 3

#### Driver Seat

Type ..... Bucket	Back ..... Folding
Back type ..... Low	Suspension ..... Air
Way direction control ..... 4	Fore/aft ..... Manual

#### Passenger Seat

Type ..... Two person bench	Back type ..... Low
Way direction control ..... 2	Fore/aft ..... Manual

#### Front Seat Trim

Prices and content availability as shown are subject to change and should be treated as estimates only. Actual base vehicle, package and option pricing may vary from this estimate because of special local pricing, availability or pricing adjustments not reflected in the dealer's computer system. See salesperson for the most current information.



## Selected Equipment & Specs (cont'd)

Material ..... Vinyl      Back material ..... Carpet

### Convenience

#### ✓ AC And Heat Type

Air conditioning ..... Manual

#### Audio System

Auxiliary audio input ..... Yes      Radio ..... AM/FM stereo  
Radio grade ..... Regular      Seek-scan ..... Yes

#### Audio Speakers

Speaker type ..... Regular      Speakers ..... 4

#### Audio Antenna

Type ..... Fixed

#### ✓ Cruise Control

Cruise control ..... With steering wheel controls

#### ✓ Convenience Features

12V DC power outlet ..... 2      Back-up alarm ..... Yes  
Horn ..... Single air

#### Door Lock Activation

Type ..... Power

#### Instrumentation Type

Display ..... Analog

#### Instrumentation Gauges

✓ Tachometer ..... Yes      ✓ Oil pressure ..... Yes  
✓ Engine temperature ..... Yes      ✓ Voltmeter ..... Yes  
✓ Transmission fluid temp ..... Yes      ✓ Engine hour meter ..... Yes  
Primary air pressure ..... Yes

#### Instrumentation Warnings

Battery ..... Yes      Lights on ..... Yes  
Key ..... Yes      Service interval ..... Yes  
Brake fluid ..... Yes      Transmission fluid temp ..... Yes

#### Instrumentation Displays

Clock ..... In-radio display

#### Instrumentation Feature

PRND in IP ..... Yes      Trip computer ..... Yes  
Trip odometer ..... Yes

#### Steering Wheel Type

Material ..... Urethane      Tilting ..... Manual

#### Front Side Windows

Window 1st row activation ..... Power

#### Window Features

Tinted ..... Light

#### Front Windshield

Wiper ..... Variable intermittent

#### Rear Windshield

Prices and content availability as shown are subject to change and should be treated as estimates only. Actual base vehicle, package and option pricing may vary from this estimate because of special local pricing, availability or pricing adjustments not reflected in the dealer's computer system. See salesperson for the most current information.



## Selected Equipment & Specs (cont'd)

Window ..... Fixed

### Automatic Gearshift

Location ..... Steering column lever

### Interior

#### Passenger Visor

Mirror ..... Yes

#### Headliner

Coverage ..... Full      Material ..... Cloth

#### Floor Trim

Coverage ..... Full      Covering ..... Vinyl/rubber

#### Trim Feature

Gear shift knob ..... Urethane

#### Lighting

Dome light type ..... Delay      Front reading ..... Yes  
 Variable IP lighting ..... Yes

#### Storage

Driver door bin ..... Yes      Front Beverage holder(s) ..... Yes  
 Glove box ..... Yes      Passenger door bin ..... Yes  
 Dashboard ..... Yes

#### Legroom

Front ..... 41.4"

#### Headroom

Front ..... 40.7"

#### Hip Room

Front ..... 67.6"

#### Shoulder Room

Front ..... 68.0"

Prices and content availability as shown are subject to change and should be treated as estimates only. Actual base vehicle, package and option pricing may vary from this estimate because of special local pricing, availability or pricing adjustments not reflected in the dealer's computer system. See salesperson for the most current information.



## Warranty - Standard Equipment & Specs

### Warranty

*Basic*

Distance . . . . . Unlimited miles      Months . . . . . 24 months

*Powertrain*

Distance . . . . . Unlimited miles      Months . . . . . 24 months

*Corrosion Perforation*

Distance . . . . . Unlimited miles      Months . . . . . 60 months

*Roadside Assistance*

Distance . . . . . Unlimited miles      Months . . . . . 24 months

*Diesel Engine*

Distance . . . . . 250000 miles      Months . . . . . 60 months

*Transmission*

Distance . . . . . 250000 miles      Months . . . . . 60 months

Prices and content availability as shown are subject to change and should be treated as estimates only. Actual base vehicle, package and option pricing may vary from this estimate because of special local pricing, availability or pricing adjustments not reflected in the dealer's computer system. See salesperson for the most current information.

# DAVIS TRAILER & TRUCK EQUIPMENT, INC.

P.O. Box 4129 • 7609 Colonel Glenn • Little Rock, Arkansas 72214-4129  
(501) 562-6295 • In Ark. 1-800-482-9484 • Out of Ark. 1-800-233-1335

December 4, 2015

Mr. Rocky Shoffstall  
Grande Truck Center  
4562 IH-10 East  
San Antonio, TX 78219  
Ph: 210-860-7537

RE: City of San Antonio IFB NO: 6100006820  
4.4 Item 2 19,501-26,000 G.V.W.R. 15' Brush Dump Body and Tarp

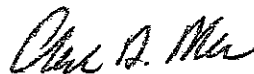
Dear Mr. Shoffstall:

Attached is our quote for furnishing and installing a 15' brush dump body and associated equipment meeting or exceeding all specifications contained in the invitation to bid. The 15' unit is designed to fit trucks with usable measurements of 120" from the back of the truck cab to the center of the rear axle. The price includes all items in the dump body specifications plus the electric back up alarm, triangle warning kit and 5#'s ABC fire extinguisher from the truck specifications. Delivery will be within 30 days of receiving an order from you or within 15 working days of receiving the truck-whichever is longer. The price is F.O.B. San Antonio, Texas, and assumes the truck is drop shipped to us. The price is firm for 180 days provided a purchase order is issued by 01/31/16.

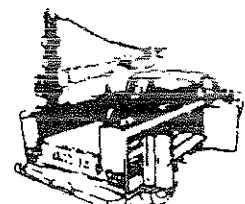
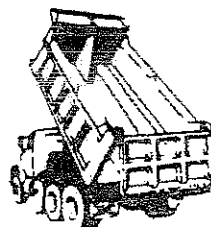
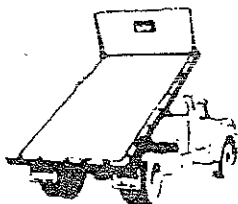
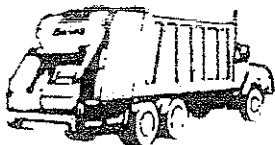
I have enclosed our brochure and the specification sheet on the Davis TA21-8(60) hoist. The brush body will be built per the customer's specifications. We are providing all equipment and accessories requested. You will not have problems based on the specifications if you provide our equipment and if the specifications are enforced, our price should be very competitive. If you have any questions, please call me at 1-800-233-1335 or 1-501-562-6295.

Thank you for the opportunity to quote. Good luck on winning the bid and securing the business.

Sincerely,



Chester D. Mercer  
President



# DAVIS TRAILER & TRUCK EQUIPMENT, INC.

P.O. Box 4129 • 7609 Colonel Glenn • Little Rock, Arkansas 72214-4129  
 (501) 562-6295 • In Ark. 1-800-482-9484 • Out of Ark. 1-800-233-1335

QUOTATION NUMBER 10587

QUOTE DATED: 12/04/15

EXPIRES ON: 01/31/16

GRANDE TRUCK CENTER  
 ATTN: MR. ROCKY SHOFFSTALL  
 4562 IH-10 EAST  
 SAN ANTONIO, TX 78219

F.O.B.: SAN ANTONIO, TX

RE: CITY OF SAN ANTONIO IFB NO: 6100006820  
 4.4 ITEM 2 19,501-26,000 G.V.W.R 15' BRUSH DUMP BODY AND TARP

PHONE: 210-666-7122    CELL: 210-860-7537    EMAIL: rshoffstall@grandetruckcenter.com    FAX: 210-666-7216

ENTERED BY	SALESPERSON	CONTACT	SHIP VIA	ESTIMATED DELIVERY	INVOICE TERMS
TM	CHET MERCER	MR. ROCKY SHOFFSTALL	CUSTOMER	30 DAYS ARO 15 DAYS ARC	CHECK AT DELIVERY

QTY	DESCRIPTION	UNIT PRICE
1	DAVIS H150-P3S	15,065.00

DAVIS H150-P3S: 15' X 8' HEAVY DUTY BRUSH DUMP BODY WITH:  
 CAB HEIGHT PLUS 4" HEADER PER SPECIFICATION  
 5' SIDES AND 5'8" DOUBLE SWING OUR REAR TAILGATE  
 3/16" SMOOTH STEEL FLOOR  
 4" CHANNEL CROSSMEMBERS ON 12" CENTERS  
 5" STRUCTURAL CHANNEL PERIMETER  
 7" STRUCTURAL CHANNEL LONG SILLS  
 INTERNAL STAKE POCKETS ON 2' CENTERS DOWN SIDES  
 ICC BUMPER

EQUIPPED WITH:  
 DAVIS TA21-8(60): SINGLE CYLINDER, TWIN ARM  
 UNDERBODY HOIST WITH 18 TONS LIFT CAPACITY  
 (NTEA CLASS 60) -FULL LENGTH SUBFRAME MOUNT  
 FULL AIR CONTROLS

CONSTRUCTION:  
 PER CUSTOMER SPECIFICATION

- ADDITIONAL EQUIPMENT:
- FRONT AND REAR MUDFLAPS
  - U.S. TARP 11525: HEAVY DUTY ELECTRIC TARP SYSTEM PER SPECIFICATION
  - TRIANGLE WARNING KIT
  - 5#'S ABC FIRE EXTINGUISHER
  - STROBE LIGHTS PER SPECIFICATION

THE ABOVE EQUIPMENT MEETS OR EXCEEDS ALL SPECIFICATIONS

ACCEPTED. The above prices, specifications and conditions are satisfactory and are hereby accepted. You are authorized to do the work as specified. Payment will be made as outlined above. Please refer to Quotation Number when placing your order.

Date of Acceptance: \_\_\_\_\_

Firm: \_\_\_\_\_

By: \_\_\_\_\_ *RM*



# DAVIS TRAILER & TRUCK EQUIPMENT, INC.

P.O. Box 4129 • 7609 Colonel Glenn • Little Rock, Arkansas 72214-4129  
(501) 562-6295 • In Ark. 1-800-482-9484 • Out of Ark. 1-800-233-1335

**OTHER INFORMATION:**

THE PRICE INCLUDES COMPLETE INSTALLATION, DIRECT MOUNT HYDRAULIC PUMP, "HOT" SHIFT PTO FOR FORD TORQUE SHIFT AUTOMATIC TRANSMISSION, MUDFLAPS, D.O.T. LIGHTING FOR THE FLATBED DUMP, OSHA SAFETY BODY PROP, BACK UP ALARM AND ONE COLOR PAINT PER SPECIFICATION. THE PRICE IS FIRM FOR 180 DAYS PROVIDED A PURCHASE ORDER IS ISSUED BY 01/31/16.

ACCEPTED. The above prices, specifications and conditions are satisfactory and are hereby accepted. You are authorized to do the work as specified. Payment will be made as outlined above. Please refer to Quotation Number when placing your order.

FOR RESALE

QUOTE TOTAL: \$ 15,065.00

Date of Acceptance: \_\_\_\_\_

Firm: \_\_\_\_\_

By: \_\_\_\_\_

*Clint A. Miller*

SPECIFICATIONS FOR  
DAVIS TA21-8: SINGLE CYLINDER TWIN ARM HOIST

Manufacturer: Davis Trailer and Truck Equipment, Inc.

Model #: TA21-8  
National Truck Equipment Association Class: 60

Rated Capacity: 24 tons lift with 12" overhang and 50 degree dump angle

Cylinder Manufacturer: Hyco/Dana  
Model #: 82136SA  
Bore: 8"  
Shaft: 2 1/2" (chrome plated)  
Stroke: 21"

Hydraulic pump manufacturer: Commercial Intertech

Model #: G-101 with four position valve

Operating pressure: 2,250 PSI

Flow: 16.0 gallons per minute @ 1,000 RPM

Bearings: Anti-friction roller bearings

Valve Manufacturer: Commercial Intertech

Model #: G-101

Type: Four position spool valve (raise, lower, feather and hold)

Subframe: Full length framed 1/4" channel - 5" deep with heavy duty hinge assembly

Hinge Assembly: 1" ears, 2" blocks and 2" pins

Safety Props: Two OSHA approved safety prop

Controls: Davis twin lever tower controls (Morse type solid core cables)

3 EA

COJA 3

7 2440 Duf



Grande Truck Center  
4562 IH 10 East, San Antonio, Texas, 78219  
Office: 210-661-4121 Fax: 210-666-7211

Wise wheel  
Duck Wisconsin  
Auto drum  
Dot Ref  
DOT Fire Ex

## Customer Proposal

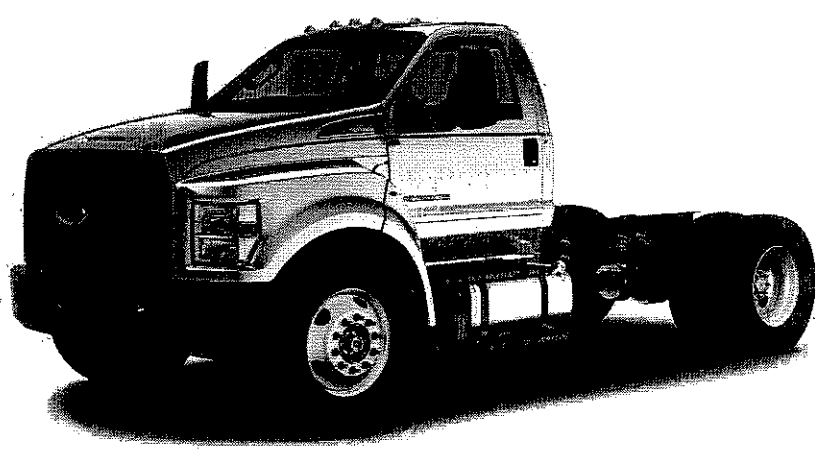
---

Prepared by:

ROCKY SHOFFSTALL  
Office: 210-661-4121  
Email: rshoffstall@grandetruck.com

Date: 11/23/2015

Vehicle: 2016 F-750 Diesel Base  
Regular Cab





## Selected Options

Code	Description	MSRP	Dealer
<b>Base Vehicle</b>			
F7D	Base Vehicle Price (F7D)	\$68,135.00	\$55,871.00
<b>Engines</b>			
99C	✓ 6.7L Power Stroke V8 Turbo Diesel - 270 HP @ 2400 RPM, 675 lb-ft Torque @ 1600 RPM  Includes Engine Exhaust Brake and manual regen capability. Torque: 675 ft.lbs. @ 1600 rpm. <i>Governed RPM: 3200. Includes CARB clean idle label - may be removed if un-necessary.</i>	STD	STD
916	✓ Speed Limit - 65mph	N/C	N/C
94B	Engine Idle Shutdown Timer - 10 Minutes	\$25.00	\$21.00
<b>Transmissions</b>			
44G	✓ Ford TorqShift HD 6-Speed Automatic - Double Overdrive, less PTO Provision <i>(RNDM).</i>	STD	STD
41A	✓ Transmission Power Take-Off Provision w/LiveDrive Capability	\$895.00	\$761.00
<b>Front Wheels &amp; Tires</b>			
643	✓ Wheels, Front 22.5x8.25 White Powder Coated Steel, 10-Hole <i>(285.75MM BC) hub piloted, flanged nut, metric mount, 8.25 DC rims; with steel hubs.</i>	\$25.00	\$21.00
TCT	✓ Tires, Front Two 11R22.5G Goodyear G661 HSA (496 rev/mile)	STD	STD
<b>Rear Wheels &amp; Tires</b>			
663	✓ Wheels, Rear 22.5x8.25 White Powder Coated Steel, 10-Hole <i>(285.75MM BC) hub piloted, flanged nut, metric mount, 8.25 DC rims; with steel hubs.</i>	\$50.00	\$43.00
RCE	✓ Tires, Rear Four 11R22.5H Goodyear G182 RSD (497 rev/mile)	\$95.00	\$81.00
<b>Brakes</b>			
67C	✓ Air Brakes - Straight Truck <i>Meritor Q-Plus with ABS, Bendix Anti-Lock Brake System, 4-channel. Includes 15" x 4" front brakes, dual direct reading air pressure gauges, brake lines color coded nylon, Bendix 13.2 CFM capacity air compressor, instrument panel mounted yellow knob parking brake control valve, automatic slack adjusters front and rear, two rear spring parking air brake chambers mounted on front of rear axle, three drain valves and two air tanks (Reference Body Builders Book for location). Rear brake size and components dependent upon axle selection.</i>	\$1,770.00	\$1,505.00

Prices and content availability as shown are subject to change and should be treated as estimates only. Actual base vehicle, package and option pricing may vary from this estimate because of special local pricing, availability or pricing adjustments not reflected in the dealer's computer system. See salesperson for the most current information.



## Selected Options (cont'd)

Code	Description	MSRP	Dealer
62D	✓ Air Dryer, Bendix AD/IP w/Heater <i>Mounted left frame rail.</i>	\$460.00	\$391.00
<b>Front Axle and Suspension</b>			
43P	✓ 12,000 lb. Cap. Non-Driving - Dana E-1202I - I-Beam Type	\$525.00	\$446.00
61D	✓ Taper-Leaf Springs, Parabolic - 12,000 lb. Cap 2-leaf, 62" x 3.15"	\$305.00	\$259.00
60A	Lube, Front Axle, EmGard 50W, Synthetic Oil	\$50.00	\$43.00
<b>Rear Axle and Suspension</b>			
479	✓ 23,000 lb. Single Reduction - Open <i>NOTE: When specifying an axle ratio, check performance guidelines for startability and gradeability.</i>	\$2,320.00	\$1,972.00
68R	✓ Multi-Leaf Springs - 23,000 lb. Cap <i>11-leaf. Includes 2,000 lb auxiliary springs for load stabilization.</i>	\$230.00	\$196.00
607	Lube, Rear Axle, EmGard 75W-90, Synthetic Oil	\$100.00	\$85.00
X6E	6.83 Axle Ratio	N/C	N/C
<b>Wheelbase</b>			
158WB	158" Wheelbase/84" CA/49" AF/246" OAL	STD	STD
<b>Frame</b>			
536	✓ Single Channel - Straight 'C' 14.18 SM, 120,000 PSI <i>1,701,600 RBM. Heat treated alloy steel; 10.125" x 3.580" x 0.312" (257.2mm x 90.9mm x 8.0mm).</i>	\$365.00	\$310.00
18D	Special Rating GVWR - Limited to 25,999 lb. GVWR	\$120.00	\$102.00
<b>Exhaust</b>			
91G	✓ Under Cab, Right Side Outlet, Switchback-Style <i>Single, horizontal muffler, right side, under cab, outside of frame rail with rear discharge.</i>	STD	STD
<b>Fuel Tanks</b>			
65B	✓ Fuel Tank - LH 50 Gallon Rectangular - Aluminum	STD	STD
10	10 Gal. Single Tank Fuel Fill. Mandatory Charge Applied, Based On Tank Selection	\$0.00	\$26.90
<b>Electrical / Alternator / Battery</b>			

Prices and content availability as shown are subject to change and should be treated as estimates only. Actual base vehicle, package and option pricing may vary from this estimate because of special local pricing, availability or pricing adjustments not reflected in the dealer's computer system. See salesperson for the most current information.



## Selected Options (cont'd)

Code	Description	MSRP	Dealer
17A	200 Amp Denso SC5 Heavy Duty Alternator <i>Extra heavy duty 12 Volt.</i>	Included	Included
55M	Jump Start Stud - Remote Mounted	\$90.00	\$77.00
63A	Battery - Two 750 CCA, 1500 Total, Includes Steel Battery Box <i>12Volt, Motorcraft.</i>	STD	STD
17M	✓ Back-Up Alarm - Electric, 102 dBA	\$110.00	\$94.00
962	Daytime Running Lamps	\$45.00	\$38.00
16V	Voltmeter <i>Available in message center.</i>	\$100.00	\$85.00
<b>Seats</b>			
88G	✓ 30/70 Air Ride Driver (External Air Source) & Fixed 2-Passenger Bench - Vinyl	\$395.00	\$336.00
<b>Cab Interior</b>			
600A	Preferred Equipment Package 600A	N/C	N/C
90P	Power Equipment Group <i>Includes power front side windows, power door locks and door trim panel.</i>	\$470.00	\$400.00
588	✓ Radio AM/FM Stereo w/Aux Audio Input Jack & Clock <i>With two speakers.</i>	STD	STD
<b>Cab Exterior</b>			
59A	✓ Horn, Air - Black, Single Trumpet  LATE AVAILABILITY when ordered w/Hydraulic Brakes. <i>Air solenoid operated, chassis mounted on rail back of bumper.</i>	\$90.00	\$77.00
54R	✓ Mirrors, Dual - Heated & Motorized Rectangular, XL2020 - 102" Width <i>Integral spot mirror, sail type, solid black finish.</i>	\$275.00	\$234.00
<b>Miscellaneous</b>			
PAINT	Paint Type - Environmentally Friendly, "3 - Wet System"	STD	STD
<b>Interior Colors</b>			
E	Gray	N/C	N/C
<b>Primary Colors</b>			
YZ	Oxford White	N/C	N/C

Prices and content availability as shown are subject to change and should be treated as estimates only. Actual base vehicle, package and option pricing may vary from this estimate because of special local pricing, availability or pricing adjustments not reflected in the dealer's computer system. See salesperson for the most current information.



## Selected Equipment & Specs

### Dimensions

Exterior length: 246.0" \* Exterior width: 96.7" \* Exterior height: 94.3" \* Wheelbase: 158.0" \* Front track: 83.5" \* Rear track: 72.7" \* Front legroom: 41.4" \* Front headroom: 40.7" \* Front hiproom: 67.6" \* Front shoulder room: 68.0"

### Powertrain

270hp 6.7L OHV 32 valve intercooled turbo V-8 engine with direct diesel injection \* Recommended fuel : diesel \* federal \* 6 speed automatic transmission with overdrive \* Rear-wheel drive \* Fuel Economy Cty: N/A \* Fuel Economy Highway: N/A \* 50.0 gal. rectangular Left front fuel tank \* Fuel/water separator \* Transmission PTO provision \* Standard rear differential \* Right mounted horizontal muffler \* Right mounted horizontal tailpipe

### Suspension/Handling

Front non-independent leaf spring suspension \* Rear rigid axle leaf spring suspension \* Hydraulic power-assist re-circulating ball Steering \* Front and rear 22.5 x 8.25 wheels \* 11.0R22.5 AS front and rear tires \* Dual rear wheels \* Rubber auxiliary rear springs

### Body Exterior

2 doors \* Driver and passenger power remote heated folding door mirrors \* Black door mirrors \* Black bumpers \* Side steps \* Clearcoat paint \* Straight front bumper ends \* Hood mounted grille \* Front and rear 22.5 x 8.25 white steel wheels with 10 wheel studs

### Convenience

Manual air conditioning \* Cruise control with steering wheel controls \* Power front windows \* Power door locks \* Manual tilt steering wheel \* Front cupholders \* Passenger visor mirror \* Single air horn \* Automatic gearshift steering column lever \* Driver and passenger door bins

### Seats and Trim

Seating capacity of 3 \* Fixed driver seat \* Fixed passenger seat \* Bucket driver seat, two person bench passenger seat \* Driver seat folding back \* Low back seats \* Driver seat air suspension \* Driver seat with 4 way direction control, passenger seat with 2 way direction control \* Manual fore/aft seats

### Entertainment Features

AM/FM stereo radio \* Auxiliary audio input \* 4 speakers \* Fixed antenna

### Lighting, Visibility and Instrumentation

Halogen aero-composite headlights \* Variable intermittent front windshield wipers \* Light tinted windows \* Front reading lights \* Tachometer \* Voltmeter \* Oil pressure gauge \* Trip computer \* Trip odometer

### Safety and Security

4-wheel ABS brakes \* Air brakes \* Power door locks

### Dimensions

#### General Weights

Curb	11868 lbs.	Front curb weight	7101 lbs.
Rear curb weight	4767 lbs.	Front axle capacity	12000 lbs.
Rear axle capacity	23000 lbs.	Front spring rating	12000 lbs.
Rear spring rating	23000 lbs.	Front tire/wheel capacity	12350 lbs.
Rear tire/wheel capacity	24020 lbs.	Front GAWR	12000 lbs.
Rear GAWR	23000 lbs.	GVWR	25999 lbs.
GCWR	50000 lbs.		

#### Fuel Tank type

Capacity 50 gal.

#### Front Frame

Height loaded 35 "      Height unloaded 37 "

Prices and content availability as shown are subject to change and should be treated as estimates only. Actual base vehicle, package and option pricing may vary from this estimate because of special local pricing, availability or pricing adjustments not reflected in the dealer's computer system. See salesperson for the most current information.



## Selected Equipment & Specs (cont'd)

### Rear Frame

Height loaded . . . . . 37 "      Height unloaded . . . . . 38 "

### Selected Options that limit GVWR

Special Rating GVWR - Limited to 25,999 lb.  
 GVWR . . . . . 18D

### Powertrain

#### Engine Type

Block material . . . . .	Iron	Cylinders . . . . .	V-8
Head material . . . . .	Aluminum	Ignition . . . . .	Compression
Injection . . . . .	Direct diesel injection	Liters . . . . .	6.7L
Orientation . . . . .	Longitudinal	Recommended fuel . . . . .	Diesel
Valves per cylinder . . . . .	4	Valvetrain . . . . .	OHV
Forced induction . . . . .	Intercooled turbo		

#### Engine Spec

Bore . . . . .	3.90"	Compression ratio . . . . .	16.2:1
Displacement . . . . .	406 cu.in.	Stroke . . . . .	4.25"

#### Engine Power

Output . . . . .	270 HP @ 2,400 RPM	Torque . . . . .	675 ft.-lb @ 1,600 RPM
Governed RPM . . . . .	3200		

#### Alternator

Type . . . . .	HD	Amps . . . . .	200
----------------	----	----------------	-----

#### Battery

Cold cranking amps . . . . .	1500	Location . . . . .	Forward right
Step . . . . .	Yes	Type . . . . .	Dual

#### Transmission

Electronic control . . . . .	Yes	Lock-up . . . . .	Yes
Overdrive . . . . .	Yes	Speed . . . . .	6
Type . . . . .	Automatic		

#### Transmission Gear Ratios

1st . . . . .	3.974	2nd . . . . .	2.318
3rd . . . . .	1.516	4th . . . . .	1.149
5th . . . . .	0.858	6th . . . . .	0.674
Reverse Gear ratios . . . . .	3.128		

#### Transmission Torque Converter

Stall ratio . . . . .	1.85
-----------------------	------

#### Transmission Extras

Driver selectable mode . . . . .	Yes	Sequential shift control . . . . .	Yes
Oil cooler . . . . .	Regular	PTO provision . . . . .	Yes

#### Drive Type

Type . . . . .	Rear-wheel
----------------	------------

#### Drive Axle

Ratio . . . . .	6.83
-----------------	------

#### Exhaust

Material . . . . .	Aluminized steel	System type . . . . .	Single
--------------------	------------------	-----------------------	--------

Prices and content availability as shown are subject to change and should be treated as estimates only. Actual base vehicle, package and option pricing may vary from this estimate because of special local pricing, availability or pricing adjustments not reflected in the dealer's computer system. See salesperson for the most current information.





## Selected Equipment & Specs (cont'd)

*Emissions*  
 CARB ..... Federal

*Engine Retarder*  
 Type ..... Yes

### Driveability

*Brakes*  
 ABS ..... 4-wheel  
 Type ..... Air brakes  
 ABS channels ..... 4

*Suspension Control*  
 Ride ..... Regular

*Front Suspension*  
 Independence ..... Non-independent  
 Type ..... Leaf

*Front Spring*  
 Type ..... Tapered leaf  
 Grade ..... Regular

*Front Shocks*  
 Type ..... Regular

*Rear Suspension*  
 Independence ..... Rigid axle  
 Type ..... Leaf

*Rear Spring*  
 Type ..... Multi-leaf  
 Auxiliary ..... Rubber  
 Grade ..... Regular

*Steering*  
 Activation ..... Hydraulic power-assist  
 Type ..... Re-circulating ball

*Steering Specs*  
 # of wheels ..... 2

### Exterior

*Front Wheels*  
 Diameter ..... 22.5"  
 Width ..... 8.25"

*Rear Wheels*  
 Diameter ..... 22.5"  
 Dual ..... Yes  
 Width ..... 8.25"

*Front Tires*  
 Aspect ..... 82  
 Sidewalls ..... BSW  
 Width ..... 11.0"  
 RPM ..... 496  
 Diameter ..... 22.5"  
 Tread ..... AS  
 LT load rating ..... G

*Rear Tires*  
 Aspect ..... 82  
 Sidewalls ..... BSW  
 Width ..... 11.0"  
 RPM ..... 497  
 Diameter ..... 22.5"  
 Tread ..... AS  
 LT load rating ..... H

*Wheels*

Prices and content availability as shown are subject to change and should be treated as estimates only. Actual base vehicle, package and option pricing may vary from this estimate because of special local pricing, availability or pricing adjustments not reflected in the dealer's computer system. See salesperson for the most current information.



## Selected Equipment & Specs (cont'd)

Front track	83.5"	Rear track	72.7"
Turning radius (to curb)	22'	Turning radius (to bumper)	23'
Wheelbase	158.0"		

### Body Features

Front splash guards	Yes	Body material	Composite/galvanized steel
Side steps	Yes		

### Body Doors

Door count	2
------------	---

### Exterior Dimensions

Length	246.0"	Body width	96.7"
Body height	94.3"	Cab to axle	84.0"
Axle to end of frame	49.0"	Frame section modulus	14.2cu.in.
Frame yield strength (psi)	120000.0	Frame rail depth	10.1"
Frame rail width	3.6"	Frame rail thickness	0.3"
Max RBM (in.-lbs.)	1780800.0	Frame rail section	9.5"
Front bumper to Front axle	39.0"	Nominal RBM (in.-lbs.)	1701600.0

## Seating

### Passenger Capacity

Capacity	3
----------	---

### Driver Seat

Type	Bucket	Back	Folding
Back type	Low	Suspension	Air
Way direction control	4	Fore/aft	Manual

### Passenger Seat

Type	Two person bench	Back type	Low
Way direction control	2	Fore/aft	Manual

### Front Seat Trim

Material	Vinyl	Back material	Carpet
----------	-------	---------------	--------

## Convenience

### AC And Heat Type

Air conditioning	Manual
------------------	--------

### Audio System

Auxiliary audio input	Yes	Radio	AM/FM stereo
Radio grade	Regular	Seek-scan	Yes

### Audio Speakers

Speaker type	Regular	Speakers	4
--------------	---------	----------	---

### Audio Antenna

Type	Fixed
------	-------

### Cruise Control

Cruise control	With steering wheel controls
----------------	------------------------------

### Convenience Features

12V DC power outlet	2	Back-up alarm	Yes
Horn	Single air		

### Door Lock Activation

Prices and content availability as shown are subject to change and should be treated as estimates only. Actual base vehicle, package and option pricing may vary from this estimate because of special local pricing, availability or pricing adjustments not reflected in the dealer's computer system. See salesperson for the most current information.



## Selected Equipment & Specs (cont'd)

Type .....	Power		
<i>Instrumentation Type</i>			
Display .....	Analog		
<i>Instrumentation Gauges</i>			
Tachometer .....	Yes	Oil pressure .....	Yes
Engine temperature .....	Yes	Voltmeter .....	Yes
Transmission fluid temp .....	Yes	Engine hour meter .....	Yes
Primary air pressure .....	Yes		
<i>Instrumentation Warnings</i>			
Battery .....	Yes	Lights on .....	Yes
Key .....	Yes	Service interval .....	Yes
Brake fluid .....	Yes	Transmission fluid temp .....	Yes
<i>Instrumentation Displays</i>			
Clock .....	In-radio display		
<i>Instrumentation Feature</i>			
PRND in IP .....	Yes	Trip computer .....	Yes
Trip odometer .....	Yes		
<i>Steering Wheel Type</i>			
Material .....	Urethane	Tilting .....	Manual
<i>Front Side Windows</i>			
Window 1st row activation .....	Power		
<i>Window Features</i>			
Tinted .....	Light		
<i>Front Windshield</i>			
Wiper .....	Variable intermittent		
<i>Rear Windshield</i>			
Window .....	Fixed		
<i>Automatic Gearshift</i>			
Location .....	Steering column lever		

### Interior

<i>Passenger Visor</i>			
Mirror .....	Yes		
<i>Headliner</i>			
Coverage .....	Full	Material .....	Cloth
<i>Floor Trim</i>			
Coverage .....	Full	Covering .....	Vinyl/rubber
<i>Trim Feature</i>			
Gear shift knob .....	Urethane		
<i>Lighting</i>			
Dome light type .....	Delay	Front reading .....	Yes
Variable IP lighting .....	Yes		
<i>Storage</i>			
Driver door bin .....	Yes	Front Beverage holder(s) .....	Yes

Prices and content availability as shown are subject to change and should be treated as estimates only. Actual base vehicle, package and option pricing may vary from this estimate because of special local pricing, availability or pricing adjustments not reflected in the dealer's computer system. See salesperson for the most current information.



### Selected Equipment & Specs (cont'd)

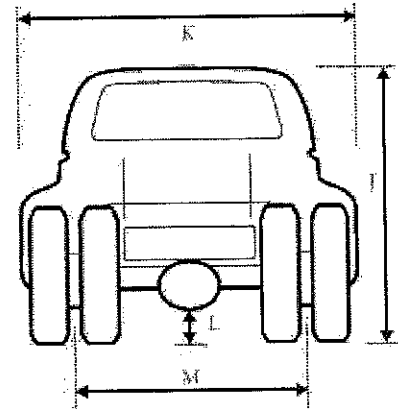
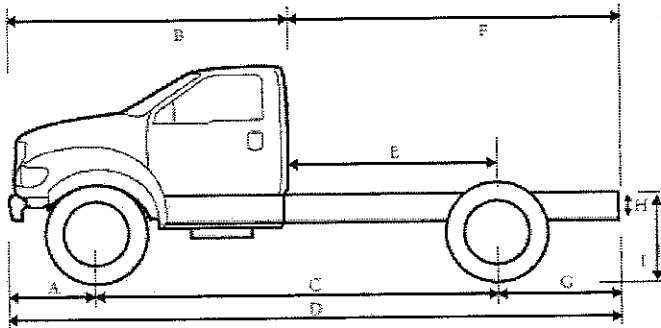
Glove box	Yes	Passenger door bin	Yes
Dashboard	Yes		
<i>Legroom</i>			
Front	41.4"		
<i>Headroom</i>			
Front	40.7"		
<i>Hip Room</i>			
Front	67.6"		
<i>Shoulder Room</i>			
Front	68.0"		

Prices and content availability as shown are subject to change and should be treated as estimates only. Actual base vehicle, package and option pricing may vary from this estimate because of special local pricing, availability or pricing adjustments not reflected in the dealer's computer system. See salesperson for the most current information.



## Performance

Performance predictions in this report represent an estimate of vehicle performance based on standard operating conditions. Variations in customer equipment, load configuration, ambient conditions, and/or operator driving techniques can cause significant variations in vehicle performance. These values are not representative of results that may be shown in actual dynamometer tests. This report should therefore be used as a guide for comparative vehicle performance.



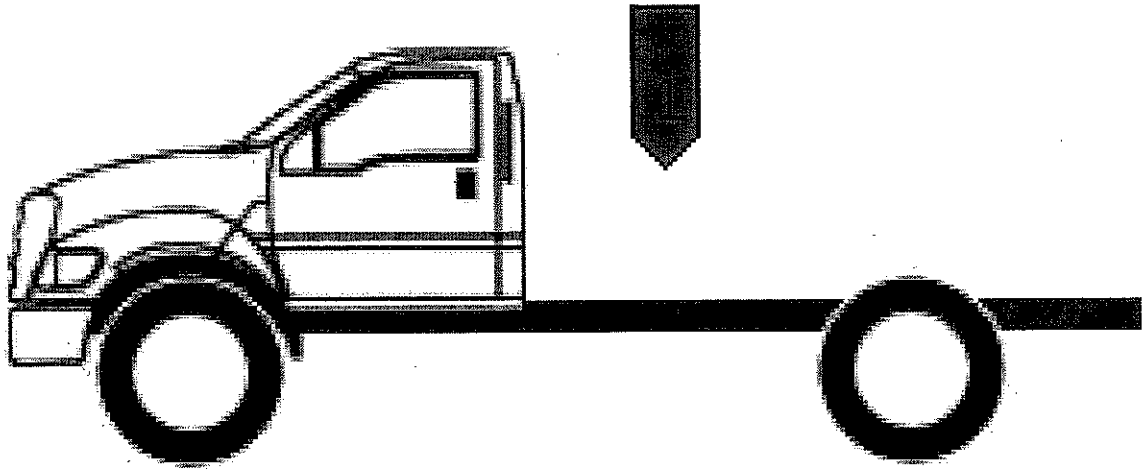
### Dimensions

A	Front of Bumper to Front Axle	39.00 in.
B	Front Bumper to Back of Cab (BBC)	113.00 in.
C	Wheelbase (WB)	158.00 in.
D	Overall Length (OAL)	246.00 in.
E	Back of Cab to Rear Axle (CA)	84.00 in.
F	Back of Cab to End of Frame	133.00 in.
G	Rear Axle to End of Frame (AF)	49.00 in.
H	Frame Section Height	10.10 in.
I	Rear Frame Height Unloaded	38.20 in.
I	Rear Frame Height Loaded	36.80 in.
J	Cab Height	94.30 in.
K	Body Width	96.70 in.
L	Maximum Ground Clearance	N/A
L	Minimum Ground Clearance	N/A
M	Front Tread	83.50 in.
M	Rear Tread	72.70 in.

Prices and content availability as shown are subject to change and should be treated as estimates only. Actual base vehicle, package and option pricing may vary from this estimate because of special local pricing, availability or pricing adjustments not reflected in the dealer's computer system. See salesperson for the most current information.



## Performance (cont'd)



### Weight

GVW	Front Axle	Rear Axle	Totals
Chassis	7,101 lbs	4,767 lbs	11,868 lbs
Body	0 lbs	0 lbs	0 lbs
Occupant	200 lbs	100 lbs	300 lbs
1 Max Payload - (Max. Payload)	4,699 lbs	9,132 lbs	13,831 lbs
<b>TOTAL</b>	<b>12,000 lbs</b>	<b>13,999 lbs</b>	<b>25,999 lbs</b>

Ratings	Front Axle	Rear Axle	GVWR
GAWR	12,000 lbs	23,000 lbs	25,999 lbs
Wheels/Tires	12,350 lbs	24,020 lbs	
Suspension	12,000 lbs	23,000 lbs	
Axle	12,000 lbs	23,000 lbs	
Legal Axle Limit	0 lbs	0 lbs	

### Selected Options that limit GVWR

Selected Options that limit GVWR	Totals
18D Special Rating GVWR - Limited to 25,999 lb. GVWR	25,999 lbs

GCW	Totals
Adjusted GVW	25,999 lbs
Weight of trailer:	0 lbs
Weight of trailer cargo:	0 lbs
<b>TOTAL</b>	<b>25,999 lbs</b>

Prices and content availability as shown are subject to change and should be treated as estimates only. Actual base vehicle, package and option pricing may vary from this estimate because of special local pricing, availability or pricing adjustments not reflected in the dealer's computer system. See salesperson for the most current information.



## Performance (cont'd)

### Start, Grade and Speed

Start	Ratio	Desired	Calculated
Start grade capability in 1st gear	3.97	15.00 %	30.23 %
Start grade capability in reverse	3.13	15.00 %	23.80 %
Grade	Ratio	Desired	Calculated
Maximum grade in 4th gear	1.15	3.00 %	9.46 %
Maximum grade in 5th gear	0.86	3.00 %	7.07 %
Maximum grade in 6th gear	0.67	3.00 %	5.55 %
Speed		Desired	Calculated
Top Speed (level grade)		75 mph	84 mph
<i>To meet your requirement you need a maximum axle ratio of 7.64</i>			
Top Speed on 3.0% grade		55 mph	
<i>To meet your requirement you need a maximum of 166 hp</i>			
Cruise Speed		60 mph	60 mph
Engine RPM at desired cruise speed		2288 rpm	

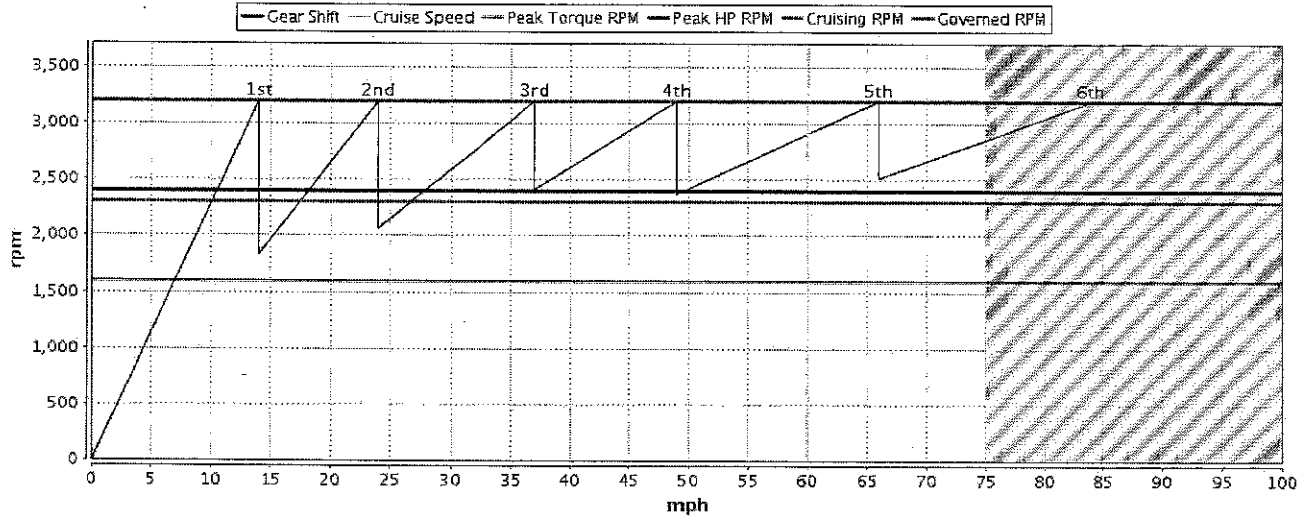
### Variables in Use

Rear axle ratio:	6.83/6.83	Governed RPM:	3,200 rpm
Tire size:	11R22.5 (497 rev/mile)	Frontal Area:	57.28 Sq.Ft.
Gross Vehicle Weight (GVW):	25,999 lbs	Cruising RPM:	2,300 rpm
Clutch engagement torque:	337 ft.lbs.	Worst road surface:	Typical Highway
Torque conversion ratio:	1.85	Final Drive Ratio:	0.67
Peak engine torque:	675 ft.lbs.	Drag Coefficient:	0.80
Engine Power:	270 hp @ 2,400 rpm		



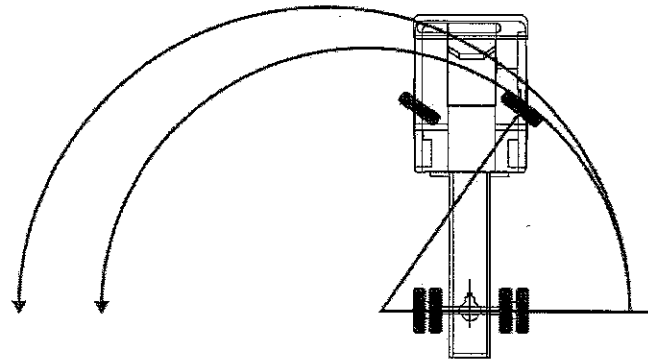
## Performance (cont'd)

### Shift Chart



### Turning Radius

Turning radius to curb: 21.92 ft  
 Turning radius to bumper: 23.49 ft



Prices and content availability as shown are subject to change and should be treated as estimates only. Actual base vehicle, package and option pricing may vary from this estimate because of special local pricing, availability or pricing adjustments not reflected in the dealer's computer system. See salesperson for the most current information.



# DAVIS TRAILER & TRUCK EQUIPMENT, INC.

P.O. Box 4129 • 7609 Colonel Glenn • Little Rock, Arkansas 72214-4129  
(501) 562-6295 • In Ark. 1-800-482-9484 • Out of Ark. 1-800-233-1335

December 4, 2015

Mr. Rocky Shoffstall  
Grande Truck Center  
4562 IH-10 East  
San Antonio, TX 78219  
Ph: 210-860-7537

RE: City of San Antonio IFB NO: 6100006820  
4.5 Item 3 35,000 G.V.W.R. 7 Cubic Yard Dump Truck

Dear Mr. Shoffstall:

Attached is our quote for furnishing and installing three 10' 7-8 cubic yard capacity dump bodies and associated equipment meeting or exceeding all specifications contained in the invitation to bid. The price includes all items in the dump body specifications plus the electric back up alarm, triangle warning kit and 5#'s ABC fire extinguisher. I have quoted a towing package which meets the customer's requirements. Should we win this item, we will have to discuss the towing package with the customer. Delivery will be within 30 days of receiving an order from you or within 15 working days of receiving the truck-whichever is longer. The price is F.O.B. San Antonio, Texas, and assumes the truck is drop shipped to us. The price is firm for 180 days provided a purchase order is issued by 01/31/16.

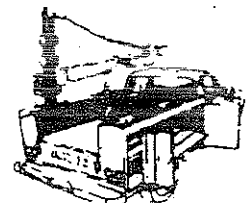
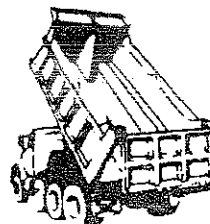
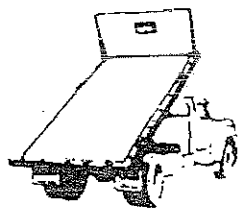
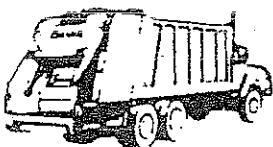
I have enclosed our brochure and the specification sheet on the Davis TA21-8(60) hoist. The dump body will be built to the exact specifications contained in the invitation to bid. We are providing all equipment and accessories requested. You will not have problems based on the specifications if you provide our equipment and if the specifications are enforced, our price should be very competitive. If you have any questions, please call me at 1-800-233-1335 or 1-501-562-6295.

Thank you for the opportunity to quote. Good luck on winning the bid and securing the business.

Sincerely,



Chester D. Mercer  
President





# DAVIS TRAILER & TRUCK EQUIPMENT, INC.

P.O. Box 4129 • 7609 Colonel Glenn • Little Rock, Arkansas 72214-4129  
(501) 562-6295 • In Ark. 1-800-482-9484 • Out of Ark. 1-800-233-1335

**OTHER INFORMATION:**

THE PRICE INCLUDES COMPLETE INSTALLATION, DIRECT MOUNT HYDRAULIC PUMP, "HOT" SHIFT PTO FOR FORD TORQUE SHIFT AUTOMATIC TRANSMISSION, MUDDFLAPS, D.O.T. LIGHTING FOR THE BODY, OSHA SAFETY BODY PROP, BACK UP ALARM AND ONE COLOR STANDARD PAINT PER SPECIFICATION. THE PRICE IS FIRM FOR 180 DAYS PROVIDED A PURCHASE ORDER IS ISSUED BY 01/31/16.

ACCEPTED. The above prices, specifications and conditions are satisfactory and are hereby accepted. You are authorized to do the work as specified. Payment will be made as outlined above. Please refer to Quotation Number when placing your order.

FOR RESALE

QUOTE TOTAL: \$ 46,695.00

Date of Acceptance: \_\_\_\_\_

Firm: \_\_\_\_\_

By: \_\_\_\_\_

*Clint S. Miller*

# **DAVIS**

## **DUMP BODIES**



**COMPETITIVE  
PRICE!**

**ONE-DAY  
INSTALLATION**



**RUGGED  
CONSTRUCTION**

(501) 562-6295 ■ FAX (501) 562-4036

**CALL TOLL FREE:**

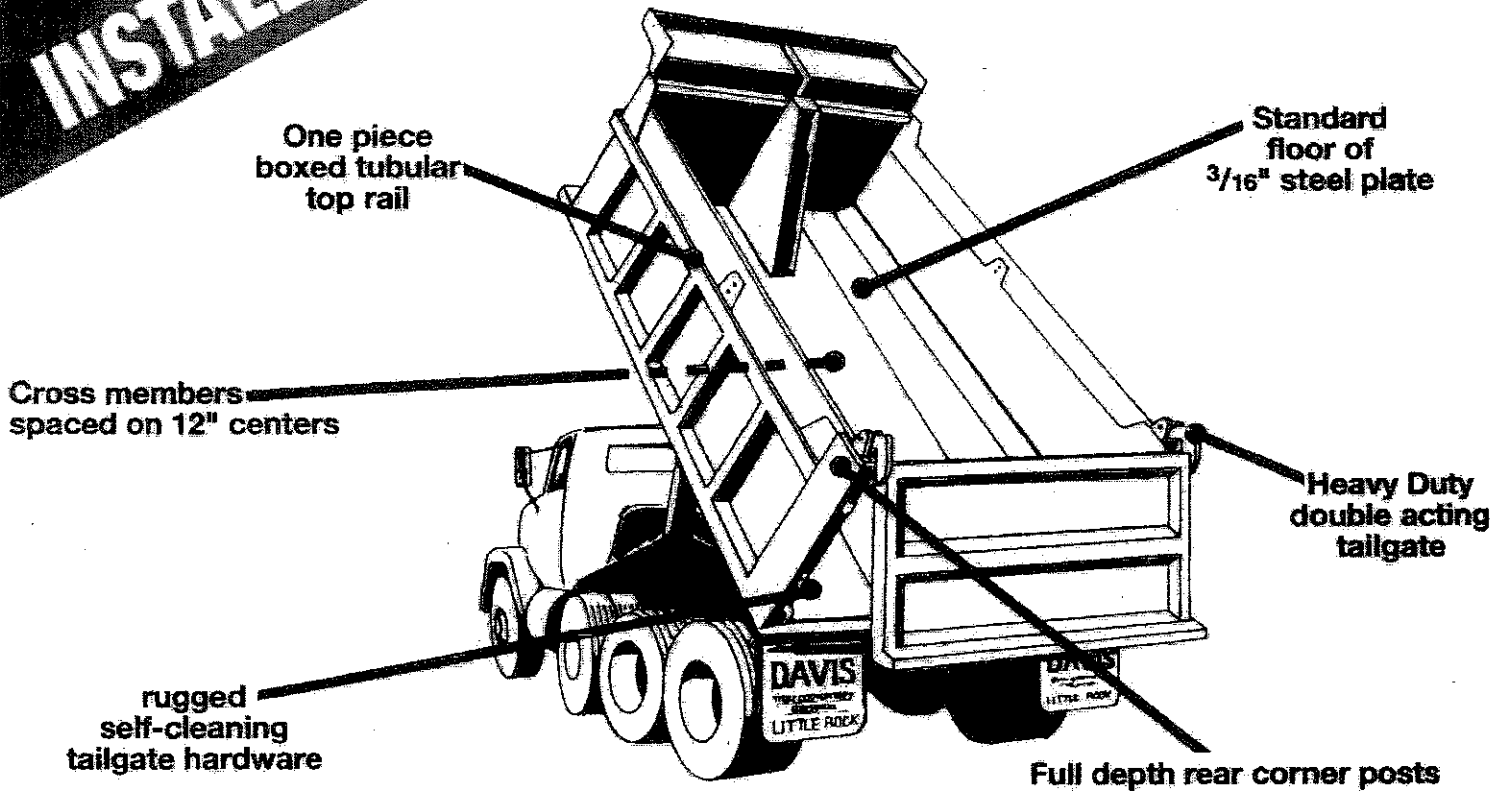
OUTSIDE ARKANSAS 1-800-233-1335  
INSIDE ARKANSAS 1-800-482-9484  
PARTS 1-800-873-2847

<http://www.davisdump.com>

***Founded in Arkansas in 1928***

**ONE DAY  
INSTALLATION**

**DAVIS**



Founded in 1928, Davis Trailer & Truck Equipment Company began with a firm dedication to specialize in the manufacturing and installation of high-quality, top-of-the-line dump bodies, and complementary equipment such as tag and pusher axles, asphalt aprons, cab protectors, and air operated tailgates. We attribute our rapid growth over 60 years to a fervent belief that our customers are number one, thus entitling them to quality products as well as quality service.

### **We can assure our customers of quality service by:**

1. Maintaining a large stock of the most popular body sizes. When you call us we will have your body in stock.
2. Maintaining a large stock of service parts to guarantee you one-day installation of standard bodies and fast installation of specialized equipment.
3. Maintaining a streamlined manufacturing process for specialized bodies so that you will not have to wait.

Davis is also a full-line truck equipment distributor, specializing in flatbed dumps, service, cranes, lift axles, winch bodies and more.

**DAVIS**

**TRAILER AND TRUCK EQUIPMENT, INC., Little Rock, AR**  
7609 Col. Glenn ■ P.O. Box 4129 ■ Little Rock, AR 72214  
(501) 562-6295 ■ FAX (501) 562-4036

**CALL TOLL FREE:**

OUTSIDE ARKANSAS 1-800-233-1335  
INSIDE ARKANSAS 1-800-482-9484  
PARTS 1-800-873-2847

<http://www.davisdump.com>

VOLVO TRUCKS

# CUSTOMER PROPOSAL



## VHD64FT200

8 EA  
Item # 5

Loss Wheel

Air Log

Auto Draw

Prepared For:

JAMES CAUDILL

CITY OF SAN ANTONIO

210-207-8380

Prepared By:

ROCKY SHOFFSTALL

RSHOFFSTALL@GRANDETRUCK.COM

GRANDE TRUCK CENTER

Thu, Dec 03, 2015 17:21:47 PM EST



# Table of Contents

Vehicle Spec.....	3
Top Speed.....	14
GAWR.....	15
Dimensions.....	16
TopDimensions.....	17



# Vehicle Spec

<b>BASE MODEL</b>		<b>Description</b>	<b>Front Weight</b>	<b>Rear Weight</b>	<b>Price</b>
004645	BASE MODEL	VHD64FT200	8,939	7,706	

## MODEL PACKAGE

S 99X76X	MANUFACTURING LOCATION	VOLVO TRUCKS - ASSEMBLED IN THE USA	0	0	
----------	------------------------	-------------------------------------	---	---	--

## VEHICLE ADAPTATION

S 114010	MARKET ADAPTATION	USA / USA TERRITORY MARKET ADAPTATION	0	0	
S 38XCNX	OPERATOR'S MANUAL LANGUAGE	ENGLISH	0	0	
S 125001	AREA/DOMICILE (EXHAUST)	49 STATE + CANADA / NON CALIFORNIA	0	0	
S 263009	VEHICLE APPLICATION	TRACTOR / LOW-BOY TRAILER	0	0	
S DKXG2X	GROSS COMBINATION WEIGHT	80,000 LB GROSS COMBINATION WEIGHT	0	0	
S 2MCA1X	VEHICLE GHG CERTIFICATION	GREEN HOUSE GAS COMPLETE VEHICLE CERTIFICATION	0	0	
S 3GCB1X	GHG VEHICLE APPLICATION	GREEN HOUSE GAS VOCATIONAL APPLICATION	0	0	
S 898003	VEHICLE WARRANTY QUALIFICATION	STANDARD HEAVY DUTY WARRANTY QUALIFIED	0	0	
S 259003	VEHICLE VOCATION	CONSTRUCTION SERVICE	0	0	
S 260006	OPERATING CONDITIONS	ON HIGHWAY, STARTING GRADES<16%	0	0	
S 264001	LOADING SURFACE FACTOR	CONCRETE LOADING AND / OR UNLOADING SURFACE	0	0	
S DHX20X	OPERATING CLASS	OPERATING CLASS TWO (ON/OFF HIGHWAY)	0	0	
S FHXL1X	VEHICLE WIDTH	102" (2590 MM) VEHICLE WIDTH	0	0	
O 938002	CUSTOMER FLEET SIZE	REGIONAL FLEET 25 OR MORE VEHICLES IN OWN FLEET OF ANY VEHICLE BRAND	0	0	

## PASSIVE AND ACTIVE SAFETY

S 2CXD1X	CAB TYPE	HIGH-STRENGTH STEEL (HSS) DAY CAB	0	0	
S 2WXA1X	STEERING WHEEL	VOLVO SAFETY 18" SPORT STEERING WHEEL AND ADJUSTABLE STEERING COLUMN	0	0	
S DUXA1X	SRS AIR BAG	VOLVO SRS AIR BAG-DRIVER SIDE ONLY	0	0	
S D8XC1X	SAFETY BELT REMINDER	SAFETY BELT INDICATOR AND AUDIBLE REMINDER	0	0	
S 43X40X	AUXILIARY DOWN VIEW MIRROR	DOWN VIEW MIRROR OVER PASSENGER DOOR	0	0	





S WRXA1X ANTILOCK BRAKE SYSTEM BENDIX ABS 0 0  
MANUFACTURER

### ENGINE

S 932004 DRIVETRAIN CONCEPT VOLVO STRAIGHT TORQUE 0 0  
O 1017S6 ENGINE PACKAGE VOLVO D13-475 HP 2100RPM 1650 LB-FT - 390 0 ✓  
EPA'14 EMISSION LEVEL

### ENGINE EQUIPMENT

S KWXA1X AIR CLEANER SINGLE STAGE AIR CLEANER 0 0  
S JWXD1X AIR INTAKE HOOD MOUNTED AIR INTAKE 0 0  
O H9XK1X RADIATOR 1240 SQ IN, 2 ROW CORE RADIATOR 18 0  
S K9X09X COOLANT EXTENDED LIFE ANTIFREEZE -34 F (-37 C) 0 0  
S C4XA2X COOLANT CHEVRON TEXACO 0 0  
MANUFACTURER  
S 208025 FAN CLUTCH PACKAGE ELECTRONIC VISCOUS FAN CLUTCH 0 0  
S NCXA5X STARTER DELCO REMY 12V 39MTHD STARTER 0 0  
S PJXMGX ALTERNATOR 135 AMP DELCO REMY 35SI PAD MOUNT 0 0  
ALTERNATOR (12V)  
O 810113 BATTERY PACKAGE 3 VOLVO 760 CCA MAINTENANCE FREE 12V 36 12 ✓  
BATTERIES, 2280 CCA  
S L4X16X BATTERY BOX MOUNTING BATTERY BOX, LEFT HAND SIDE, BEHIND 0 0  
FRONT FENDER  
S NQXB1X BATTERY BOX BATTERY BOX - 3 CAPACITY 0 0  
CONFIGURATION  
S L5XA1X BATTERY BOX COVER BASIC BATTERY BOX COVER 0 0  
S NFXA0X BATTERY DISCONNECT MANUAL BATTERY DISCONNECT MAIN SWITCH 0 0  
SWITCH  
S 428001 DIESEL EXHAUST FLUID 18.5 GALLON LH 26", FRAME MOUNTED (168 0 0  
TANK LBS OF DEF WHEN FILLED TO MAXIMUM  
LEVEL) INCLUDED IN BASE MODEL WEIGHT  
S 230024 EXHAUST SYSTEM COMPACT DPF MOUNTED RIGHT HAND SIDE 0 0  
UNDER CAB, FRAME MOUNTED SCR, WITH  
SINGLE VERTICAL STACK BACK OF CAB  
S 232079 EXHAUST OUTLET 12' 6" ALUMINIZED STAINLESS STEEL SINGLE 0 0 ✓  
PACKAGE STACK  
S K0XD1X EXHAUST FEATURES TURNED OUT EXHAUST EXTENSION 0 0  
S DVXC3X LOWER EXHAUST PIPING ALUMINIZED STAINLESS STEEL EXHAUST PIPE 0 0  
S CUXB1X EXHAUST PIPING FLEX STAINLESS STEEL EXHAUST FLEX SECTION 0 0  
SECTION  
S KNXC1X EXHAUST SHIELD ALUMINUM EXHAUST SHIELD 0 0  
S JVXH1X PRIMARY FUEL FILTER VOLVO DUAL ENGINE MOUNTED FUEL FILTERS 0 0  
WITH WATER SEPARATOR



S MBXA1X	PRIMARY FUEL FILTER LOCATION	STANDARD FUEL FILTER LOCATION	0	0	
S VWXCAX	COMPRESSOR	WABCO 31.8 CFM COMPRESSOR	0	0	
S 2GBAZX	CLUTCHABLE AIR COMPRESSOR	NO CLUTCHABLE AIR COMPRESSOR PROVIDED	0	0	
O HTXA8X	ENGINE BRAKE	VOLVO ENGINE BRAKE (I-VEB)	0	0	✓
S QHXC1X	ENGINE OIL PAN	STAMPED STEEL OIL PAN (STANDARD OIL CHANGE INTERVALS)	0	0	

### TRANSMISSION

O RWXJJX	TRANSMISSION PACKAGE	EATON FULLER FRO-16210C, 10 SPEED	4	1	✓
O QPXAAX	TRANSMISSION APPLICATION	STANDARD DUTY	0	0	
O RVXA1X	GEAR SHIFT LEVER	FIXED GEAR SHIFT LEVER	0	0	
S 7RXB1X	TRANSMISSION LUBRICANT	SYNTHETIC TRANSMISSION LUBRICANT	0	0	
O T2XC3X	TRANSMISSION COOLER	WATER TO OIL TRANS COOLER IN RADIATOR	0	0	
S THXC2X	DRIVELINE MANUFACTURER	SPICER LIFE DRIVELINE WITH GREASEABLE XL U-JOINTS	0	0	
S TKXA1X	DRIVELINE	CALCULATED TO TORQUE REQUIREMENTS	0	0	
O 250090	CLUTCH	EATON 15.5" 2 PLATE CERAMETALLIC SOLO ADVANTAGE 9-SPRING, 4 PAD - 1650 LB-FT CAPACITY	0	0	✓
O RBXA1X	CLUTCH FEATURES	LUBE LINE BETWEEN RELEASE BEARING AND BELL HOUSING	0	0	✓

### PROGRAMMABLE FEATURES

S 9KAB1X	IDLE EMISSION CERTIFICATION	IDLE EMISSION CERTIFICATION, CARB 08	0	0	
S Y7BB1X	IDLE EMISSION LABEL LOCATION	CAB MOUNTED CARB '08 DECAL LOCATION	0	0	
S 78AC5X	EMISSION ON BOARD DIAG CONTROL	EMISSION ON BOARD DIAGNOSTIC, DISPLAY ONLY, USA 2016	0	0	
S A3AAAX	ENGINE IDLE AUTOMATIC SHUTDOWN (AL)	ENGINE IDLE SHUTDOWN, ENABLE	0	0	
S E0XFLX	ENGINE IDLE SHUTDOWN TIME (AM)	IDLE SHUTDOWN TIME 5 MINUTES	0	0	
S K7XA1X	ENGINE IDLE CONTROL (CMQ)	BASIC ENGINE IDLE CONTROL	0	0	
S D3AAEX	AMBIENT TEMP MAX THRESHOLD (CMO)	MAX AMBIENT AIR TEMP OVER-RIDE, 80 DEG F (27 DEG C)	0	0	
S D2AACX	AMBIENT TEMP MIN THRESHOLD (CMN)	MIN AMBIENT AIR TEMP OVER-RIDE, 45 DEG F (7 DEG C)	0	0	
S JDXD1X	CRUISE CONTROL (AG)	WITH ECO CRUISE CONTROL	0	0	



S JFXLLX	CRUISE CONTROL, MAX SPEED (AI)	MAXIMUM CRUISE, 65 MPH (105 KM/H)	0	0
S Y3CC5X	PEDAL ROAD SPEED LIMIT SETTING (P1I16)	PEDAL ROAD SPEED LIMIT, 65 MPH (105 KM/H)	0	0
S JCXE6X	ROAD SPEED LIMIT SETTING (P1AOC)	ROAD SPEED LIMIT, 65 MPH (105 KM/H)	0	0
S U4AA1X	GEAR DOWN VEHICLE SPEED LIMITER (P1AL0)	GEAR DOWN VEHICLE SPEED LIMITER ENABLED	0	0
S U5AK3X	GEAR DOWN VEHICLE SPEED LIMIT (P1AOD)	GEAR DOWN VEHICLE SPEED, 58 MPH (93 KM/H)	0	0
S E3AAEX	CRUISE CONTROL MIN SPEED (BK)	MIN CRUISE, 30 MPH (48 KM/H)	0	0
S X2BA1X	ROAD SPEED LIMIT CONTROL TYPE (P1I01)	WITH ECO RSL CONTROL	0	0
S 0NAA1X	OPTIMIZED FUEL ECON INDICATOR (P1LXM)	OPTIMIZED FUEL ECONOMY INDICATOR, SWEET SPOT	0	0
S X1BA1X	ENGINE LOAD IN PTO (CMM)	30% MINIMUM ENGINE LOAD LIMIT IN PTO BEFORE ALLOW IDLE SHUTDOWN	0	0
S W5BE1X	MAXIMUM ENGINE SPEED AT 0 MPH (P1ANA)	1400 MAXIMUM ENGINE RPM AT 0 MPH	0	0
S K5XA2X	ENGINE PROTECTION SYSTEM (P1FQT)	ENGINE PROTECTION (SHUTDOWN)	0	0
S X4BA1X	COOLANT WARM HOLD TEMP (KBS)	COOLANT WARM HOLD TEMP ENABLED	0	0
S 94AA1X	FAULT CODE DISPLAY FILTER	FAULT CODE DISPLAY FILTER	0	0
S 0RAD1X	DPF REGENERATION CONTROLS	DPF REGEN CONTROL, AUTO REGEN IN MOTION, MANUAL PARKED REGEN, MANUAL INHIBIT	0	0
S EXXGSX	PTO MAX ENGINE SET SPEED (AND)	PTO ENGINE MAXIMUM 700 RPM	0	0
S EYXGSX	PTO RESUME ENGINE SET SPEED (ANE)	PTO ENGINE RESUME 700 RPM	0	0

## FRONT AXLE

S 370403	FRONT AXLE PACKAGE	VOLVO VF14 14,600 LB FRONT SPRINGS	0	0	✓
S 70BC1X	BRAKE REGULATION	BRAKE REGULATION, STOPPING DISTANCE 250 FT (76M)	0	0	
S 782002	FRONT BRAKE PACKAGE	FRONT BRAKE BENDIX SPICER, CAST S-CAM, STANDARD LUBE	0	0	
S U5XB1X	FRONT BRAKE DIMENSION	16.5X6 FRONT BRAKE SIZE	15	0	
S U3XA1X	BRAKE DRUM, FRONT AXLE	CAST IRON FRONT BRAKE DRUM OUTBOARD MOUNTED	0	0	
S LQXAIX	FRONT BRAKE LINING MATERIAL	BRAKE LINING MATERIAL FRONT, BENDIX SPICER BX380	0	0	



S UDXA1X	FRONT AXLE BRAKE DUST SHIELD	FRONT BRAKE DUST SHIELDS	0	0
S 0KXI5X	HUBS, FRONT AXLE	IRON PRESET PLUS FRONT AXLE HUB WITH INTEGRATED SPINDLE NUT	0	0
S ZGXE1X	FRONT OIL SEAL CAP	STEMCO VISIBLE CAP WITH DRAIN	0	0
S 7VXB1X	FRONT AXLE LUBRICANT	SYNTHETIC FRONT AXLE LUBRICANT	0	0
S XAXBFX	POWER STEERING GEAR	TRW THP60 INTEGRAL POWER STEERING GEAR	0	0
S 371071	FRONT SUSPENSION PACKAGE	PARABOLIC LEAF FRONT SUSPENSION	0	0
S IRXA1X	SPRING MAINTENANCE TYPE	LUBRICATED SPRING PINS AND BUSHINGS	0	0

### REAR AXLE

O 330536	REAR AXLE PACKAGE	MERITOR RT40-160 40,000 LB CAPACITY	0	397	✓
O TAXGWX	REAR AXLE RATIO	4.10 REAR AXLE RATIO	0	0	
O TUXA1X	DIFFERENTIAL LOCK	FULL LOCKING WHEEL DIFFERENTIAL	0	63	✓
O 350430	REAR SUSPENSION PACKAGE	40,000 LB HENDRICKSON HAULMAX 54" SPACING	0	-367	✓
S YVXA1X	REAR SHOCK ABSORBER	REAR SHOCK ABSORBERS	0	0	
S 783002	REAR BRAKE PACKAGE	REAR BRAKE BENDIX SPICER, CAST S-CAM, STANDARD LUBE	0	0	
S U8XA1X	DRIVE AXLE BRAKE DIMENSION	16.5X7 REAR BRAKE SIZE	0	0	
S U4XA1X	BRAKE DRUM, DRIVE AXLE	CAST IRON DRIVE AXLE BRAKE DRUM OUTBOARD MOUNTED	0	0	
S UEXA1X	DRIVE AXLE BRAKE DUST SHIELD	REAR BRAKE DUST SHIELDS	0	0	
A MAXAEX	DRIVE AXLE BRAKE LINING MATERIAL	BRAKE LINING MATERIAL DRIVE, BENDIX SPICER ES-420	0	0	
S 0LXI5X	HUBS, DRIVE AXLE	IRON PRESET PLUS DRIVE AXLE HUB WITH INTEGRATED SPINDLE NUT	0	0	
S 7WXADX	REAR AXLE LUBRICANT	CHEVRON DELO GEAR LUBRICANT ESI SAE 80W-90 (APPROVED FOR MERITOR EXTENDED COMPONENT WARRANTY ONLY)	0	0	
S 781056	PARKING BRAKE CHAMBER PACKAGE	FOUR CAM TYPE HALDEX	0	0	
S V1AB1X	REAR BRAKE CHAMBER SIZE	REAR BRAKE CHAMBER 30 / 30 SQ INCHES (SERVICE / EMERGENCY)	0	0	
S UKXA1X	CHAMBER STROKE LENGTH, DRIVE AXLE	BASIC LENGTH BRAKE CHAMBER STROKE	0	0	
S 784009	FRONT AND REAR SLACK ADJUSTERS	HALDEX BRAKE ADJUSTER FRONT AND REAR	0	0	



S 05BD1X	FRONT BRAKE CHAMBER SIZE	FRONT BRAKE CHAMBER 24 SQUARE INCHES (SERVICE)	0	0
----------	--------------------------	--	---	---

## CHASSIS

S 3XB3AX	DRIVER SIDE FRONT CHASSIS CONFIGURATION	LEFT HAND BATTERY BOX - 3 CAPACITY, DEF TANK MOUNTED BEHIND BATTERY BOX (VHDF)	0	0
S 3YBDAX	PASSENGER SIDE FRONT CHASSIS CONFIGURATION	FRAME MOUNTED SCR (VNM/VNL/VHD)	0	0
S 400185	WHEELBASE	185" WHEELBASE	0	0
S 402055	OVERHANG	55" OVERHANG	0	0
S KBXB1X	FUEL TANK SHAPE - DIESEL	26" DIA CYLINDRICAL FUEL TANK	0	0
S J8XB1X	FUEL TANK, LEFT HAND SIDE - DIESEL	75 GALLON LEFT HAND FUEL TANK	0	0
S J9XK1X	FUEL TANK, RIGHT HAND SIDE - DIESEL	NO RIGHT HAND DIESEL TANK PROVIDED	0	0
S KEXA1X	FUEL TANK MATERIAL - DIESEL	ALUMINUM FUEL TANK MATERIAL	0	0
S HBXB1X	FUEL TANK POSITION	FUEL TANK POSITION 1	0	0
S 8NAA1X	DPF COVER	DPF COVER, PAINTED STEEL	0	0
S U6BA1X	DIESEL EXHAUST FLUID TANK COVER	PAINTED DIESEL EXHAUST FLUID TANK COVER	0	0
S JHXA1X	FUEL LINES	NYLON FUEL LINES	0	0
S KHXA1X	FUEL TANK STRAPS	PAINTED STEEL FUEL TANK STRAPS	0	0
S KFXA1X	FUEL TANK CAP / DEF TANK CAP	NON-LOCKING FUEL TANK CAP	0	0
S 8HAA1X	AIR TANK ARRANGEMENT	AIR TANK ARRANGEMENT, BASIC	0	0
S U2XB1X	AIR TANKS	STEEL AIR TANKS	0	0
S VHXD7X	AIR DRYER	MERITOR WABCO AIR DRYER, 1200UP WITHOUT TURBO CUT OFF VALVE, WITH HEATER AND COALESCING OIL FILTER	0	0
S UWXB1X	AIR TANK DRAIN VALVE	MANUAL PULL CORD ON BRAKE SYSTEM TANKS	0	0
S 403005	FRAME RAIL PACKAGE	11.81"X3.54"X.31" STRAIGHT STEEL RAILS	0	0
S X4X99X	FRONT FRAME EXTENSION	NO FRONT FRAME EXTENSION PROVIDED	0	0
S 8EXB1X	INTERMEDIATE CROSSMEMBER MATERIAL	STEEL CROSSMEMBER MATERIAL	0	0
S OAXA1X	INTERMEDIATE CROSSMEMBER CONFIGURATION	BASIC INTERMEDIATE CROSSMEMBER	0	0
S X8XB1X	FORWARD REAR SUSP CROSSMEMBER MATERIAL	STEEL CROSSMEMBER MATERIAL	0	0
S ZIXA1X	BOGIE CROSSMEMBER MATERIAL	STEEL CROSSMEMBER MATERIAL	0	0



S X6XB1X	REAR FRAME TREATMENT	TAPERED REAR CROSSMEMBER, 27 DEGREE	0	0
S 4DXE3X	FRONT BUMPER	STEEL CONSTRUCTION BUMPER-THREE PIECE	0	0
S FRXA1X	BUMPER POSITION	BUMPER MOUNTED STANDARD POSITION	0	0
S 65XB1X	FRONT FENDER EXTENSION	NO FRONT FENDER EXTENSION PROVIDED	0	0
S 4EXB1X	FRONT TOWING DEVICE	TWO FRONT TOWING DEVICES	0	0
S Q8CB1X	MAIN CHASSIS WIRING HARNESS COVERING	BASIC MAIN CHASSIS WIRING HARNESS COVERING	0	0
S U7CFCX	LH FUEL TANK FACE LOCATION	LH FUEL TANK FRONT FACE @ XM=4325	0	0

### TRANSPORT ADAPTATION

O 7KXB5X	BACK OF CAB (BOC) ACCESS PACKAGE	LEFT HAND BACK OF CAB ACCESS WITH 40" LOW PROFILE DECK	17	28
O 490231	FIFTH WHEEL PACKAGE	SAF HOLLAND FW35 AIR SLIDE LEFT HAND RELEASE	-4	-37
O 488490	FIFTH WHEEL HEIGHT	49.0" FIFTH WHEEL HEIGHT	0	0
A 6JXAAX	SLIDING FIFTH WHEEL TRAVEL	36.0 INCHES OF FIFTH WHEEL TRAVEL	0	46
S 6BX54X	FIFTH WHEEL REARMOST LOCATION	27" BEHIND FWD AXLE CENTER (-685MM)	0	0
S LIXA1X	FIFTH WHEEL ANGLE MATERIAL	STEEL FIFTH WHEEL ANGLES	0	0
O 51XB1X	HOSEHANGERS	TOWEL BAR BACK OF CAB (INCLUDES STORAGE BRACKET, CAB MOUNTED)	3	1
S WHXD1X	TRAILER BRAKE CONNECTION POSITION	CAB MOUNTED TRAILER BRAKE CONNECTION	0	0
S WKX99X	HOSE TENDER POSITION	NO HOSE TENDER POSITION PROVIDED	0	0
S 52XA1X	TRAILER ELECTRICAL CABLE	FIXED TRAILER CABLE	0	0
O 5ZXA1X	TRAILER BRAKE HOSES & CABLES	15' COILED TRAILER BRAKE HOSES AND CABLE	1	0
O WLXA1X	TRAILER BRAKE HAND CONTROL	FULL PRESSURE TRAILER BRAKE HAND CONTROL	2	0
S 6WXA1X	CENTER CONSOLE FOR BODY CONTROLS	MOUNTING PLATE ONLY FOR BODY CONTROLS	0	0
S L3XA1X	BODY BUILDER ELECTRICAL PREP	ELECTRICAL PREP KIT FOR BODY BUILDER	-1	8

### CAB EXTERIOR

O 2DX30X	CAB SUSPENSION	AIR RIDE CAB SUSPENSION WITH LATERAL DAMPENERS	-11	-2
S 21XA1X	AUXILIARY REAR WINDOW	STANDARD REAR WINDOW	0	0
S D2XA1X	WIPER BLADE	BASIC WIPER BLADE	0	0



S 28XA1X	FRONT GRILLE	BLACK MOLDED FRONT GRILLE	0	0
S H6XA1X	BUG SCREEN	BUG SCREEN BEHIND GRILLE	0	0
S 0EAC1X	AIR INTAKE GRILLE FINISH	AIR INTAKE GRILLE, BLACK	0	0
S LZXD1X	AIR HORN	DUAL TRUMPET MOUNTED UNDER CAB	0	0
S 3FX51X	EXTERIOR SIDE VIEW MIRRORS	BLACK VOCATIONAL MIRRORS WITH LONG ARMS	0	0
S 4NXB1X	EXTERIOR SUNVISOR	FIBERGLASS EXTERIOR SUNVISOR WITH LED MARKER LAMPS	0	0

### **CAB INTERIOR**

---

S 540066	INTERIOR TRIM PACKAGE	CHOICE VINYL WITH ESPRESSO BROWN TRIM PACKAGE	0	0
S 35XD1X	SEAT MANUFACTURER	NATIONAL SEAT	0	0
S 3YXG8X	DRIVER SEAT TYPE	COMFORT AIR SUSPENSION HIGH BACK	0	0
S 32X57X	PASSENGER SEAT TYPE	STATIONARY TOOL BOX HIGH BACK	0	0
S 542002	DRIVER SEAT UPHOLSTERY	DRIVER SEAT ESPRESSO BROWN VINYL	0	0
S 543002	PASSENGER SEAT UPHOLSTERY	PASSENGER SEAT ESPRESSO BROWN VINYL	0	0
S K7AA1X	SAFETY BELT LENGTH	STANDARD SAFETY BELT LENGTH	0	0
O OUXC1X	SAFETY BELT DRIVER SEAT	SAFETY BELT DRIVER SEAT, ORANGE	0	0
O OXXA2X	SAFETY BELT PASSENGER SEAT	SAFETY BELT PASSENGER SEAT, ORANGE	0	0
S 4AXB1X	CLIMATE UNIT	INTEGRAL AIR CONDITIONER WITH HEATER - MANUAL CONTROLS	0	0
S 41X25X	PARKING HEATER	WITHOUT PARKING HEATER	0	0
S M5XA1X	DOG HOUSE	DOG HOUSE TWO PIECE	0	0
S 4JXD1X	STORAGE OVERHEAD DRIVER	NETTED OVERHEAD STORAGE (DRIVER/PASSENGER SIDES) WITH CB MOUNTING AND AUXILIARY SWITCHES	0	0
S 571015	GAUGE PACKAGE	EIGHT GAUGE INSTRUMENT CLUSTER WITH BASE DRIVER INFORMATION DISPLAY (DID)	0	0
S Y7CA1X	DIAGNOSTICS DISPLAY IN CLUSTER	BASIC DIAGNOSTICS DISPLAY IN CLUSTER	0	0
S PVXA2X	AIR RESTRICTION INDICATOR	GRADUATED ARI ON FILTER	0	0
S N8XD1X	SPEEDOMETER GRADUATION	MPH SPEEDOMETER GRADUATION	0	0

### **LIGHTING**

---

S NJXAAX	AUXILIARY LAMPS	SNOW PLOW LAMP PREP	0	0
S 836002	HEADLAMPS	HALOGEN HEADLAMPS	0	0



S LSXG1X	DAYTIME RUNNING LAMPS	EQUIPPED WITH DAYTIME RUNNING LIGHTS	0	0
S NEXH1X	STOP AND TAIL LIGHTS	DUAL INTEGRATED SUPER 60 LED TAIL LIGHTS WITH SEPARATE LED BACKUP LIGHT - ALL LIGHTS MOUNTED IN TAPERED CROSSMEMBER	0	0
S 3BXB1X	REFLECTORS BACK OF CAB	WHITE REFLECTORS BACK OF CAB	0	0
S NPXB1X	TURN SIGNAL SWITCH	SELF CANCELLING TURN SIGNAL SWITCH	0	0
S 3XCB1X	INTERIOR ILLUMINATION TYPE	LED INTERIOR LIGHTING	0	0

### AUDIO SYSTEM

O 590011	RADIO PACKAGE	AM / FM STEREO / MP3 RADIO	0	0
S 73AJ1X	RADIO ANTENNA	SINGLE RH 48 INCH MIRROR MTD RADIO ANTENNA	0	0
O LYXA1X	STEERING WHEEL CONTROLS	MARKER AND HEADLAMP INTERRUPTER CONTROLS IN STEERING WHEEL	0	0
S 5CXA1X	RADIO SPEAKERS	SPEAKERS IN DASH ONLY	0	0
S 5JXB1X	CB RADIO MOUNTING	OVERHEAD MOUNTED CB HOLD DOWN	0	0
S 5BXB5X	CB ANTENNA	SINGLE LEFT HAND 48 INCH MIRROR MOUNTED CB ANTENNA	0	0

### MISC CAB EQUIPMENT

S 2XX20X	WINDOW LIFT	MANUAL WINDOW LIFT	0	0
S 3AXB1X	DOOR LOCKS CAB	MANUAL CAB DOOR LOCKS	0	0
S 20XA1X	KEY TYPE	BASIC UNIQUE KEY	0	0
S 8BXB1X	KEY QUANTITY PER UNIT	4 KEYS PROVIDED PER UNIT	0	0
S OIXA1X	HOOD CATCH CONTROL	HOOD CATCH CONTROL INTERIOR	0	0
O N1XB5X	ELECTRICAL DASH OUTLET	TWO 12 VOLT DASH OUTLETS	0	0
O 40XL2X	FIRE EXTINGUISHER	5 POUND ABC DRY TYPE, RECHARGEABLE, MOUNTED IN CAB	5	2
O 4VX31X	AUXILIARY SAFETY EQUIPMENT	TRIANGLE REFLECTOR KIT	3	1

### TIRES AND WHEELS FRONT

O 093760	TIRE PACKAGE FRONT	11R22.5H GOODYEAR G731 MSA (13220 LBS. GAWR) MULTI USAGE	-56	0
O 4WCE1X	TIRE CLASSIFICATION FRONT	GHG FRONT TIRE CLASSIFICATION, BASIC	0	0
O 084487	RIM/WHEEL PACKAGE FRONT	22.5X8.25 MAXION STEEL POWDER COAT WHITE 286BC 5 HAND HOLES HUB PILOTTED	-48	0
S 907002	FRONT WHEEL AND TIRE QUANTITY	TWO FRONT WHEELS AND TIRES	0	0





### TIRES AND WHEELS REAR

O 094762	TIRE PACKAGE REAR	11R22.5H GOODYEAR G751 MSA (24020 LBS. GAWR) MULTI USAGE	0	104
S 4XCE1X	TIRE CLASSIFICATION REAR	GHG REAR TIRE CLASSIFICATION, BASIC	0	0
S 085487	RIM/WHEEL PACKAGE REAR	22.5X8.25 MAXION STEEL POWDER COAT WHITE 286BC 5 HAND HOLES HUB PILOTED	0	0
S 908008	DRIVE WHEEL AND TIRE QUANTITY	EIGHT DRIVE WHEELS AND TIRES	0	0

### MISC TIRE EQUIPMENT

S 15XABX	TIRE INFLATION VALVE	TIRE INFLATION VALVE, STANDARD	0	0
----------	----------------------	--------------------------------	---	---

### PAINT

S 950800	CAB PAINT SCHEME	SINGLE COLOR PAINT	0	0
S 9801T4	FIRST CAB COLOR	GLACIER WHITE P3029	0	0
S 955040	CAB PAINT TYPE	BC/CC-SOLID	0	0
S 9861U1	CHASSIS COLOR	BLACK P3036	0	0
S 987950	BUMPER COLOR	SAME AS FIRST CAB COLOR	0	0
S 988401	DISC WHEEL OR RIM COLOR	STEEL DISC WHEELS-PREPAINTED WHITE, POWDER-COAT, ALUMINUM OR STYLIZED DISC-UNPAINTED	0	0
S 989949	SPOKE WHEEL / HUB COLOR	SPOKE WHL/HUB SAME AS CHASSIS-AL UNPTD	0	0

### BUSINESS SERVICES

S 9LAA1X	PRE-DELIVERY INSPECTION	PRE-DELIVERY INSPECTION, BASIC	0	0
----------	-------------------------	--------------------------------	---	---

### BASE WARRANTY AND PURCHASED COVERAGES

S 899302	WARRANTY TYPE	HEAVY_DUTY_STANDARD_BASE_COVERAGE 12_MONTHS/100,000_MILES	0	0
S 896900	VOLVO D11/D13 ENGINE EXTENDED COVERAGE	VOLVO D11/D13 BASE ENGINE COVERAGE - 24MTHS/250K MILES OR 6250 HRS	0	0
S 875001	VEHICLE EMISSIONS COMPONENTS COVERAGE	US & CANADA VOLVO ENGINE EQUIPPED VEHICLE EMISSIONS COMPONENTS COVERAGE_60 MONTHS/100K_MILES	0	0
O 880009	TRANSMISSION COVERAGE	EATON FULLER STANDARD DUTY WARRANTY FOR ALL MANUAL AND AUTOMATED TRANSMISSIONS, ANY TORQUES, 36 MTHS/UNLIMITED MILES	0	0



S 888900	<b>ADDITIONAL EXTENDED CHASSIS TOWING COVERAGE</b>	BASE CHASSIS TOWING COVERAGE, 90 DAY/5000 MILE/8050 KILOMETER	0	0
S 874900	<b>ADDITIONAL EXTENDED ENGINE TOWING COVERAGE</b>	BASE VOLVO ENGINE TOWING COVERAGE, 24 MO/250K MILE	0	0
S 866001	<b>REMOTE DIAGNOSTICS BUNDLE</b>	REMOTE DIAGNOSTICS: INCLUDES ASIST AND VOLVO ACTION SERVICE - 24 MONTHS	0	0
S 867001	<b>UPTIME CENTER BUNDLE</b>	ASIST AND VOLVO ACTION SERVICE - 24 MONTHS	0	0

**SUB TOTALS**

---

BASE WEIGHT	8,939	7,706
FACTORY OPTION WEIGHT	369	257
DEALER OPTION WEIGHT	0	0

**TOTALS**

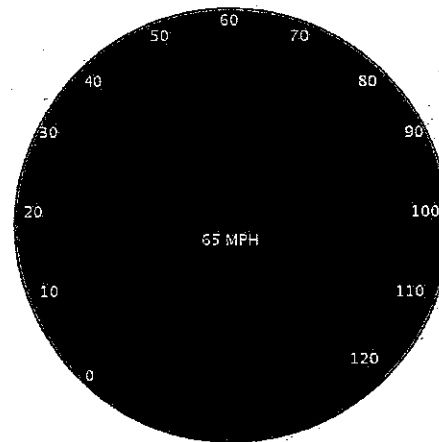
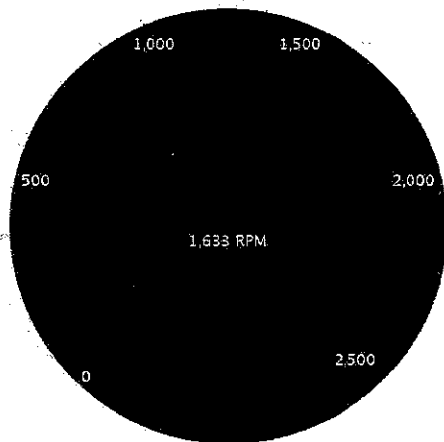
---

TOTAL WEIGHT(LB)	9,308	7,963	17,271
------------------	-------	-------	--------

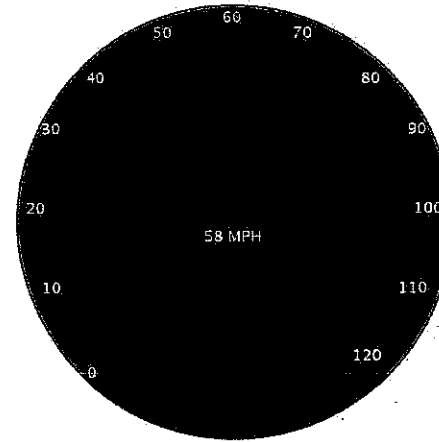
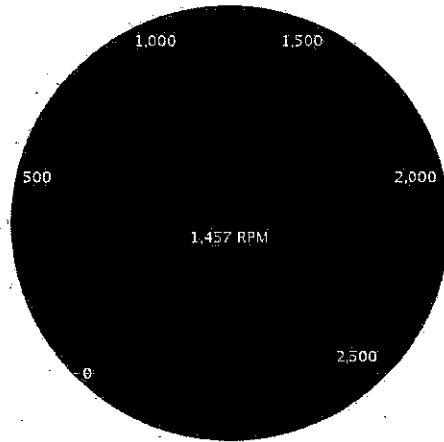


# Top Speed

## RPM at 65 MPH



## RPM at Cruise Speed



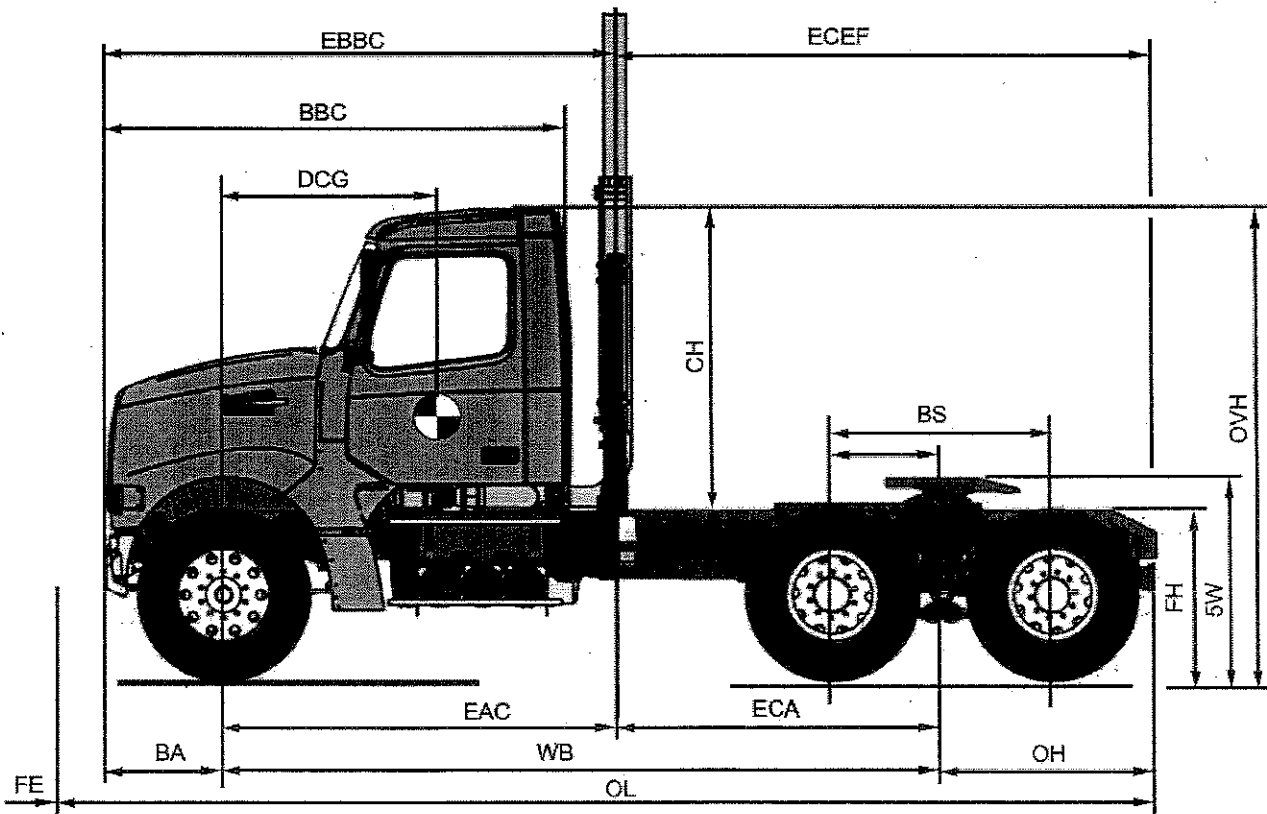
	MPH	RPM
Minimum Of Engine Range	39.8	1000
Minimum Of Economy Range	47.7	1200
Cruise Speed	58.0	1457
Maximum Of Economy Range	59.7	1500
Road Speed Limit	65.0	1633
Maximum Of Engine Range	83.6	2100



SUB-CATEGORY	SALES CODE	SALES CODE DESCRIPTION	(LBS)	
Front Axle	370403	VOLVO VF14 14,600 LB FRONT SPRINGS	14600	
Front Suspension	371071	PARABOLIC LEAF FRONT SUSPENSION	14600	
Front Tires	093760	11R22.5H GOODYEAR G731 MSA (13220 LBS. GAWR) MULTI USAGE	13220	at 120 PSI
Front Wheels	084487	22.5X8.25 MAXION STEEL POWDER COAT WHITE 286BC 5 HAND HOLES HUB PILOTTED	14800	at 120 PSI
FRONT GAWR (LBS)			13220	
Rear Axle	330536	MERITOR RT40-160 40,000 LB CAPACITY	40000	
Rear Suspension	350430	40,000 LB HENDRICKSON HAULMAAX 54" SPACING	40000	
Rear Tires	094762	11R22.5H GOODYEAR G751 MSA (24020 LBS. GAWR) MULTI USAGE	48040	at 120 PSI
Rear Wheels	085487	22.5X8.25 MAXION STEEL POWDER COAT WHITE 286BC 5 HAND HOLES HUB PILOTTED	59200	at 120 PSI
REAR GAWR (LBS)			40000	
TRACTOR GVWR (LBS)			53220	
<p>Actual GVWR may differ than GVWR value shown based on factory brake ratings and/or lift axles. Please verify that all Federal Bridge and/or State regulations for lift-axle equipped vehicles have been taken into consideration when final vehicle certification is provided by body builder.</p>				

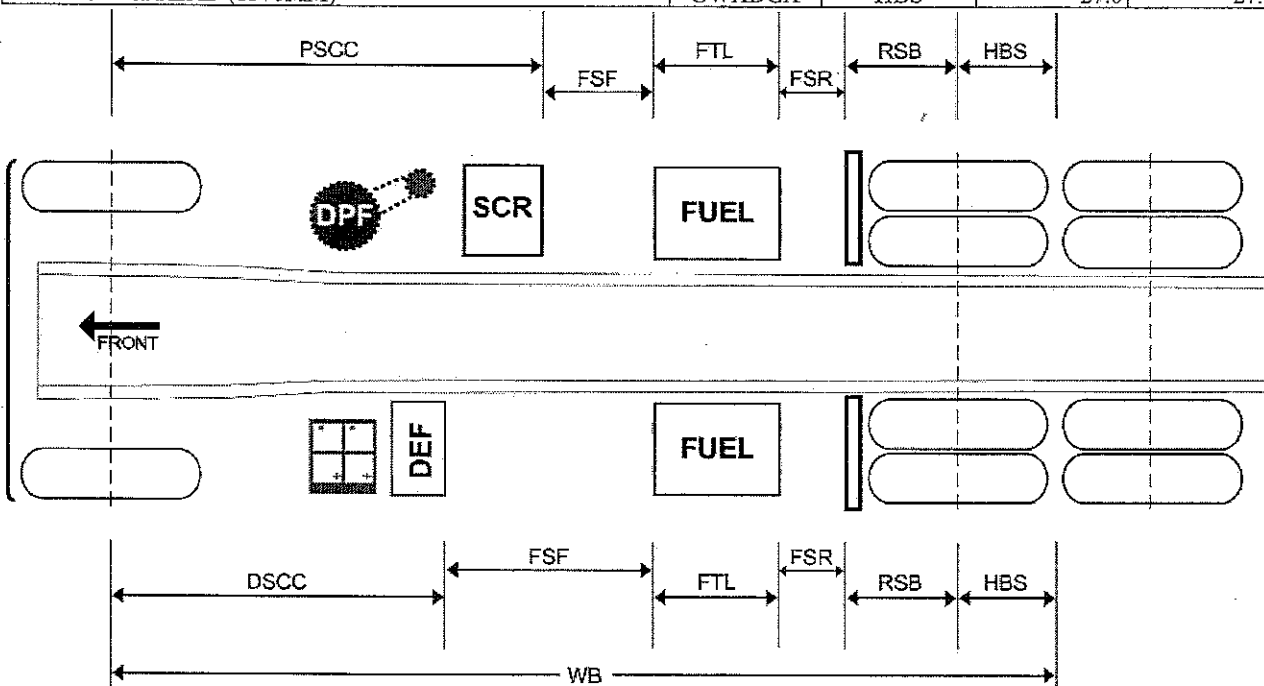


DIMENSIONS		
DESCRIPTION	DWG REF	LENGTH (in)
Front Frame Extension(in)	FE	0.0
Bumper to Front Axle(in)	BA	29.1
Wheelbase(in)	WB	185.0
Overhang(in)	OH	55.0
Overall Length(in)	OL	269.1
Bumper to Back of Cab(in)	BBC	113.6
Eff. Bumper to Back of Cab(in)	EBBC	121.6
Eff. Cab to Rear Axle(in)	ECA	92.5
Eff. Front Axle to Back of Cab(in)	EAC	92.5
Eff. Cab to End of Frame(in)	ECEF	147.5
Unladen 5th Wheel Height(in)	5W	49.0
Unladen Frame Height(in)	FH	42.8
Cab Height(in)	CH	74.3
Overall Height(in)	OVH	117.1
Driver CG(in)	DCG	64.5
Bogie Spread(in)	BS	54.0





DIMENSIONS - TOP VIEW				
DESCRIPTION	SALES CODE	DWG REF	DRIVER SIDE (in)	PASSENGER SIDE (in)
185" WHEELBASE	400185	WB	185.0	185.0
LEFT HAND BATTERY BOX - 3 CAPACITY, DEF TANK MOUNTED BEHIND BATTERY BOX (VHDF)	3XB3AX	DSCC	75.0	0.0
FRAME MOUNTED SCR (VNM/VNL/VHD)	3YBDAX	PSCC	0.0	108.7
FRAME SPACE, FRONT OF FUEL TANK	N/A	FSF	1.6	0.0
75 GALLON LEFT HAND FUEL TANK	J8XB1X	FTL	36.0	0.0
NO RIGHT HAND DIESEL TANK PROVIDED	J9XK1X	FTL	0.0	0.0
FRAME SPACE, REAR OF FUEL TANK	N/A	FSR	17.4	21.3
40,000 LB HENDRICKSON HAULMAAX 54" SPACING	350430	RSB	28.0	28.0
54" BOGIE SPREAD (1370MM)	GWXDGX	HBS	27.0	27.0





# SAN ANTONIO BRAKE & CLUTCH

902 AVENUE B  
SAN ANTONIO, TX 78215

Telephone:(210) 226-0254  
Fax:(210) 226-2043

## QUOTATION

**Texas Fleet Supply**  
Laredo (956) 723-2231

\*

**Lone Star Brake**  
Austin (512) 385-4262

S  
O  
L  
D  
  
T  
O

G675  
GRANDE FORD TRUCK SALES INC  
PO BOX 201210  
SAN ANTONIO, TX 78220-8210

S  
H  
I  
P  
  
T  
O  
G675  
GRANDE FORD TRUCK SALES INC  
PO BOX 201210  
SAN ANTONIO, TX 78220-8210

Order Ref. No. W1*784621	Ctr.No. 1	Time 10:43am	Veh. No.	QUOTATION ORDER	Page 1	Invoice No.
-----------------------------	--------------	-----------------	----------	-----------------	-----------	-------------

Customer P.O. No.	SNO 503	Terms NET 10TH	Invoice Date 12-01-15	Shipped Via WILL CALL
-------------------	------------	-------------------	--------------------------	--------------------------

Line	Ord	Ship	B/O	Part Number	Description	List Price	Unit Price	Extended Price
------	-----	------	-----	-------------	-------------	------------	------------	----------------

\*\*\*\* QUOTATION \*\*\*\*\* QUOTATION \*\*\*\*\* QUOTATION \*\*\*\*\* QUOTATION \*\*\*\*  
 PARTS AND LABOR TO INSTALL WETKIT, FENDERS, STROBE LIGHTS  
 FOR ENDDUMP APP. HOTSHIFT PTO  
 3000 RDS TRANS

1	1	0	MUN	KIT7-3LT	HOT SHIFT AIR SHIFT P	2,505.50	2103.00	2,103.00	
1	1	0	MUN	S070U2AAGXY	TANK 70 GAL STEEL UPR	1,396.42	698.21	698.21	
1	1	0	MUN	HKU1-18-14	18FT-14FT HYD. HOSE K	574.64	287.32	287.32	
1	1	0	LIF	G400-105	GALV FULL TANDEM FEND	740.84	341.76	341.76	
1	1	0	LIF	K4362UG	BRACKET MOUNTING KIT	644.52	297.33	297.33	
1	1	0	MIS	715	COUPLER	11.50	8.85	8.85	
20	20	0	GAT	H30000-06	6NABTAXLREEL	1.16	0.58	11.60	
1	1	0	GAT	G32100-0608	6ABC-8MP	12.24	6.12	6.12	
0	1	1	0	GAT	G32100-0604	6ABC-4MP	5.26	2.63	2.63
1	1	1	0	VEL	035081	1/4' FRAME COUPLING	9.22	4.61	4.61
2	1	1	0	BPR	B40006	HYD COUPLER SET 1"QUI	172.40	86.20	86.20
3	35	35	0	TEC	7-214	2/14 GA WIRE 100' JA	1.30	1.00	35.00
DO NOT CUT									
4	1	1	0	MUN	33T36299	FUSE ASSEMBLY	8.48	4.24	4.24
5	2	2	0	ECC	3715A	LED FLASHER, 12V AMBE	150.54	72.92	145.84

-- CONTINUED ON PAGE 2 --

### OFFICE COPY

PARTS SOLD HEREIN ARE WARRANTED ONLY TO THE EXTENT OF THE WARRANTY FURNISHED BY THE MANUFACTURER OF SUCH PARTS. ITEMS RETURNED MUST BE IN NEW CONDITION, ORIGINAL BOX, AND ACCOMPANIED BY THE PURCHASE INVOICE. THERE WILL BE NO RETURNS OR REFUNDS ALLOWED ON THE FOLLOWING: 1) PARTS RETURNED AFTER 30 DAYS, 2) ANY ELECTRICAL EQUIPMENT OR PARTS, 3) BROKEN OR PARTIAL KITS AND GASKET SETS, 4) TOOLS THAT HAVE BEEN USED, 5) SPECIAL ORDER ITEMS, OR 6) PARTS NOT IN THEIR ORIGINAL PACKAGE. 1-1/2% CHARGE ON INVOICES 30 DAYS PAST DUE (18% ANNUALLY). CORE RETURNS MUST BE IDENTICAL TO UNIT PURCHASED, ASSEMBLED AND DRAINED OF ALL LUBRICANT. CORES MUST BE RETURNED IN THE ORIGINAL BOX WITHIN 30 DAYS FROM THE DATE OF PURCHASE.



# SAN ANTONIO BRAKE & CLUTCH

902 AVENUE B  
SAN ANTONIO, TX 78215

Telephone:(210) 226-0254  
Fax:(210) 226-2043

# QUOTATION

**Texas Fleet Supply**  
Laredo (956) 723-2231

\*

**Lone Star Brake**  
Austin (512) 385-4262

S O L D T O  
G675  
GRANDE FORD TRUCK SALES INC  
PO BOX 201210  
SAN ANTONIO, TX 78220-8210

S H I P T O  
G675  
GRANDE FORD TRUCK SALES INC  
PO BOX 201210  
SAN ANTONIO, TX 78220-8210

Order Ref. No. W1*784621	Ctrl.No. 1	Time 10:43am	Veh. No.	QUOTATION ORDER	Page 2	Invoice No.
Customer P.O. No.	SNO 503	Terms NET 10TH	Invoice Date 12-01-15	Shipped Via WILL CALL		

Line	Ord	Ship	B/O	Part Number	Description	List Price	Unit Price	Extended Price
**** QUOTATION ***** QUOTATION ***** QUOTATION ***** QUOTATION ***								
6.	70	70	0	OIL HYDAW46	BULK HYDRAULIC OIL	17.66	9.25	647.50
7.	1	1	0	BPR HBV125	BALL VALVE , BRASS 1-	72.80	36.40	36.40
8.	1	1	0	MIS FITTING	FITTINGS	30.00	25.00	25.00
9.	10	10	0	LAB GHR	GARAGE LABOR RATE	160.00	80.00	800.00

SHOP SUPPLIES

15.00

Parts: 4,741.61  
 Labor: 800.00  
 Miscellaneous: 15.00  
 -----  
 Invoice Total: \$5,556.61

SIGN NAME

PRINT NAME

FOR RECEIPT OF MERCHANDISE

EFFECTIVE 11/07/2011 NO RETURNS AFTER 90 DAYS

\*\*\*\*\*

\$5,556.61



## OFFICE COPY

PARTS SOLD HEREIN ARE WARRANTED ONLY TO THE EXTENT OF THE WARRANTY FURNISHED BY THE MANUFACTURER OF SUCH PARTS. ITEMS RETURNED MUST BE IN NEW CONDITION, ORIGINAL BOX, AND ACCOMPANIED BY THE PURCHASE INVOICE. THERE WILL BE NO RETURNS OR REFUNDS ALLOWED ON THE FOLLOWING: 1) PARTS RETURNED AFTER 30 DAYS, 2) ANY ELECTRICAL EQUIPMENT OR PARTS, 3) BROKEN OR PARTIAL KITS AND GASKET SETS, 4) TOOLS THAT HAVE BEEN USED, 5) SPECIAL ORDER ITEMS, OR 6) PARTS NOT IN THEIR ORIGINAL PACKAGE. 1-1/2% CHARGE ON INVOICES 30 DAYS PAST DUE (18% ANNUALLY). CORE RETURNS MUST BE IDENTICAL TO UNIT PURCHASED, ASSEMBLED AND DRAINED OF ALL LUBRICANT. CORES MUST BE RETURNED IN THE ORIGINAL BOX WITHIN 30 DAYS FROM THE DATE OF PURCHASE.



## Rocky Shoffstall

---

**From:** Function.SalesReview@volvo.com  
**Sent:** Monday, November 30, 2015 4:05 PM  
**To:** Rocky Shoffstall; travis.phillips@volvo.com; sree.gorripaty@consultant.volvo.com  
**Subject:** RSA #198199 Has Been Approved. Please Review.

RSA #198199 has been Approved. Here are the details:

TYPE: PRIMARY  
DEALER CODE: 5737D  
DEALER NAME:GRANDE TRUCK CENTER  
CUSTOMER NAME: City of San Antonio  
MODEL: VHD64FT200  
QTY: 10  
ENGINE: VOLVO D13-475 HP 2100RPM 1650 LB-FT - EPA'14 EMISSION LEVEL TRANSMISSION :EATON FULLER FRO-16210C, 10 SPEED SUBMITTAL  
COMMENTS:Target Fleet REQUESTED : 38.3%  
APPROVED: 37.5%  
APPROVAL COMMENTS:Approved at 37.5% for build through Q1 2016. No sales programs or customer rebates apply.

---

You are receiving this email because you are configured as a district sales manager in CDB or a dealer sales person in CDB. Please direct questions about this email to Function.SalesReview@volvo.com. NOTE: Replies to this email will be ignored as this mailbox is not monitored.

This email and any files transmitted with it are confidential and intended solely for the use of the individual or entity to whom they are addressed. If you are not the named addressee you should not disseminate, distribute or copy this e-mail. Please notify Volvo immediately by e-mail if you have received this e-mail by mistake and delete this e-mail from your system. If you are not the intended recipient you are notified that disclosing, copying, distributing or taking any action in reliance on the contents of this information is strictly prohibited.

Prepared for:  
Fleet Manager  
City of San Antonio  
329 S Frio  
San Antonio, TX 78207  
Phone: 210-207-7000

Prepared by:  
ROCKY SHOFFSTALL  
GRANDE TRUCK CENTER  
4562 IH 10 EAST  
SAN ANTONIO, TX 78219  
Phone: (210)-661-4121

*Iter 6  
1 Ed.*

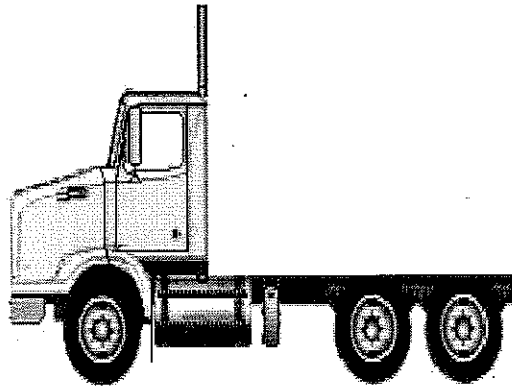
*A proposal for  
City of San Antonio*

*Prepared by  
GRANDE TRUCK CENTER  
ROCKY SHOFFSTALL*

*Low wheel  
Air Comp*

*Dec 05, 2015.*

## **Western Star 4700SB**



Components shown may not reflect all spec'd options and are not to scale

Prepared for:  
 Fleet Manager  
 City of San Antonio  
 329 S Frio  
 San Antonio, TX 78207  
 Phone: 210-207-7000

Prepared by:  
 ROCKY SHOFFSTALL  
 GRANDE TRUCK CENTER  
 4562 IH 10 EAST  
 SAN ANTONIO, TX 78219  
 Phone: (210)-661-4121

## S P E C I F I C A T I O N   P R O P O S A L

Data Code	Description	Weight Front	Weight Rear	Retail Price
<b>Price Level</b>				
PRL-14T	WESTERN STAR 4700 PRL-14T (EFF:10/05/15)			STD
<b>Data Version</b>				
DRL-007	SPECPRO21 DATA RELEASE VER 007			N/C
<b>Vehicle Configuration</b>				
001-451	4700 SET-BACK FRONT AXLE CHASSIS	9,214	6,786	\$163,965.00
004-217	2017 MODEL YEAR SPECIFIED			STD
002-004	SET BACK AXLE - TRUCK			STD
019-001	TRAILER TOWING PROVISION AT END OF FRAME FOR TRUCK	10	10	\$633.00
003-001	LH PRIMARY STEERING LOCATION			STD
<b>General Service</b>				
AA1-003	TRUCK/TRAILER CONFIGURATION			N/C
AA6-001	DOMICILED, USA 50 STATES (INCLUDING CALIFORNIA AND CARB OPT-IN STATES)			STD
A85-011	CONSTRUCTION SERVICE			STD
A84-1GM	GOVERNMENT BUSINESS SEGMENT			N/C
AA4-003	DRY BULK COMMODITY			STD
AA5-002	TERRAIN/DUTY: 100% (ALL) OF THE TIME, IN TRANSIT, IS SPENT ON PAVED ROADS			STD
AB1-008	MAXIMUM 8% EXPECTED GRADE			STD
AB5-001	SMOOTH CONCRETE OR ASPHALT PAVEMENT - MOST SEVERE IN-TRANSIT (BETWEEN SITES) ROAD SURFACE			STD
995-1A5	WESTERN STAR VOCATIONAL WARRANTY			STD
A66-99D	EXPECTED FRONT AXLE(S) LOAD : 12000.0 lbs			
A68-99D	EXPECTED REAR DRIVE AXLE(S) LOAD : 40000.0 lbs			
A63-99D	EXPECTED GROSS VEHICLE WEIGHT CAPACITY : 52000.0 lbs			
A70-99D	EXPECTED GROSS COMBINATION WEIGHT : 80000.0 lbs			



Prepared for:  
 Fleet Manager  
 City of San Antonio  
 329 S Frio  
 San Antonio, TX 78207  
 Phone: 210-207-7000

Prepared by:  
 ROCKY SHOFFSTALL  
 GRANDE TRUCK CENTER  
 4562 IH 10 EAST  
 SAN ANTONIO, TX 78219  
 Phone: (210)-661-4121

Data Code	Description	Weight Front	Weight Rear	Retail Price
<b>Truck Service</b>				
AA3-004	END DUMP BODY			STD
<b>Tractor Service</b>				
AA2-005	FLATBED TRAILER			N/C
AH6-001	SINGLE (1) TRAILER			N/C
<b>Engine</b>				
101-2XM	CUM ISL 350 HP @ 2000 RPM, 2200 GOV RPM, 1000 LB/FT @ 1400 RPM	✓ -850	-70	(\$11,858.00)
<b>Electronic Parameters</b>				
79A-065	65 MPH ROAD SPEED LIMIT	✓		N/C
79B-000	CRUISE CONTROL SPEED LIMIT SAME AS ROAD SPEED LIMIT			N/C
79K-007	PTO MODE ENGINE RPM LIMIT - 1100 RPM			N/C
79P-002	PTO RPM WITH CRUISE SET SWITCH - 700 RPM			N/C
79Q-003	PTO RPM WITH CRUISE RESUME SWITCH - 800 RPM			N/C
79S-001	PTO MODE CANCEL VEHICLE SPEED - 5 MPH			N/C
79U-007	PTO GOVERNOR RAMP RATE - 250 RPM PER SECOND			N/C
80G-002	PTO MINIMUM RPM - 700			N/C
80J-002	REGEN INHIBIT SPEED THRESHOLD - 5 MPH			N/C
<b>Engine Equipment</b>				
99C-016	2016 ONBOARD DIAGNOSTICS/2010 EPA/CARB/GHG14			N/C
99D-011	2008 CARB EMISSION CERTIFICATION - CLEAN IDLE (INCLUDES 6X4 INCH LABEL ON LOWER FORWARD CORNER OF DRIVER DOOR)			\$106.00
PMT-998	NO 2013 ENGINE ESCALATOR			STD
13E-001	STANDARD OIL PAN			STD
105-001	ENGINE MOUNTED OIL CHECK AND FILL			STD
133-004	ONE PIECE VALVE COVER			STD
014-099	SIDE OF HOOD AIR INTAKE WITH FIREWALL MOUNTED DONALDSON AIR CLEANER			STD
124-1D7	DR 12V 160 AMP 28-SI QUADRAMOUNT PAD ALTERNATOR WITH REMOTE BATTERY VOLT SENSE	✓		STD
292-148	(3) ALLIANCE ABSORBED GLASS MAT MODEL 7A31, GROUP 31, 12 VOLT MAINTENANCE FREE 2190 CCA THREADED STUD BATTERIES	✓		STD
290-1AC	PASSENGER SEAT BATTERY BOX VENTED TO OUTSIDE OF CAB			STD



Prepared for:  
 Fleet Manager  
 City of San Antonio  
 329 S Frio  
 San Antonio, TX 78207  
 Phone: 210-207-7000

Prepared by:  
 ROCKY SHOFFSTALL  
 GRANDE TRUCK CENTER  
 4562 IH 10 EAST  
 SAN ANTONIO, TX 78219  
 Phone: (210)-661-4121

Data Code	Description	Weight Front	Weight Rear	Retail Price
282-013	BATTERY BOX MOUNTED UNDER PASSENGER SEAT			STD
291-017	WIRE GROUND RETURN FOR BATTERY CABLES WITH ADDITIONAL FRAME GROUND RETURN			STD
289-006	PLASTIC BATTERY BOX COVER			STD
107-032	CUMMINS TURBOCHARGED 18.7 CFM AIR COMPRESSOR WITH INTERNAL SAFETY VALVE			N/C
131-013	AIR COMPRESSOR DISCHARGE LINE			STD
152-041	ELECTRONIC ENGINE INTEGRAL SHUTDOWN PROTECTION SYSTEM			STD
016-1C2	RH OUTBOARD UNDER STEP MOUNTED HORIZONTAL AFTERTREATMENT SYSTEM ASSEMBLY WITH RH B-PILLAR MOUNTED VERTICAL TAILPIPE			STD
28F-002	ENGINE AFTERTREATMENT DEVICE, AUTOMATIC OVER THE ROAD REGENERATION AND DASH MOUNTED REGENERATION REQUEST SWITCH			STD
239-026	10 FOOT 06 INCH (126 INCH+0/-5.9 INCH) EXHAUST SYSTEM HEIGHT ✓			N/C
237-1CR	RH CURVED VERTICAL TAILPIPE B-PILLAR MOUNTED ROUTED FROM STEP ✓			STD
23U-001	6 GALLON DIESEL EXHAUST FLUID TANK			STD
30N-003	100 PERCENT DIESEL EXHAUST FLUID FILL			STD
23Y-001	STANDARD DIESEL EXHAUST FLUID PUMP MOUNTING			STD
43X-002	LH MEDIUM DUTY STANDARD DIESEL EXHAUST FLUID TANK LOCATION			STD
242-001	STAINLESS STEEL AFTERTREATMENT DEVICE/MUFFLER/TAILOPIPE SHIELD			STD
273-018	HORTON DRIVEMASTER ON/OFF FAN DRIVE			N/C
276-001	AUTOMATIC FAN CONTROL WITHOUT DASH SWITCH, NON ENGINE MOUNTED			STD
110-003	CUMMINS SPIN ON FUEL FILTER			N/C
118-008	COMBINATION FULL FLOW/BYPASS OIL FILTER			N/C
266-017	1300 SQUARE INCH ALUMINUM RADIATOR	-20		N/C
267-006	MOUNTING FOR FIREWALL MOUNTED SURGE TANK			STD
103-039	ANTIFREEZE TO -34F, OAT (NITRITE AND SILICATE FREE) EXTENDED LIFE COOLANT			(\$10.00)
171-007	GATES BLUE STRIPE COOLANT HOSES OR EQUIVALENT			STD
172-001	CONSTANT TENSION HOSE CLAMPS FOR COOLANT HOSES			STD



Prepared for:  
 Fleet Manager  
 City of San Antonio  
 329 S Frio  
 San Antonio, TX 78207  
 Phone: 210-207-7000

Prepared by:  
 ROCKY SHOFFSTALL  
 GRANDE TRUCK CENTER  
 4562 IH 10 EAST  
 SAN ANTONIO, TX 78219  
 Phone: (210)-661-4121

Data Code	Description	Weight Front	Weight Rear	Retail Price
270-016	RADIATOR DRAIN VALVE			N/C
138-998	NO BLOCK HEATER			(\$68.00)
166-005	PHILLIPS-TEMRO 300 WATT/115 VOLT OIL PREHEATER			STD
140-022	CHROME ENGINE HEATER RECEPTACLE MOUNTED UNDER LH DOOR			STD
134-001	ALUMINUM FLYWHEEL HOUSING			STD
132-004	ELECTRIC GRID AIR INTAKE WARMER			N/C
155-058	DELCO 12V 38MT HD STARTER WITH INTEGRATED MAGNETIC SWITCH	-10		N/C
<b>Transmission</b>				
342-582	ALLISON 3000 RDS AUTOMATIC TRANSMISSION WITH PTO PROVISION	-110	-35	\$7,966.00
<b>Transmission Equipment</b>				
343-339	ALLISON VOCATIONAL PACKAGE 223 - AVAILABLE ON 3000/4000 PRODUCT FAMILIES WITH VOCATIONAL MODELS RDS, HS, MH AND TRV			N/C
84B-012	ALLISON VOCATIONAL RATING FOR ON/OFF HIGHWAY APPLICATIONS AVAILABLE WITH ALL PRODUCT FAMILIES			N/C
84C-023	PRIMARY MODE GEARS, LOWEST GEAR 1, START GEAR 1, HIGHEST GEAR 6, AVAILABLE FOR 3000/4000 PRODUCT FAMILIES ONLY			N/C
84D-023	SECONDARY MODE GEARS, LOWEST GEAR 1, START GEAR 1, HIGHEST GEAR 6, AVAILABLE FOR 3000/4000 PRODUCT FAMILIES ONLY			N/C
341-018	MAGNETIC PLUGS, ENGINE DRAIN, TRANSMISSION DRAIN, AXLE(S) FILL AND DRAIN			N/C
345-003	PUSH BUTTON ELECTRONIC SHIFT CONTROL, DASH MOUNTED			N/C
97G-004	TRANSMISSION PROGNOSTICS - ENABLED 2013			N/C
370-015	WATER TO OIL TRANSMISSION COOLER, IN RADIATOR END TANK			STD
346-003	TRANSMISSION OIL CHECK AND FILL WITH ELECTRONIC OIL LEVEL CHECK			N/C
35T-001	SYNTHETIC TRANSMISSION FLUID (TES-295 COMPLIANT)			N/C
<b>Front Axle and Equipment</b>				
400-1A6	DETROIT DA-F-12.0-3 12,000# FF1 71.5 KPI/3.74 DROP SINGLE FRONT AXLE	-190		(\$1,492.00)



Prepared for:  
 Fleet Manager  
 City of San Antonio  
 329 S Frio  
 San Antonio, TX 78207  
 Phone: 210-207-7000

Prepared by:  
 ROCKY SHOFFSTALL  
 GRANDE TRUCK CENTER  
 4562 IH 10 EAST  
 SAN ANTONIO, TX 78219  
 Phone: (210)-661-4121

Data Code	Description	Weight Front	Weight Rear	Retail Price
402-021	MERITOR 15X5 Q+ CAST SPIDER CAM FRONT BRAKES, DOUBLE ANCHOR, FABRICATED SHOES	-10		\$140.00
403-002	NON-ASBESTOS FRONT BRAKE LINING			STD
419-023	CONMET CAST IRON FRONT BRAKE DRUMS			STD
409-021	SKF SCOTSEAL PLUS XL FRONT OIL SEALS			STD
408-001	VENTED FRONT HUB CAPS WITH WINDOW, CENTER AND SIDE PLUGS - OIL			STD
416-022	STANDARD SPINDLE NUTS FOR ALL AXLES			STD
405-003	HALDEX AUTOMATIC FRONT SLACK ADJUSTERS			STD
406-001	STANDARD KING PIN BUSHINGS			STD
536-050	TRW THP-60 POWER STEERING	-40		N/C
539-003	POWER STEERING PUMP			STD
534-003	4 QUART POWER STEERING RESERVOIR	5		\$51.00
40T-003	SYNTHETIC 50W FRONT AXLE LUBE			STD
<b>Front Suspension</b>				
620-1F0	12,000# DUAL TAPERLEAF FRONT SUSPENSION	✓ -188		(\$165.00)
619-005	MAINTENANCE FREE RUBBER BUSHINGS - FRONT SUSPENSION			N/C
410-001	FRONT SHOCK ABSORBERS			N/C
<b>Rear Axle and Equipment</b>				
420-1K3	MT-40-14X 40,000# R-SERIES TANDEM REAR AXLE	✓		STD
421-586	5.86 REAR AXLE RATIO			N/C
424-003	IRON REAR AXLE CARRIER WITH OPTIONAL HEAVY DUTY AXLE HOUSING			STD
386-074	MXL 176T MERITOR EXTENDED LUBE MAIN DRIVELINE WITH HALF ROUND YOKES	-25	-25	(\$97.00)
388-073	MXL 17T MERITOR EXTENDED LUBE INTERAXLE DRIVELINE WITH HALF ROUND YOKES			STD
878-019	(1) INTERAXLE LOCK VALVE FOR TANDEM OR TRIDEM DRIVE AXLES			STD
87A-005	INDICATOR LIGHT FOR EACH INTERAXLE LOCKOUT SWITCH			STD
423-020	MERITOR 16.5X7 Q+ CAST SPIDER CAM REAR BRAKES, DOUBLE ANCHOR, FABRICATED SHOES			STD
433-002	NON-ASBESTOS REAR BRAKE LINING			STD
434-003	STANDARD BRAKE CHAMBER LOCATION			N/C
451-023	CONMET CAST IRON REAR BRAKE DRUMS			STD
440-021	SKF SCOTSEAL PLUS XL REAR OIL SEALS			STD



Prepared for:  
 Fleet Manager  
 City of San Antonio  
 329 S Frio  
 San Antonio, TX 78207  
 Phone: 210-207-7000

Prepared by:  
 ROCKY SHOFFSTALL  
 GRANDE TRUCK CENTER  
 4562 IH 10 EAST  
 SAN ANTONIO, TX 78219  
 Phone: (210)-661-4121

Data Code	Description	Weight Front	Weight Rear	Retail Price
426-075	HALDEX GOLDSEAL LONGSTROKE 2-DRIVE AXLES SPRING PARKING CHAMBERS			STD
428-003	HALDEX AUTOMATIC REAR SLACK ADJUSTERS			STD
41T-002	SYNTHETIC 75W-90 REAR AXLE LUBE			STD
<b>Rear Suspension</b>				
622-1E8	HENDRICKSON HAULMAAX REAR SUSPENSION @ 40,000#	✓	70	\$154.00
621-1AP	HENDRICKSON HAULMAAX/ULTIMAAX - 10.50" RIDE HEIGHT			N/C
624-009	54 INCH AXLE SPACING			STD
628-010	HENDRICKSON HN, HAULMAAX AND ULTIMAAX SERIES STEEL BEAMS WITH BAR PIN			N/C
623-006	FORE/AFT AND TRANSVERSE CONTROL RODS			STD
<b>Brake System</b>				
490-100	WABCO 4S/4M ABS WITHOUT TRACTION CONTROL			STD
871-001	REINFORCED NYLON, FABRIC BRAID AND WIRE BRAID CHASSIS AIR LINES			STD
904-001	FIBER BRAID PARKING BRAKE HOSE			STD
412-001	STANDARD BRAKE SYSTEM VALVES			STD
432-003	RELAY VALVE WITH 5-8 PSI CRACK PRESSURE, NO REAR PROPORTIONING VALVE			STD
480-083	WABCO SS-1200 PLUS AIR DRYER WITH INTEGRAL AIR GOVERNOR AND HEATER	✓		STD
483-004	WABCO OIL COALESCING FILTER FOR AIR DRYER			STD
479-015	AIR DRYER FRAME MOUNTED			STD
460-001	STEEL AIR BRAKE RESERVOIRS			STD
477-006	BW DV-2 AUTO DRAIN VALVE WITHOUT HEATER ON ALL TANK(S)	✓		\$84.00
<b>Trailer Connections</b>				
914-001	AIR CONNECTIONS TO END OF FRAME WITH GLAD HANDS FOR TRUCK AND NO DUST COVERS	✓		N/C
296-010	PRIMARY CONNECTOR/RECEPTACLE WIRED FOR SEPARATE STOP/TURN, ABS CENTER PIN POWERED THROUGH IGNITION			N/C
297-001	SAE J560 7-WAY PRIMARY TRAILER CABLE RECEPTACLE MOUNTED END OF FRAME			N/C
<b>Wheelbase &amp; Frame</b>				
545-432	4325MM (170 INCH) WHEELBASE			STD





Prepared for:  
 Fleet Manager  
 City of San Antonio  
 329 S Frio  
 San Antonio, TX 78207  
 Phone: 210-207-7000

Prepared by:  
 ROCKY SHOFFSTALL  
 GRANDE TRUCK CENTER  
 4562 IH 10 EAST  
 SAN ANTONIO, TX 78219  
 Phone: (210)-661-4121

Data Code	Description	Weight Front	Weight Rear	Retail Price
546-102	7/16X3-9/16X11-1/8 INCH STEEL FRAME (11.11MMX282.6MM/0.437X11.13 INCH) 120KSI	80	150	\$518.00
552-030	1600MM (63 INCH) REAR FRAME OVERHANG			STD
55W-006	FRAME OVERHANG RANGE: 61 INCH TO 70 INCH			N/C
AC8-99D	CALC'D BACK OF CAB TO REAR SUSP C/L (CA) : 106.69 in			
AE8-99D	CALCULATED EFFECTIVE BACK OF CAB TO REAR SUSPENSION C/L (CA) : 103.69 in			
AE4-99D	CALC'D FRAME LENGTH - OVERALL : 263.12			
AM6-99D	CALC'D SPACE AVAILABLE FOR DECKPLATE : 106.69 in			
FSS-0LH	CALCULATED FRAME SPACE LH SIDE : 38.75 in			N/C
FSS-0RH	CALCULATED FRAME SPACE RH SIDE : 49.52 in			N/C
553-001	SQUARE END OF FRAME			STD
559-001	STANDARD WEIGHT ENGINE CROSSMEMBER			STD
562-001	STANDARD MIDSHIP #1 CROSSMEMBER(S)			STD
572-001	STANDARD REARMOST CROSSMEMBER			STD
565-001	STANDARD SUSPENSION CROSSMEMBER			N/C
568-001	STANDARD WEIGHT REAR SUSPENSION CROSSMEMBER			STD
<b>Chassis Equipment</b>				
556-1E5	14 INCH PAINTED STEEL BUMPER			STD
574-001	BUMPER MOUNTING FOR SINGLE LICENSE PLATE			STD
586-015	FRONT ANTI-SPRAY CAB MOUNTED MUDFLAPS			STD
551-007	GRADE 8 THREADED HEX HEADED FRAME FASTENERS			STD
<b>Fuel Tanks</b>				
204-154	80 GALLON/302 LITER ALUMINUM FUEL TANK - LH	10		\$58.00
218-006	25 INCH DIAMETER FUEL TANK(S)			STD
215-005	PLAIN ALUMINUM/PAINTED STEEL FUEL/HYDRAULIC TANK(S) WITH PAINTED BANDS			STD
212-007	FUEL TANK(S) FORWARD			STD
664-001	PLAIN STEP FINISH			STD
205-001	FUEL TANK CAP(S)			STD
122-075	ALLIANCE FUEL FILTER/WATER SEPARATOR	15		N/C
216-020	EQUIFLO INBOARD FUEL SYSTEM			STD



Prepared for:  
 Fleet Manager  
 City of San Antonio  
 329 S Frio  
 San Antonio, TX 78207  
 Phone: 210-207-7000

Prepared by:  
 ROCKY SHOFFSTALL  
 GRANDE TRUCK CENTER  
 4562 IH 10 EAST  
 SAN ANTONIO, TX 78219  
 Phone: (210)-661-4121

Data Code	Description	Weight Front	Weight Rear	Retail Price
202-016	HIGH TEMPERATURE REINFORCED NYLON FUEL LINE			STD
221-001	FUEL COOLER			STD
<b>Tires</b>				
093-2FY	BRIDGESTONE ECOPIA R283 11R22.5 14 PLY RADIAL FRONT TIRES ✓	12		(\$112.00)
094-0UP	BRIDGESTONE M726EL 11R22.5 14 PLY RADIAL REAR TIRES ✓		160	\$184.00
<b>Hubs</b>				
418-056	CONMET PRESET PLUS IRON FRONT HUBS			STD
450-056	CONMET PRESET PLUS IRON REAR HUBS			STD
<b>Wheels</b>				
502-428	ACCURIDE 28828 22.5X8.25 10-HUB PILOT 6.18 INSET 2-HAND HD STEEL DISC FRONT WHEELS ✓	26		(\$194.00)
505-428	ACCURIDE 28828 22.5X8.25 10-HUB PILOT 2-HAND HD STEEL DISC REAR WHEELS ✓		104	STD
496-011	FRONT WHEEL MOUNTING NUTS			STD
497-011	REAR WHEEL MOUNTING NUTS			STD
<b>Cab Exterior</b>				
829-1A8	110 INCH BBC STEEL CONVENTIONAL CAB			STD
82A-023	WESTERN STAR PAINTED ALUMINUM CAB SKIRT			STD
650-044	AIR CAB MOUNTS WITH CHECK VALVE			STD
648-002	NONREMOVABLE BUGSCREEN MOUNTED BEHIND GRILLE			STD
667-001	FRONT FENDERS			STD
678-034	LH AND RH EXTERIOR GRAB HANDLES WITH RUBBER INSERTS AND RH INTERIOR GRAB HANDLE MOUNTED TO A POST			STD
646-008	STATIONARY BRIGHT FINISH GRILLE			STD
65X-003	CHROME HOOD MOUNTED AIR INTAKE GRILLE			STD
640-008	GALVANEALD STEEL SEVERE SERVICE CAB			STD
644-004	FIBERGLASS HOOD			STD
727-019	SINGLE HADLEY SD-978 26 INCH RECTANGULAR AIR HORN ✓		-4	(\$115.00)
726-001	SINGLE ELECTRIC HORN			STD
728-001	SINGLE HORN SHIELD			N/C
657-1AG	DOORS AND IGNITION KEYED THE SAME			STD
575-001	REAR LICENSE PLATE MOUNT END OF FRAME			STD



Prepared for:  
 Fleet Manager  
 City of San Antonio  
 329 S Frio  
 San Antonio, TX 78207  
 Phone: 210-207-7000

Prepared by:  
 ROCKY SHOFFSTALL  
 GRANDE TRUCK CENTER  
 4562 IH 10 EAST  
 SAN ANTONIO, TX 78219  
 Phone: (210)-661-4121

Data Code	Description	Weight Front	Weight Rear	Retail Price
312-072	SINGLE RECTANGULAR SEALED BEAM HEADLIGHTS WITH BRIGHT BEZELS			STD
302-001	(5) AMBER MARKER LIGHTS			STD
294-001	INTEGRAL STOP/TAIL/BACKUP LIGHTS			STD
300-015	STANDARD FRONT TURN SIGNAL LAMPS			STD
744-1E0	DUAL WEST COAST STAINLESS STEEL HEATED MIRRORS WITH LH AND RH REMOTE			\$413.00
797-001	DOOR MOUNTED MIRRORS			STD
796-001	102 INCH EQUIPMENT WIDTH			STD
743-1AC	LH AND RH 8 INCH STAINLESS STEEL CONVEX MIRRORS MOUNTED BELOW PRIMARY MIRRORS			STD
74A-001	RH DOWN VIEW MIRROR			STD
729-001	STANDARD SIDE/REAR REFLECTORS			STD
768-046	17.5X35 INCH TINTED REAR WINDOW			STD
661-006	TINTED DOOR GLASS			STD
654-003	MANUAL DOOR WINDOW REGULATORS			STD
663-002	2-PIECE TINTED CURVED GASKET MOUNTED WINDSHIELD			STD
659-025	2 GALLON WINDSHIELD WASHER RESERVOIR WITHOUT FLUID LEVEL INDICATOR, MOUNTED UNDER CAB, WITH REMOTE FILL			STD

**Cab Interior**

707-1D0	GRAY VINYL BASE INTERIOR			STD
70K-005	BLACK HARD TRIM			STD
706-049	BASE LEFT HAND DOOR TRIM			STD
708-049	BASE RIGHT HAND DOOR TRIM			STD
772-006	BLACK MATS WITH SINGLE INSULATION			STD
785-007	DASH MOUNTED ASH TRAY AND LIGHTER, DRIVER SIDE			STD
691-001	FORWARD ROOF MOUNTED CONSOLE			STD
694-009	PASSENGER SIDE WING DASH MOUNTED GLOVE BOX WITH LOCKING DOOR			STD
693-025	LH AND RH DOOR MAP POCKETS			STD
741-029	COAT HOOK ON RH BACKWALL OF CAB			STD
680-034	TWO-TONE CHARCOAL UPPER/COOL GRAY LOWER SOFT TOUCH WING DASH WITH BLACK DRIVER SIDE COSMETIC UNDER DASH COVER			STD
320-004	STANDARD WIRING			STD
720-003	5 LB. FIRE EXTINGUISHER	10		\$65.00
700-015	HEATER, DEFROSTER AND AIR CONDITIONER WITH COSMETIC COVER			STD



Prepared for:  
 Fleet Manager  
 City of San Antonio  
 329 S Frio  
 San Antonio, TX 78207  
 Phone: 210-207-7000

Prepared by:  
 ROCKY SHOFFSTALL  
 GRANDE TRUCK CENTER  
 4562 IH 10 EAST  
 SAN ANTONIO, TX 78219  
 Phone: (210)-661-4121

Data Code	Description	Weight Front	Weight Rear	Retail Price
701-010	HVAC DUCTING WITH FOAM MAIN FRESH AIR FILTER AND OUTSIDE PRE-FILTER			STD
703-005	MAIN HVAC CONTROLS WITH RECIRCULATION SWITCH			STD
170-015	STANDARD HEATER PLUMBING			STD
130-033	DENSO HEAVY DUTY AIR CONDITIONER COMPRESSOR			STD
698-001	RADIATOR MOUNTED AIR CONDITIONER CONDENSER			STD
702-002	BINARY CONTROL, R-134A			STD
739-001	CAB INSULATION			STD
285-003	CIRCUIT FUSES			STD
324-075	DOOR ACTIVATED DOME LIGHT, UNDER DASH LIGHT AND LH AND RH DOOR MOUNTED COURTESY LIGHTS			STD
655-001	CAB DOOR LATCHES WITH MANUAL DOOR LOCKS			STD
284-023	(1) 12 VOLT POWER SUPPLY IN DASH ✓			\$90.00
722-028	TRIANGULAR REFLECTORS KIT WITHOUT FLARES SHIPPED LOOSE IN CAB		10	\$28.00
756-1DD	BASIC HIGH BACK AIR SUSPENSION DRIVER SEAT WITH 1 CHAMBER AIR LUMBAR, INTEGRATED CUSHION EXTENSION AND REAR CUSHION TILT ✓			STD
760-294	BATTERY BOX MID BACK NON SUSPENSION PASSENGER SEAT ✓			STD
758-022	BLACK MORDURA CLOTH DRIVER SEAT COVER			STD
761-023	BLACK MORDURA CLOTH PASSENGER SEAT COVER			STD
763-003	3 POINT DRIVER AND PASSENGER SEAT BELT RETRACTORS			STD
532-002	ADJUSTABLE TILT AND TELESCOPING STEERING COLUMN ✓			STD
540-005	2-SPOKE 20 INCH (500MM) BLACK STEERING WHEEL			STD
765-002	DRIVER AND PASSENGER INTERIOR SUN VISORS			STD

**Instruments & Controls**

185-002	Non-adjustable suspended pedals			STD
870-004	STAR GAUGES WITH BLACK BEZELS			STD
732-001	BLACK DRIVER INSTRUMENT PANEL			STD
734-001	BLACK CENTER INSTRUMENT PANEL			STD
486-001	LOW AIR PRESSURE INDICATOR LIGHT AND AUDIBLE ALARM			STD



Prepared for:  
 Fleet Manager  
 City of San Antonio  
 329 S Frio  
 San Antonio, TX 78207  
 Phone: 210-207-7000

Prepared by:  
 ROCKY SHOFFSTALL  
 GRANDE TRUCK CENTER  
 4562 IH 10 EAST  
 SAN ANTONIO, TX 78219  
 Phone: (210)-661-4121

Data Code	Description	Weight Front	Weight Rear	Retail Price
840-002	2 INCH PRIMARY AND SECONDARY AIR PRESSURE GAUGES			STD
198-002	INTAKE MOUNTED AIR RESTRICTION INDICATOR WITH GRADUATIONS			STD
721-001	97 DB BACKUP ALARM		3	\$82.00
149-012	CRUISE CONTROL SWITCHES IN THE CENTER PANEL			STD
156-007	KEY OPERATED IGNITION SWITCH AND INTEGRAL START POSITION; 4 POSITION OFF/RUN/START/ACCESSORY			STD
811-001	WARNING LAMP/LIGHT BAR DISPLAY, NON-DATA LINKED			STD
160-038	HEAVY DUTY ONBOARD DIAGNOSTICS INTERFACE CONNECTOR LOCATED BELOW LH DASH			STD
844-001	2 INCH ELECTRIC FUEL GAUGE			STD
148-003	PROGRAMMABLE RPM CONTROL - ELECTRONIC ENGINE			STD
856-001	ELECTRICAL ENGINE COOLANT TEMPERATURE GAUGE			STD
864-001	2 INCH TRANSMISSION OIL TEMPERATURE GAUGE			STD
852-002	ELECTRIC ENGINE OIL PRESSURE GAUGE			STD
746-1A9	AM/FM RADIO WITH FRONT AND REAR AUXILIARY INPUTS AND J1939	10		\$236.00
747-002	ROOF/OVERHEAD CONSOLE MOUNTED RADIO			N/C
750-004	(4) RADIO SPEAKERS IN CAB			N/C
753-019	AM/FM ANTENNA MOUNTED ON RH FRONT A-PILLAR	2		\$29.00
748-026	POWER AND GROUND WIRING FOR CB RADIO IN OVERHEAD CONSOLE			STD
752-017	MULTI-BAND AM/FM/WB/CB LH MIRROR MOUNTED ANTENNA SYSTEM			STD
810-042	ELECTRONIC MPH SPEEDOMETER WITH SECONDARY KPH SCALE, WITH ODOMETER			STD
817-001	STANDARD VEHICLE SPEED SENSOR			STD
812-003	ELECTRONIC 3000 RPM TACHOMETER WITH HOUR METER			\$35.00
813-998	NO VEHICLE PERFORMANCE MONITOR			(\$998.00)
162-002	IGNITION SWITCH CONTROLLED ENGINE STOP			STD
329-068	FOUR IGNITION CONTROLLED EXTRA SWITCHES WITH INDICATOR LIGHT, 20 AMPS, WIRED BEHIND PASSENGER SEAT			\$232.00
482-001	BW TRACTOR PROTECTION VALVE			N/C



Prepared for:  
 Fleet Manager  
 City of San Antonio  
 329 S Frio  
 San Antonio, TX 78207  
 Phone: 210-207-7000

Prepared by:  
 ROCKY SHOFFSTALL  
 GRANDE TRUCK CENTER  
 4562 IH 10 EAST  
 SAN ANTONIO, TX 78219  
 Phone: (210)-661-4121

Data Code	Description	Weight Front	Weight Rear	Retail Price
883-001	TRAILER HAND CONTROL BRAKE VALVE			N/C
836-001	2 INCH VOLTMETER			STD
660-008	SINGLE ELECTRIC WINDSHIELD WIPER MOTOR WITH DELAY			STD
304-015	CAB/TRAILER MARKER LIGHT SWITCH WITH SEPARATE HEADLIGHT SWITCH			STD
882-004	TWO VALVE PARKING BRAKE SYSTEM WITH WARNING INDICATOR			N/C
299-032	VSM NON CANCELING TURN SIGNAL SWITCH WITH INTEGRAL HEADLAMP DIMMER WITHOUT BRAKE OVERRIDE			STD
298-036	PACIFIC INSIGHT ELECTRONIC FLASHER			STD

**Design**

065-000	PAINT: ONE SOLID COLOR			STD
---------	------------------------	--	--	-----

**Color**

980-5F6	CAB COLOR A: L0006EB WHITE ELITE BC			STD
96J-001	CAB INTERIOR PAINTED SAME AS CAB COLOR			STD
986-020	BLACK, HIGH SOLIDS POLYURETHANE CHASSIS PAINT			STD
962-972	POWDER WHITE (N0006EA) FRONT WHEELS/RIMS (PKWHT21, TKWHT21, W, TW)			STD
966-972	POWDER WHITE (N0006EA) REAR WHEELS/RIMS (PKWHT21, TKWHT21, W, TW)			STD
964-993	BUMPER PAINTED SAME AS CHASSIS			STD

**Certification / Compliance**

996-001	U.S. FMVSS CERTIFICATION, EXCEPT SALES CABS AND GLIDER KITS			STD
---------	---	--	--	-----

**Sales Programs**

NO SALES PROGRAMS HAVE BEEN SELECTED

**TOTAL VEHICLE SUMMARY**

**Adjusted List Price**

Adjusted List Price \*\* \$159,960.00

**Weight Summary**



Prepared for:  
 Fleet Manager  
 City of San Antonio  
 329 S Frio  
 San Antonio, TX 78207  
 Phone: 210-207-7000

Prepared by:  
 ROCKY SHOFFSTALL  
 GRANDE TRUCK CENTER  
 4562 IH 10 EAST  
 SAN ANTONIO, TX 78219  
 Phone: (210)-661-4121

	Weight Front	Weight Rear	Total Weight
Factory Weight <sup>+</sup>	7957 lbs	7153 lbs	15110 lbs
<b>Total Weight<sup>+</sup></b>	<b>7957 lbs</b>	<b>7153 lbs</b>	<b>15110 lbs</b>

**ITEMS NOT INCLUDED IN ADJUSTED LIST PRICE**

**Other Factory Charges**

PMU-016	2016 OBD/2010 EPA/CARB/GHG14 ESCALATOR	\$300.00
RAL-17D	MODEL YEAR 2017 WST 4700 ESCALATOR - \$750	\$750.00
P73-2WS	STANDARD DESTINATION CHARGE	\$2,025.00

(+) Weights shown are estimates only.

If weight is critical, contact Customer Application Engineering.

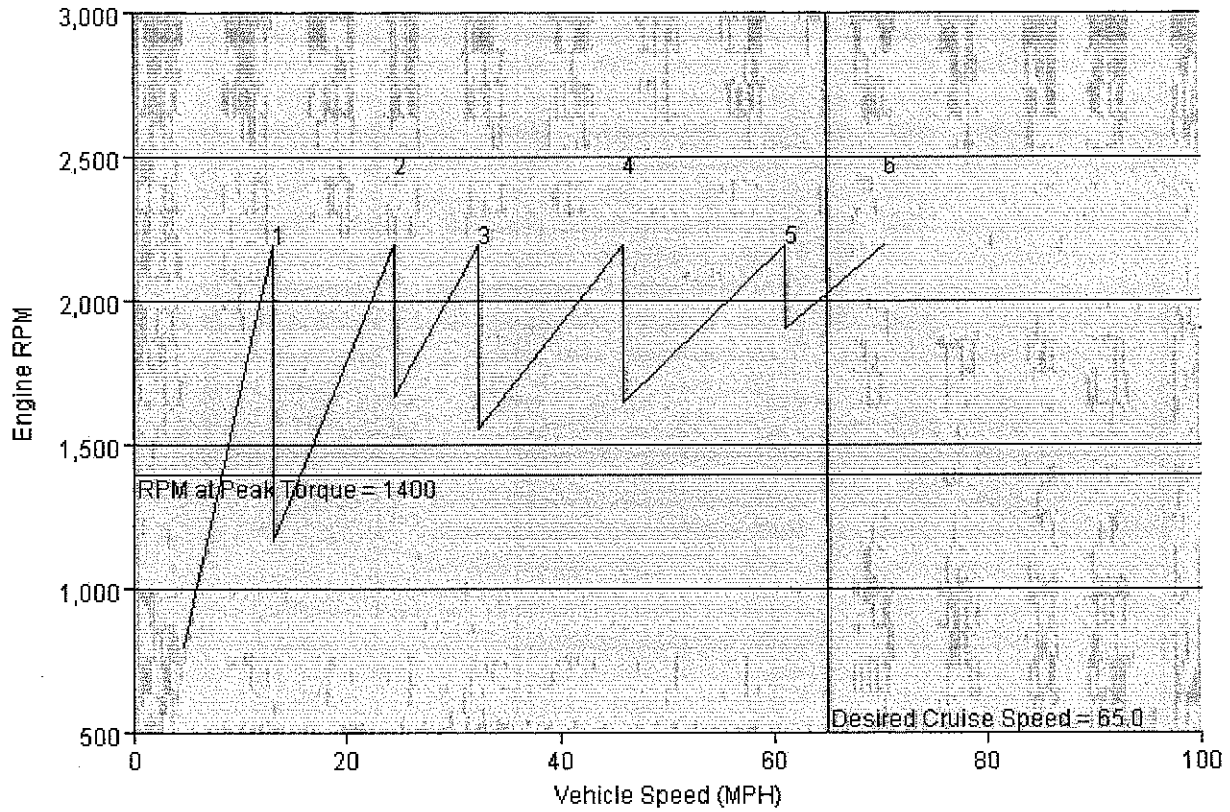
(\*\*) Prices shown do not include taxes, fees, etc... "Net Equipment Selling Price" is located on the Quotation Details Proposal Report.



Prepared for:  
 Fleet Manager  
 City of San Antonio  
 329 S Frio  
 San Antonio, TX 78207  
 Phone: 210-207-7000

Prepared by:  
 ROCKY SHOFFSTALL  
 GRANDE TRUCK CENTER  
 4562 IH 10 EAST  
 SAN ANTONIO, TX 78219  
 Phone: (210)-661-4121

## SHIFT CHART



### VEHICLE SPECIFICATIONS SUMMARY - SHIFT CHART

Model..... 4700SB  
 Cab Size (829)..... 110 INCH BBC STEEL CONVENTIONAL CAB  
 Desired Cruise Speed (mph)..... 65.0  
 Engine (101)..... CUM ISL 350 HP @ 2000 RPM, 2200 GOV RPM, 1000 LB/FT @ 1400 RPM  
 RPM at Peak Torque..... 1400





Prepared for:  
 Fleet Manager  
 City of San Antonio  
 329 S Frio  
 San Antonio, TX 78207  
 Phone: 210-207-7000

Prepared by:  
 ROCKY SHOFFSTALL  
 GRANDE TRUCK CENTER  
 4562 IH 10 EAST  
 SAN ANTONIO, TX 78219  
 Phone: (210)-661-4121

Governed RPM .....	2200
Transmission (342) .....	ALLISON 3000 RDS AUTOMATIC TRANSMISSION WITH PTO PROVISION
Gear Ratio: LL .....	N/A
Gear Ratio: L .....	N/A
Gear Ratio: 1 .....	3.49
Gear Ratio: 2 .....	1.86
Gear Ratio: 3 .....	1.41
Gear Ratio: 4 .....	1
Gear Ratio: 5 .....	0.75
Gear Ratio: 6 .....	0.65
Gear Ratio: 7 .....	N/A
Gear Ratio: 8 .....	N/A
Gear Ratio: 9 .....	N/A
Gear Ratio: 10 .....	N/A
Gear Ratio: 11 .....	N/A
Gear Ratio: 12 .....	N/A
Gear Ratio: 13 .....	N/A
Gear Ratio: 14 .....	N/A
Gear Ratio: 15 .....	N/A
Gear Ratio: 16 .....	N/A
Gear Ratio: 17 .....	N/A
Gear Ratio: 18 .....	N/A
Low Gear Ratio .....	N/A
High Gear Ratio .....	N/A
Transfer Case (373) .....	NO TRANSFER CASE
Low Gear Ratio .....	N/A
High Gear Ratio .....	N/A
Rear Axle (420) .....	MT-40-14X 40,000# R-SERIES TANDEM REAR AXLE
Number of Speeds .....	1
Rear Axle Gear Ratio(s) .....	5.86 REAR AXLE RATIO
Rear Tires (094) .....	BRIDGESTONE M726EL 11R22.5 14 PLY RADIAL REAR TIRES
Revolutions per Mile .....	492

**TABLE SUMMARY - SHIFT CHART**



Prepared for:  
 Fleet Manager  
 City of San Antonio  
 329 S Frio  
 San Antonio, TX 78207  
 Phone: 210-207-7000

Prepared by:  
 ROCKY SHOFFSTALL  
 GRANDE TRUCK CENTER  
 4562 IH 10 EAST  
 SAN ANTONIO, TX 78219  
 Phone: (210)-661-4121

Transmission Gear	Transmission Gear Ratio	Rear Axle Ratio	Overall Gear Ratio	Percent Split	RPM After Shift	MPH at Peak Torque RPM	MPH at Governed
1	3.49	5.86	20.45	N/A	800	8.3	13.1
2	1.86	5.86	10.90	87.6	1172	15.7	24.6
3	1.41	5.86	8.26	31.9	1668	20.7	32.5
4	1.00	5.86	5.86	41.0	1560	29.1	45.8
5	0.75	5.86	4.40	33.3	1650	38.8	61.0
6	0.65	5.86	3.81	15.4	1907	44.8	70.4

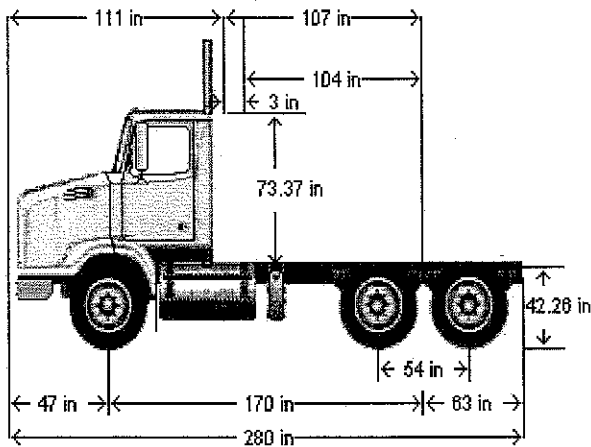
Performance calculations are estimates only. If performance calculations are critical, please contact Customer Application Engineering.



Prepared for:  
 Fleet Manager  
 City of San Antonio  
 329 S Frio  
 San Antonio, TX 78207  
 Phone: 210-207-7000

Prepared by:  
 ROCKY SHOFFSTALL  
 GRANDE TRUCK CENTER  
 4562 IH 10 EAST  
 SAN ANTONIO, TX 78219  
 Phone: (210)-661-4121

## DIMENSIONS



### VEHICLE SPECIFICATIONS SUMMARY - DIMENSIONS

Model.....	4700SB
Wheelbase (545) .....	4325MM (170 INCH) WHEELBASE
Rear Frame Overhang (552) .....	1600MM (63 INCH) REAR FRAME OVERHANG
Fifth Wheel (578) .....	NO FIFTH WHEEL
Mounting Location (577).....	NO FIFTH WHEEL LOCATION
Maximum Forward Position (in) .....	0
Maximum Rearward Position (in) .....	0
Amount of Slide Travel (in) .....	0
Slide Increment (in) .....	0
Desired Slide Position (in) .....	0.0
Cab Size (829) .....	110 INCH BBC STEEL CONVENTIONAL CAB
Sleeper (682) .....	NO SLEEPER BOX/SLEEPERCAB
Exhaust System (016).....	RH OUTBOARD UNDER STEP MOUNTED HORIZONTAL AFTERTREATMENT SYSTEM ASSEMBLY WITH RH B-PILLAR MOUNTED VERTICAL TAILPIPE

### TABLE SUMMARY - DIMENSIONS

Prepared for:  
 Fleet Manager  
 City of San Antonio  
 329 S Frio  
 San Antonio, TX 78207  
 Phone: 210-207-7000

Prepared by:  
 ROCKY SHOFFSTALL  
 GRANDE TRUCK CENTER  
 4562 IH 10 EAST  
 SAN ANTONIO, TX 78219  
 Phone: (210)-661-4121

Dimensions	Inches
Bumper to Back of Cab (BBC)	110.7
Bumper to Centerline of Front Axle (BA)	47.4
Min. Cab to Body Clearance (CB)	3.0
Back of Cab to Centerline of Rear Axle(s) (CA)	106.7
Effective Back of Cab to Centerline of Rear Axle(s) (Effective CA)	103.7
Back of Cab Protrusions (Exhaust/Intake) (CP)	2.0
Back of Cab Protrusions (Side Extenders/Tnm Tab) (CP)	0.0
Back of Cab Protrusions (CNG Tank)	0.0
Back of Cab Clearance (CL)	3.0
Back of Cab to End of Frame	169.7
Cab Height (CH)	73.4
Wheelbase (WB)	170.0
Frame Overhang (OH)	63.0
Overall Length (OAL)	280.4
Rear Axle Spacing	54.0
Unladen Frame Height at Centerline of Rear Axle	42.3

Performance calculations are estimates only. If performance calculations are critical, please contact Customer Application Engineering.

Prepared for:  
 Fleet Manager  
 City of San Antonio  
 329 S Frio  
 San Antonio, TX 78207  
 Phone: 210-207-7000

Prepared by:  
 ROCKY SHOFFSTALL  
 GRANDE TRUCK CENTER  
 4562 IH 10 EAST  
 SAN ANTONIO, TX 78219  
 Phone: (210)-661-4121

**G V W R**

**VEHICLE SPECIFICATIONS SUMMARY - GVWR**

Model..... 4700SB  
 Cab Size (829)..... 110 INCH BBC STEEL CONVENTIONAL CAB  
 Expected Front Axle(s) Load (lbs)..... 12000.0  
 Expected Pusher Axle(s) Load (lbs)..... 0.0  
 Expected Rear Axle(s) Load (lbs)..... 40000.0  
 Expected Tag Axle(s) Load (lbs)..... 0.0  
 Expected GVW (lbs)..... 52000  
 Expected GCW (lbs)..... 80000.0  
 Front Axle (400)..... DETROIT DA-F-12.0-3 12,000# FF1 71.5 KPI/3.74 DROP SINGLE FRONT AXLE  
 Front Suspension (620)..... 12,000# DUAL TAPERLEAF FRONT SUSPENSION  
 Front Hubs (418)..... CONMET PRESET PLUS IRON FRONT HUBS  
 Front Disc Wheels (502)..... ACCURIDE 28828 22.5X8.25 10-HUB PILOT 6.18 INSET 2-HAND HD STEEL DISC FRONT WHEELS  
 Front Tires (093)..... BRIDGESTONE ECOPIA R283 11R22.5 14 PLY RADIAL FRONT TIRES  
 Front Brakes (402)..... MERITOR 15X5 Q+ CAST SPIDER CAM FRONT BRAKES, DOUBLE ANCHOR, FABRICATED SHOES  
 Steering Gear (536)..... TRW THP-60 POWER STEERING  
 Rear Axle (420)..... MT-40-14X 40,000# R-SERIES TANDEM REAR AXLE  
 Rear Suspension (622)..... HENDRICKSON HAULMAAX REAR SUSPENSION @ 40,000#  
 Rear Hubs (450)..... CONMET PRESET PLUS IRON REAR HUBS  
 Rear Disc Wheels (505)..... ACCURIDE 28828 22.5X8.25 10-HUB PILOT 2-HAND HD STEEL DISC REAR WHEELS  
 Rear Tires (094)..... BRIDGESTONE M726EL 11R22.5 14 PLY RADIAL REAR TIRES  
 Rear Brakes (423)..... MERITOR 16.5X7 Q+ CAST SPIDER CAM REAR BRAKES, DOUBLE ANCHOR, FABRICATED SHOES  
 Pusher / Tag Axle (443)..... NO PUSHER OR TAG AXLE  
 Pusher / Tag Suspension (626)..... NO PUSHER OR TAG SUSPENSION  
 Pusher / Tag Hubs (449)..... NO PUSHER OR TAG HUBS  
 Pusher/Tag Disc Wheels (509)..... NO PUSHER/TAG DISC WHEELS  
 Pusher / Tag Tires (095)..... NO PUSHER/TAG TIRES  
 Pusher / Tag Brakes (456)..... NO PUSHER/TAG BRAKES

**TABLE SUMMARY - GVWR**



Prepared for:  
 Fleet Manager  
 City of San Antonio  
 329 S Frio  
 San Antonio, TX 78207  
 Phone: 210-207-7000

Prepared by:  
 ROCKY SHOFFSTALL  
 GRANDE TRUCK CENTER  
 4562 IH 10 EAST  
 SAN ANTONIO, TX 78219  
 Phone: (210)-661-4121

	Front	Rear 1	Rear 2
<b>Axle Component Weight Ratings</b>			
Axles	12000	20000	20000
Suspension	12000	20000	20000
Hubs	14700	26000	26000
Brakes	13200	20000	20000
Wheels	16000	32000	32000
Tires	12350	23360	23360
Power Steering	13300	N/A	N/A
GAWR (per axle)	12000	20000	20000
GAWR (per axle system)	12000		40000
Expected Load (per axle system)	12000		40000
<b>Vehicle GVWR Summary</b>			
Calculated GVWR	52000		
Expected GVWR	52000		
All weights displayed in pounds			

Performance calculations are estimates only. If performance calculations are critical, please contact Customer Application Engineering.



# DAVIS TRAILER & TRUCK EQUIPMENT, INC.

P.O. Box 4129 • 7609 Colonel Glenn • Little Rock, Arkansas 72214-4129  
(501) 562-6295 • In Ark. 1-800-482-9484 • Out of Ark. 1-800-233-1335

December 4, 2015

Mr. Rocky Shoffstall  
Grande Truck Center  
4562 IH-10 East  
San Antonio, TX 78219  
Ph: 210-860-7537

RE: City of San Antonio IFB NO: 6100006820  
4.8 Item 6 >50,000 G.V.W.R. Dump Truck

Dear Mr. Shoffstall:

Attached is our quote for furnishing and installing a 14' 11-14 cubic yard capacity dump body and associated equipment meeting or exceeding all specifications contained in the invitation for bid as amended. The 14' unit is designed to fit trucks with usable measurements of 108" to 114" from the back of the truck cab to the point midway between the two rear axles. The price includes all accessories and equipment specified in the dump body specifications. It also includes the electric back up alarm, triangle warning kit and 5#'s ABC fire extinguisher specified in the truck specifications. Delivery will be within 30 days of receiving an order from you or within 15 working days of receiving the truck-whichever is longer. The price is F.O.B. your dealership in San Antonio and assumes the truck is drop shipped to us. The price is firm for 180 days provided a purchase order is issued by 01/31/16.

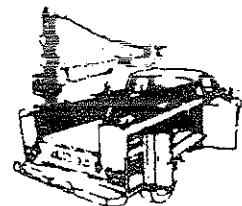
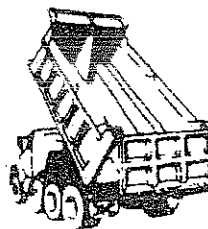
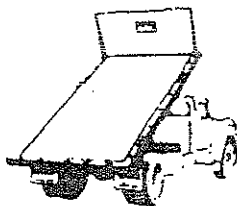
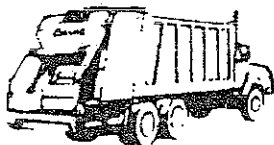
I have enclosed our brochure. The dump body will be built to the exact specifications contained in the invitation to bid. All accessories specified will be supplied and will meet the specification if you provide our equipment. However, since I am building a dump body to meet another body builder specification, I do not know how competitive my quote may be. I do believe the price is at least comparable. If you have any questions, please call me.

Thank you for the opportunity to quote. Good luck on winning the bid and securing the business.

Sincerely,



Chester D. Mercer  
President



# DAVIS

TRAILER & TRUCK EQUIPMENT, INC.

P.O. Box 4129 • 7689 Colonel Glenn • Little Rock, Arkansas 72214-4129  
 (501) 562-6295 • In Ark. 1-800-482-9484 • Out of Ark. 1-800-233-1335

QUOTATION NUMBER 10581

QUOTE DATED: 12/04/15

EXPIRES ON: 01/31/16

GRANDE TRUCK CENTER  
 ATTN: MR. ROCKY SHOFFSTALL  
 4562 IH-10 EAST  
 SAN ANTONIO, TX 78219

F.O.B.: LITTLE ROCK, AR

RE: CITY OF SAN ANTONIO IFB NO: 6100006820  
 4.8 ITEM 6 >50,000 G.V.W.R DUMP TRUCK

PHONE: 210-666-7122 CELL: 210-860-7537 EMAIL: rshoffstall@grandetruckcenter.com FAX: 210-666-7216

ENTERED BY	SALESPERSON	CONTACT	SHIP VIA	ESTIMATED DELIVERY	INVOICE TERMS
TM	CHET MERCER	MR. ROCK SHOFFSTALL	CUSTOMER	30 DAYS ARO 15 DAYS ARC	CHECK AT DELIVERY

QTY	DESCRIPTION	UNIT PRICE
1	DAVIS FMT 11-14	16,300.00

DAVIS 14' 11-14 CUBIC YARD DUMP BODY  
 1/2 CAB PROTECTOR INSIDE DIMENSIONS:  
 MANUAL DOUBLE ACTING TAILGATE SIDES - 36"  
 DAVIS TOWER CONTROLS (FULL AIR) ENDS - 46"  
 ASPHALT APRON WIDTH - 84"  
 "HOT" SHIFT PTO FOR ALLISON LENGTH - 14'  
 AUTOMATIC TRANSMISSION  
 10" CHANNEL SIDE EXTENSIONS

EQUIPPED WITH:  
 DAVIS FMT 63-120: THREE STAGE FRONT MOUNT  
 TELESCOPIC HOIST WITH 38 TONS LIFT CAPACITY  
 (NTEA CLASS 110)-FULL LENGTH SUBFRAME MOUNT

CONSTRUCTION:  
 PER CUSTOMER SPECIFICATION WITH NO EXCEPTION

- ADDITIONAL EQUIPMENT:
1. STROBE LIGHTS PER SPECIFICATION
  2. U.S. TARP 11525: HEAVY DUTY ELECTRIC TARP SYSTEM WITH IN-CAB CONTROLS, WIND DEFLECTOR AND MESH TARP PER SPECIFICATION
  3. 60,000#'S RATED CAPACITY TOWING PACKAGE FOR AIR BRAKE EQUIPPED TRAILERS PER SPECIFICATION
  4. TRIANGLE WARNING KIT
  5. 5#'S ABC FIRE EXTINGUISHER

THE ABOVE EQUIPMENT MEETS OR EXCEEDS ALL SPECIFICATIONS CONTAINED IN THE BID REQUEST

STANDARD PAINT COLORS - RED, WHITE, BLACK  
 DARK GREEN, GRAY, MEDIUM OR DARK BLUE

ACCEPTED. The above prices, specifications and conditions are satisfactory and are hereby accepted. You are authorized to do the work as specified. Payment will be made as outlined above. Please refer to Quotation Number when placing your order.

Date of Acceptance: \_\_\_\_\_

Firm: \_\_\_\_\_

By: \_\_\_\_\_

*Chet J. Mercer*



# DAVIS TRAILER & TRUCK EQUIPMENT, INC.

P.O. Box 4129 • 7609 Colonel Glenn • Little Rock, Arkansas 72214-4129  
(501) 562-6295 • In Ark. 1-800-482-9484 • Out of Ark. 1-800-233-1335

**OTHER INFORMATION:**

THE PRICE INCLUDES COMPLETE INSTALLATION, DIRECT MOUNT HYDRAULIC PUMP, "HOT" SHIFT PTO FOR ALLISON AUTOMATIC TRANSMISSION, MUDFLAPS, D.O.T. LIGHTING FOR THE BODY, OSHA SAFETY BODY PROP, BACK UP ALARM AND ONE COLOR STANDARD PAINT. THE PRICE IS FIRM FOR 180 DAYS PROVIDED A PURCHASE PER SPECIFICATION ORDER IS ISSUED BY 01/31/16.

ACCEPTED. The above prices, specifications and conditions are satisfactory and are hereby accepted. You are authorized to do the work as specified. Payment will be made as outlined above. Please refer to Quotation Number when placing your order.

**FOR RESALE**

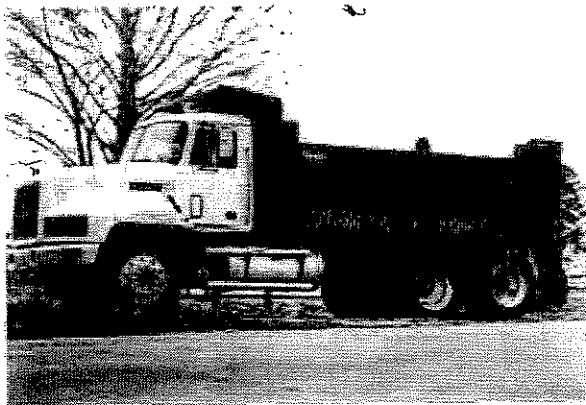
**QUOTE TOTAL: \$ 16,300.00**

Date of Acceptance: \_\_\_\_\_

Firm: \_\_\_\_\_

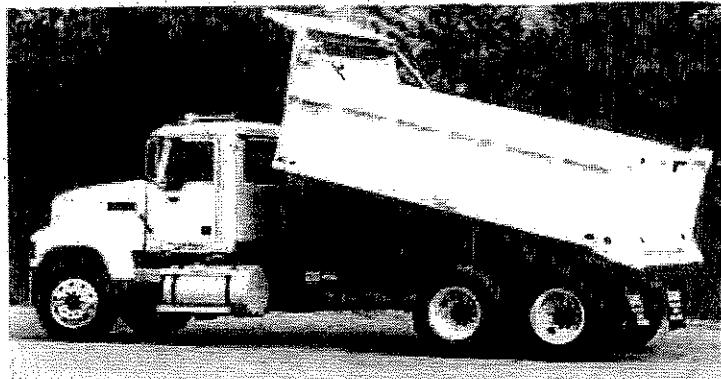
By: \_\_\_\_\_

# **DAVIS** **DUMP BODIES**



**COMPETITIVE  
PRICE!**

**ONE-DAY  
INSTALLATION**



**RUGGED  
CONSTRUCTION**

(501) 562-6295 ■ FAX (501) 562-4036

**CALL TOLL FREE:**

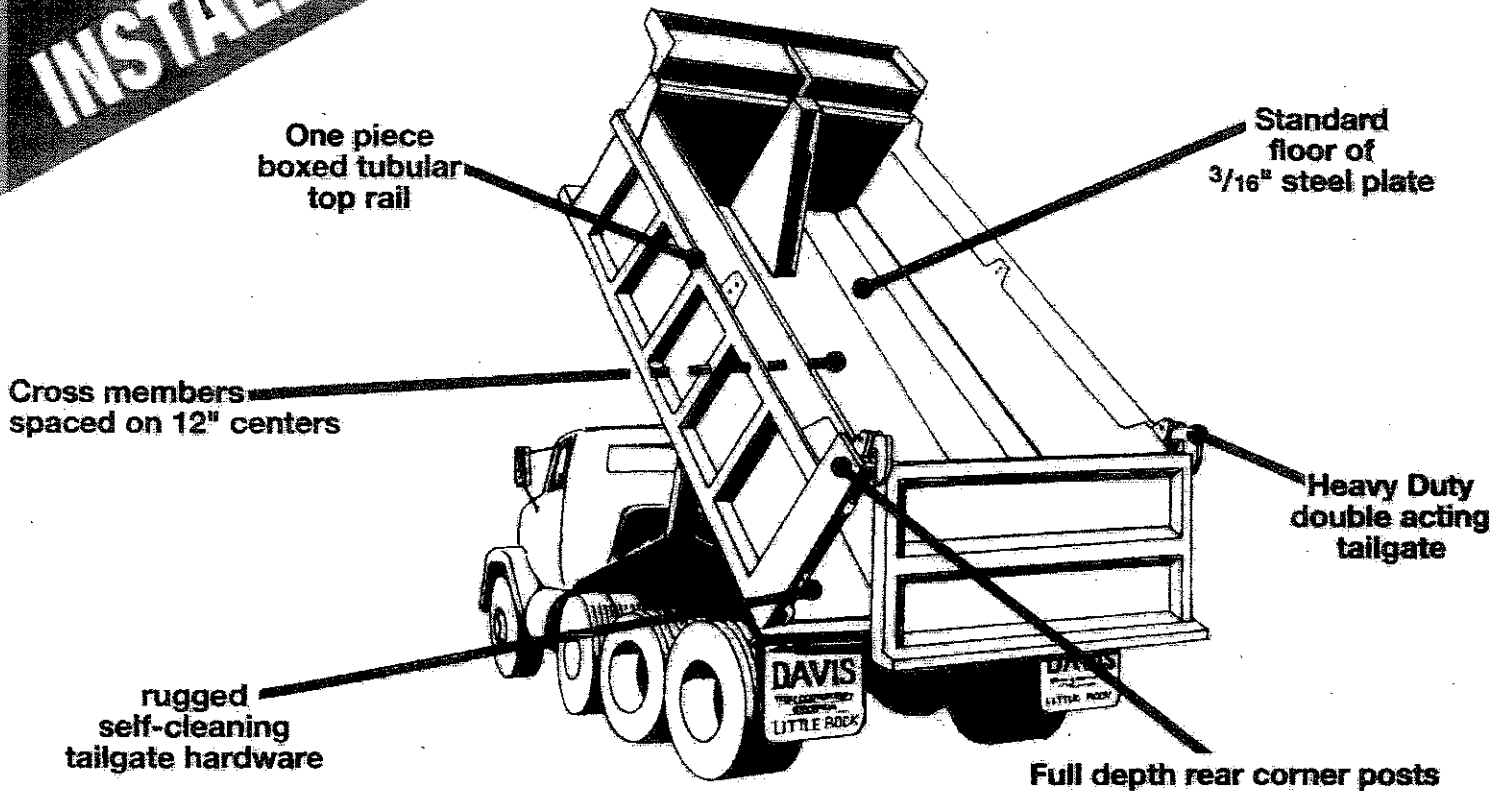
OUTSIDE ARKANSAS 1-800-233-1335  
INSIDE ARKANSAS 1-800-482-9484  
PARTS 1-800-873-2847

<http://www.davisdump.com>

***Founded in Arkansas in 1928***

**ONE DAY  
INSTALLATION**

**DAVIS**



Founded in 1928, Davis Trailer & Truck Equipment Company began with a firm dedication to specialize in the manufacturing and installation of high-quality, top-of-the-line dump bodies, and complementary equipment such as tag and pusher axles, asphalt aprons, cab protectors, and air operated tailgates. We attribute our rapid growth over 60 years to a fervent belief that our customers are number one, thus entitling them to quality products as well as quality service.

### **We can assure our customers of quality service by:**

1. Maintaining a large stock of the most popular body sizes. When you call us we will have your body in stock.
2. Maintaining a large stock of service parts to guarantee you one-day installation of standard bodies and fast installation of specialized equipment.
3. Maintaining a streamlined manufacturing process for specialized bodies so that you will not have to wait.

Davis is also a full-line truck equipment distributor, specializing in flatbed dumps, service, cranes, lift axles, winch bodies and more.

**DAVIS**

**TRAILER AND TRUCK EQUIPMENT, INC., Little Rock, AR**

7609 Col. Glenn ■ P.O. Box 4129 ■ Little Rock, AR 72214

(501) 562-6295 ■ FAX (501) 562-4036

**CALL TOLL FREE:**

OUTSIDE ARKANSAS 1-800-233-1335

INSIDE ARKANSAS 1-800-482-9484

PARTS 1-800-873-2847

<http://www.davisdump.com>

Prepared for:  
Fleet Manager  
City of San Antonio  
329 S Frio  
San Antonio, TX 78207  
Phone: 210-207-7000

Prepared by:  
ROCKY SHOFFSTALL  
GRANDE TRUCK CENTER  
4562 IH 10 EAST  
SAN ANTONIO, TX 78219  
Phone: (210)-661-4121

# 7

2 FR

Coast Wheel

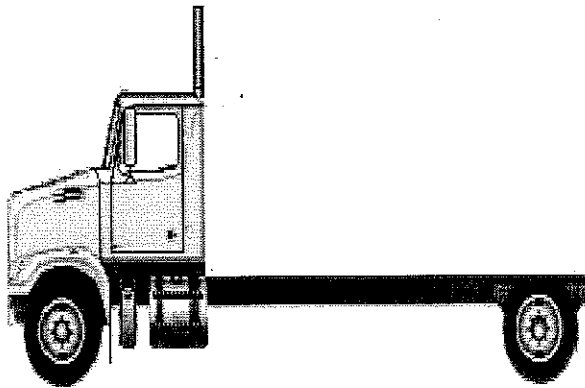
Air Comp

A proposal for  
**City of San Antonio**

Prepared by  
**GRANDE TRUCK CENTER**  
**ROCKY SHOFFSTALL**

Dec 05, 2015

**Western Star 4700SF**



Components shown may not reflect all spec'd options and are not to scale



Prepared for:  
 Fleet Manager  
 City of San Antonio  
 329 S Frio  
 San Antonio, TX 78207  
 Phone: 210-207-7000

Prepared by:  
 ROCKY SHOFFSTALL  
 GRANDE TRUCK CENTER  
 4562 IH 10 EAST  
 SAN ANTONIO, TX 78219  
 Phone: (210)-661-4121

## S P E C I F I C A T I O N   P R O P O S A L

Data Code	Description	Weight Front	Weight Rear	Retail Price
<b>Price Level</b>				
PRL-14T	WESTERN STAR 4700 PRL-14T (EFF:10/05/15)			STD
<b>Data Version</b>				
DRL-007	SPECPRO21 DATA RELEASE VER 007			N/C
<b>Vehicle Configuration</b>				
001-450	4700 SET-FORWARD FRONT AXLE CHASSIS	9,094	6,876	\$164,240.00
004-217	2017 MODEL YEAR SPECIFIED			STD
002-003	SET FORWARD AXLE - TRUCK			STD
019-002	STRAIGHT TRUCK PROVISION			STD
003-001	LH PRIMARY STEERING LOCATION			STD
<b>General Service</b>				
AA1-002	TRUCK CONFIGURATION			STD
AA6-001	DOMICILED, USA 50 STATES (INCLUDING CALIFORNIA AND CARB OPT-IN STATES)			STD
A85-011	CONSTRUCTION SERVICE			STD
A84-1GM	GOVERNMENT BUSINESS SEGMENT			N/C
AA4-002	LIQUID BULK COMMODITY			N/C
AA5-002	TERRAIN/DUTY: 100% (ALL) OF THE TIME, IN TRANSIT, IS SPENT ON PAVED ROADS			STD
AB1-008	MAXIMUM 8% EXPECTED GRADE			STD
AB5-001	SMOOTH CONCRETE OR ASPHALT PAVEMENT - MOST SEVERE IN-TRANSIT (BETWEEN SITES) ROAD SURFACE			STD
995-1A5	WESTERN STAR VOCATIONAL WARRANTY			STD
A66-99D	EXPECTED FRONT AXLE(S) LOAD : 12000.0 lbs			
A68-99D	EXPECTED REAR DRIVE AXLE(S) LOAD : 23000.0 lbs			
A63-99D	EXPECTED GROSS VEHICLE WEIGHT CAPACITY : 35000.0 lbs			
<b>Truck Service</b>				
AA3-003	TANK BODY			N/C



Prepared for:  
 Fleet Manager  
 City of San Antonio  
 329 S Frio  
 San Antonio, TX 78207  
 Phone: 210-207-7000

Prepared by:  
 ROCKY SHOFFSTALL  
 GRANDE TRUCK CENTER  
 4562 IH 10 EAST  
 SAN ANTONIO, TX 78219  
 Phone: (210)-661-4121

Data Code	Description	Weight Front	Weight Rear	Retail Price
<b>Engine</b>				
N	101-2XD CUM ISL 330 HP @ 2000 RPM, 2200 GOV RPM, 1000 LB/FT @ 1400 RPM ✓	-850	-70	(\$12,582.00)
<b>Electronic Parameters</b>				
79A-070	70 MPH ROAD SPEED LIMIT			N/C
79B-000	CRUISE CONTROL SPEED LIMIT SAME AS ROAD SPEED LIMIT			N/C
79K-007	PTO MODE ENGINE RPM LIMIT - 1100 RPM			N/C
79P-002	PTO RPM WITH CRUISE SET SWITCH - 700 RPM			N/C
79Q-003	PTO RPM WITH CRUISE RESUME SWITCH - 800 RPM			N/C
79S-001	PTO MODE CANCEL VEHICLE SPEED - 5 MPH			N/C
79U-007	PTO GOVERNOR RAMP RATE - 250 RPM PER SECOND			N/C
80G-002	PTO MINIMUM RPM - 700			N/C
80J-002	REGEN INHIBIT SPEED THRESHOLD - 5 MPH			N/C
<b>Engine Equipment</b>				
99C-017	2016 ONBOARD DIAGNOSTICS/2010 EPA/CARB/GHG17			STD
99D-011	2008 CARB EMISSION CERTIFICATION - CLEAN IDLE (INCLUDES 6X4 INCH LABEL ON LOWER FORWARD CORNER OF DRIVER DOOR)			\$106.00
PMT-998	NO 2013 ENGINE ESCALATOR			STD
13E-001	STANDARD OIL PAN			STD
105-001	ENGINE MOUNTED OIL CHECK AND FILL			STD
133-004	ONE PIECE VALVE COVER			STD
014-099	SIDE OF HOOD AIR INTAKE WITH FIREWALL MOUNTED DONALDSON AIR CLEANER			STD
124-1E1	DR 12V 200 AMP 28-SI QUADRAMOUNT PAD ALTERNATOR WITH REMOTE BATTERY VOLT SENSE ✓			\$165.00
292-148	(3) ALLIANCE ABSORBED GLASS MAT MODEL 7A31, GROUP 31, 12 VOLT MAINTENANCE FREE 2190 CCA THREADED STUD BATTERIES ✓			STD
290-1AC	PASSENGER SEAT BATTERY BOX VENTED TO OUTSIDE OF CAB			STD
282-013	BATTERY BOX MOUNTED UNDER PASSENGER SEAT			STD
291-017	WIRE GROUND RETURN FOR BATTERY CABLES WITH ADDITIONAL FRAME GROUND RETURN			STD
289-006	PLASTIC BATTERY BOX COVER			STD



Prepared for:  
 Fleet Manager  
 City of San Antonio  
 329 S Frio  
 San Antonio, TX 78207  
 Phone: 210-207-7000

Prepared by:  
 ROCKY SHOFFSTALL  
 GRANDE TRUCK CENTER  
 4562 IH 10 EAST  
 SAN ANTONIO, TX 78219  
 Phone: (210)-661-4121

Data Code	Description	Weight Front	Weight Rear	Retail Price
293-060	POSITIVE LOAD DISCONNECT WITH CAB MOUNTED CONTROL SWITCH WITH LOCKING PROVISION MOUNTED OUTBOARD DRIVER SEAT	8		\$254.00
107-032	CUMMINS TURBOCHARGED 18.7 CFM AIR COMPRESSOR WITH INTERNAL SAFETY VALVE			N/C
131-013	AIR COMPRESSOR DISCHARGE LINE			STD
152-041	ELECTRONIC ENGINE INTEGRAL SHUTDOWN PROTECTION SYSTEM			STD
016-1C2	RH OUTBOARD UNDER STEP MOUNTED HORIZONTAL AFTERTREATMENT SYSTEM ASSEMBLY WITH RH B-PILLAR MOUNTED VERTICAL TAILPIPE			STD
28F-002	ENGINE AFTERTREATMENT DEVICE, AUTOMATIC OVER THE ROAD REGENERATION AND DASH MOUNTED REGENERATION REQUEST SWITCH			STD
239-026	10 FOOT 06 INCH (126 INCH+0/-5.9 INCH) EXHAUST SYSTEM HEIGHT			N/C
237-1CR	RH CURVED VERTICAL TAILPIPE B-PILLAR MOUNTED ROUTED FROM STEP			STD
23U-001	6 GALLON DIESEL EXHAUST FLUID TANK			STD
30N-003	100 PERCENT DIESEL EXHAUST FLUID FILL			STD
23Y-001	STANDARD DIESEL EXHAUST FLUID PUMP MOUNTING			STD
43X-002	LH MEDIUM DUTY STANDARD DIESEL EXHAUST FLUID TANK LOCATION			STD
242-001	STAINLESS STEEL AFTERTREATMENT DEVICE/MUFFLER/TAILOPIPE SHIELD			STD
273-018	HORTON DRIVEMASTER ON/OFF FAN DRIVE			N/C
276-001	AUTOMATIC FAN CONTROL WITHOUT DASH SWITCH, NON ENGINE MOUNTED			STD
110-003	CUMMINS SPIN ON FUEL FILTER			N/C
118-008	COMBINATION FULL FLOW/BYPASS OIL FILTER			N/C
120-008	PENRAY NEED RELEASE WATER FILTER	.10		\$194.00
266-017	1300 SQUARE INCH ALUMINUM RADIATOR	-20		N/C
267-006	MOUNTING FOR FIREWALL MOUNTED SURGE TANK			STD
103-036	ANTIFREEZE TO -34F, ETHYLENE GLYCOL PRE-CHARGED SCA HEAVY DUTY COOLANT			\$22.00
171-007	GATES BLUE STRIPE COOLANT HOSES OR EQUIVALENT			STD
172-001	CONSTANT TENSION HOSE CLAMPS FOR COOLANT HOSES			STD
270-016	RADIATOR DRAIN VALVE			N/C



Prepared for:  
 Fleet Manager  
 City of San Antonio  
 329 S Frio  
 San Antonio, TX 78207  
 Phone: 210-207-7000

Prepared by:  
 ROCKY SHOFFSTALL  
 GRANDE TRUCK CENTER  
 4562 IH 10 EAST  
 SAN ANTONIO, TX 78219  
 Phone: (210)-661-4121

	Data Code	Description	Weight Front	Weight Rear	Retail Price
N	138-998	NO BLOCK HEATER			(\$68.00)
N	166-998	NO OIL PREHEATER			(\$69.00)
	134-001	ALUMINUM FLYWHEEL HOUSING			STD
	132-004	ELECTRIC GRID AIR INTAKE WARMER			N/C
	155-058	DELCO 12V 38MT HD STARTER WITH INTEGRATED MAGNETIC SWITCH	-10		N/C

**Transmission**

	342-584	ALLISON 3500 RDS AUTOMATIC TRANSMISSION WITH PTO PROVISION	✓ -110	-35	\$7,242.00
--	---------	--	--------	-----	------------

**Transmission Equipment**

	343-339	ALLISON VOCATIONAL PACKAGE 223 - AVAILABLE ON 3000/4000 PRODUCT FAMILIES WITH VOCATIONAL MODELS RDS, HS, MH AND TRV			N/C
	84B-002	ALLISON VOCATIONAL RATING FOR CONCRETE MIXER APPLICATIONS ONLY AVAILABLE WITH 3000 PRODUCT FAMILIES			N/C
	84C-023	PRIMARY MODE GEARS, LOWEST GEAR 1, START GEAR 1, HIGHEST GEAR 6, AVAILABLE FOR 3000/4000 PRODUCT FAMILIES ONLY			N/C
	84D-023	SECONDARY MODE GEARS, LOWEST GEAR 1, START GEAR 1, HIGHEST GEAR 6, AVAILABLE FOR 3000/4000 PRODUCT FAMILIES ONLY			N/C
	362-035	CUSTOMER INSTALLED CHELSEA 277 SERIES PTO			N/C
	363-002	PTO MOUNTING, RH SIDE OF MAIN TRANSMISSION			N/C
	341-018	MAGNETIC PLUGS, ENGINE DRAIN, TRANSMISSION DRAIN, AXLE(S) FILL AND DRAIN			N/C
	345-003	PUSH BUTTON ELECTRONIC SHIFT CONTROL, DASH MOUNTED			N/C
	97G-004	TRANSMISSION PROGNOSTICS - ENABLED 2013			N/C
	370-015	WATER TO OIL TRANSMISSION COOLER, IN RADIATOR END TANK			STD
	346-003	TRANSMISSION OIL CHECK AND FILL WITH ELECTRONIC OIL LEVEL CHECK			N/C
	35T-001	SYNTHETIC TRANSMISSION FLUID (TES-295 COMPLIANT)			N/C

**Front Axle and Equipment**

	400-095	MFS-12-143A 12,000# FF1 71.5 INCH KPI/3.74 INCH DROP SINGLE FRONT AXLE	✓ -150		(\$1,220.00)
	402-020	MERITOR 15X4 Q+ CAM FRONT BRAKES	-10		N/C
	403-002	NON-ASBESTOS FRONT BRAKE LINING			STD





Prepared for:  
 Fleet Manager  
 City of San Antonio  
 329 S Frio  
 San Antonio, TX 78207  
 Phone: 210-207-7000

Prepared by:  
 ROCKY SHOFFSTALL  
 GRANDE TRUCK CENTER  
 4562 IH 10 EAST  
 SAN ANTONIO, TX 78219  
 Phone: (210)-661-4121

Data Code	Description	Weight Front	Weight Rear	Retail Price
419-023	CONMET CAST IRON FRONT BRAKE DRUMS			STD
427-001	FRONT BRAKE DUST SHIELDS	5		\$51.00
409-021	SKF SCOTSEAL PLUS XL FRONT OIL SEALS			STD
408-001	VENTED FRONT HUB CAPS WITH WINDOW, CENTER AND SIDE PLUGS - OIL			STD
416-022	STANDARD SPINDLE NUTS FOR ALL AXLES			STD
405-003	HALDEX AUTOMATIC FRONT SLACK ADJUSTERS			STD
406-001	STANDARD KING PIN BUSHINGS			STD
536-050	TRW THP-60 POWER STEERING	-40		N/C
539-003	POWER STEERING PUMP			STD
534-003	4 QUART POWER STEERING RESERVOIR	5		\$51.00
40T-003	SYNTHETIC 50W FRONT AXLE LUBE			STD
<b>Front Suspension</b>				
620-1F0	12,000# DUAL TAPERLEAF FRONT SUSPENSION	✓-188		(\$165.00)
619-005	MAINTENANCE FREE RUBBER BUSHINGS - FRONT SUSPENSION			N/C
410-001	FRONT SHOCK ABSORBERS			N/C
<b>Rear Axle and Equipment</b>				
420-051	RS-23-160 23,000# R-SERIES SINGLE REAR AXLE	✓	-2,415	(\$8,951.00)
421-563	5.63 REAR AXLE RATIO			N/C
424-001	IRON REAR AXLE CARRIER WITH STANDARD AXLE HOUSING			N/C
386-076	MXL 17N MERITOR EXTENDED LUBE MAIN DRIVELINE WITH FULL ROUND YOKES	20	20	\$347.00
423-020	MERITOR 16.5X7 Q+ CAST SPIDER CAM REAR BRAKES, DOUBLE ANCHOR, FABRICATED SHOES			STD
433-002	NON-ASBESTOS REAR BRAKE LINING			STD
434-012	BRAKE CAMS AND CHAMBERS ON REAR SIDE OF DRIVE AXLE(S)			N/C
451-023	CONMET CAST IRON REAR BRAKE DRUMS			STD
425-002	REAR BRAKE DUST SHIELDS		5	\$59.00
440-021	SKF SCOTSEAL PLUS XL REAR OIL SEALS			STD
426-074	HALDEX GOLDSEAL LONGSTROKE 1-DRIVE AXLE SPRING PARKING CHAMBERS			N/C
428-003	HALDEX AUTOMATIC REAR SLACK ADJUSTERS			STD
41T-002	SYNTHETIC 75W-90 REAR AXLE LUBE			STD

**Rear Suspension**



Prepared for:  
 Fleet Manager  
 City of San Antonio  
 329 S Frio  
 San Antonio, TX 78207  
 Phone: 210-207-7000

Prepared by:  
 ROCKY SHOFFSTALL  
 GRANDE TRUCK CENTER  
 4562 IH 10 EAST  
 SAN ANTONIO, TX 78219  
 Phone: (210)-661-4121

Data Code	Description	Weight Front	Weight Rear	Retail Price
622-003	23,000# FLAT LEAF SPRING REAR SUSPENSION WITH HELPER AND RADIUS ROD		30	(\$4,416.00)
621-001	SPRING SUSPENSION - NO AXLE SPACERS			N/C
431-001	STANDARD AXLE SEATS IN AXLE CLAMP GROUP			N/C
623-005	FORE/AFT CONTROL RODS			N/C
<b>Brake System</b>				
490-101	WABCO 4S/4M ABS WITH TRACTION CONTROL ✓			\$189.00
871-001	REINFORCED NYLON, FABRIC BRAID AND WIRE BRAID CHASSIS AIR LINES			STD
904-001	FIBER BRAID PARKING BRAKE HOSE			STD
412-001	STANDARD BRAKE SYSTEM VALVES			STD
432-003	RELAY VALVE WITH 5-8 PSI CRACK PRESSURE, NO REAR PROPORTIONING VALVE			STD
480-083	WABCO SS-1200 PLUS AIR DRYER WITH INTEGRAL AIR GOVERNOR AND HEATER ✓			STD
483-004	WABCO OIL COALESCING FILTER FOR AIR DRYER			STD
479-004	AIR DRYER MOUNTED OUTBOARD ON LH RAIL			STD
460-095	STEEL AIR BRAKE RESERVOIRS MOUNTED PERPENDICULAR RH UNDER CAB	15	5	\$348.00
607-001	CLEAR FRAME RAILS FROM BACK OF CAB TO FRONT REAR SUSPENSION BRACKET, BOTH RAILS OUTBOARD			\$63.00
477-006	BW DV-2 AUTO DRAIN VALVE WITHOUT HEATER ON ALL TANK(S) ✓			\$84.00
<b>Wheelbase &amp; Frame</b>				
545-520	5200MM (205 INCH) WHEELBASE			N/C
546-101	11/32X3-1/2X10-15/16 INCH STEEL FRAME (8.73MMX277.8MM/0.344X10.94 INCH) 120KSI	220	-70	\$477.00
552-014	1900MM (75 INCH) REAR FRAME OVERHANG			N/C
55W-007	FRAME OVERHANG RANGE: 71 INCH TO 80 INCH	-20	90	N/C
AC8-99D	CALC'D BACK OF CAB TO REAR SUSP C/L (CA) : 123.78 in			
AE8-99D	CALCULATED EFFECTIVE BACK OF CAB TO REAR SUSPENSION C/L (CA) : 120.78 in			
AE4-99D	CALC'D FRAME LENGTH - OVERALL : 296.97			
AM6-99D	CALC'D SPACE AVAILABLE FOR DECKPLATE : 123.78 in			
FSS-0LH	CALCULATED FRAME SPACE LH SIDE : 112.68 in			N/C



Prepared for:  
 Fleet Manager  
 City of San Antonio  
 329 S Frio  
 San Antonio, TX 78207  
 Phone: 210-207-7000

Prepared by:  
 ROCKY SHOFFSTALL  
 GRANDE TRUCK CENTER  
 4562 IH 10 EAST  
 SAN ANTONIO, TX 78219  
 Phone: (210)-661-4121

Data Code	Description	Weight Front	Weight Rear	Retail Price
FSS-0RH	CALCULATED FRAME SPACE RH SIDE : 113.45 in			N/C
553-001	SQUARE END OF FRAME			STD
559-001	STANDARD WEIGHT ENGINE CROSSMEMBER			STD
562-001	STANDARD MIDSHIP #1 CROSSMEMBER(S)			STD
572-001	STANDARD REARMOST CROSSMEMBER			STD
565-002	HEAVY DUTY SUSPENSION CROSSMEMBER			STD
568-001	STANDARD WEIGHT REAR SUSPENSION CROSSMEMBER			STD

### Chassis Equipment

556-1EE	16 INCH PAINTED STEEL BUMPER			STD
558-033	REMOVABLE FRONT TOW HOOKS STORED ON THE CHASSIS FRAME	25		\$182.00
574-001	BUMPER MOUNTING FOR SINGLE LICENSE PLATE			STD
586-015	FRONT ANTI-SPRAY CAB MOUNTED MUDFLAPS			STD
551-007	GRADE 8 THREADED HEX HEADED FRAME FASTENERS			STD

### Fuel Tanks

204-151	60 GALLON/227 LITER ALUMINUM FUEL TANK - LH			STD
218-006	25 INCH DIAMETER FUEL TANK(S)			STD
215-005	PLAIN ALUMINUM/PAINTED STEEL FUEL/HYDRAULIC TANK(S) WITH PAINTED BANDS			STD
212-007	FUEL TANK(S) FORWARD			STD
664-001	PLAIN STEP FINISH			STD
207-005	FUEL TANK FILLER NECK ANTI-SIPHON INSERT			\$37.00
205-001	FUEL TANK CAP(S)			STD
122-075	ALLIANCE FUEL FILTER/WATER SEPARATOR	15		N/C
216-020	EQUIFLO INBOARD FUEL SYSTEM			STD
202-016	HIGH TEMPERATURE REINFORCED NYLON FUEL LINE			STD
221-001	FUEL COOLER			STD

### Tires

093-1AX	MICHELIN XZE2 11R22.5 16 PLY RADIAL FRONT TIRES	24		\$102.00
094-0DJ	MICHELIN XDE M/S 11R22.5 16 PLY RADIAL REAR TIRES		44	\$48.00

### Hubs



Prepared for:  
 Fleet Manager  
 City of San Antonio  
 329 S Frio  
 San Antonio, TX 78207  
 Phone: 210-207-7000

Prepared by:  
 ROCKY SHOFFSTALL  
 GRANDE TRUCK CENTER  
 4562 IH 10 EAST  
 SAN ANTONIO, TX 78219  
 Phone: (210)-661-4121

Data Code	Description	Weight Front	Weight Rear	Retail Price
418-056	CONMET PRESET PLUS IRON FRONT HUBS			STD
450-056	CONMET PRESET PLUS IRON REAR HUBS			STD
<b>Wheels</b>				
502-428	ACCURIDE 28828 22.5X8.25 10-HUB PILOT 6.18 INSET 2-HAND HD STEEL DISC FRONT WHEELS ✓	26		(\$194.00)
505-428	ACCURIDE 28828 22.5X8.25 10-HUB PILOT 2-HAND HD STEEL DISC REAR WHEELS ✓		52	STD
496-011	FRONT WHEEL MOUNTING NUTS			STD
497-011	REAR WHEEL MOUNTING NUTS			STD
<b>Cab Exterior</b>				
829-1A8	110 INCH BBC STEEL CONVENTIONAL CAB			STD
82A-023	WESTERN STAR PAINTED ALUMINUM CAB SKIRT			STD
650-044	AIR CAB MOUNTS WITH CHECK VALVE ✓			STD
648-002	NONREMOVABLE BUGSCREEN MOUNTED BEHIND GRILLE			STD
667-001	FRONT FENDERS			STD
754-001	2 INCH FENDER EXTENSIONS	5		\$106.00
678-034	LH AND RH EXTERIOR GRAB HANDLES WITH RUBBER INSERTS AND RH INTERIOR GRAB HANDLE MOUNTED TO A POST			STD
646-008	STATIONARY BRIGHT FINISH GRILLE			STD
65X-003	CHROME HOOD MOUNTED AIR INTAKE GRILLE			STD
640-008	GALVANEALD STEEL SEVERE SERVICE CAB			STD
644-004	FIBERGLASS HOOD			STD
727-012	DUAL HADLEY SD-978 26 INCH RECTANGULAR AIR HORNS			STD
726-001	SINGLE ELECTRIC HORN			STD
728-002	DUAL HORN SHIELDS			STD
657-1B5	ALL UNIT(S) KEYED ALIKE WITH CUSTOMER SPECIFIED KEY NUMBER D335			\$43.00
575-001	REAR LICENSE PLATE MOUNT END OF FRAME			STD
312-072	SINGLE RECTANGULAR SEALED BEAM HEADLIGHTS WITH BRIGHT BEZELS			STD
302-022	LED MARKER LAMPS			\$95.00
311-001	DAYTIME RUNNING LIGHTS			\$56.00
294-1AV	LED STOP/TAIL WITH SEPARATE LED BACKUP LIGHTS MOUNTED ON PAINTED STEEL PLATE END OF FRAME		5	\$150.00
300-015	STANDARD FRONT TURN SIGNAL LAMPS			STD



Prepared for:  
 Fleet Manager  
 City of San Antonio  
 329 S Frio  
 San Antonio, TX 78207  
 Phone: 210-207-7000

Prepared by:  
 ROCKY SHOFFSTALL  
 GRANDE TRUCK CENTER  
 4562 IH 10 EAST  
 SAN ANTONIO, TX 78219  
 Phone: (210)-661-4121

Data Code	Description	Weight Front	Weight Rear	Retail Price
744-1E0	DUAL WEST COAST STAINLESS STEEL HEATED MIRRORS WITH LH AND RH REMOTE ✓			\$413.00
797-001	DOOR MOUNTED MIRRORS			STD
796-001	102 INCH EQUIPMENT WIDTH			STD
743-1AC	LH AND RH 8 INCH STAINLESS STEEL CONVEX MIRRORS MOUNTED BELOW PRIMARY MIRRORS			STD
74A-001	RH DOWN VIEW MIRROR			STD
74B-005	RH VELVAC 8 INCH BRIGHT FINISH HOOD MOUNTED CONVEX MIRROR WITH SWING ARM BRACKET, DUAL VIEW ✓	4		\$88.00
729-001	STANDARD SIDE/REAR REFLECTORS			STD
787-020	ELECTRIC DOOR LOCKS, MECHANICAL KEY TUMBLER ✓			\$149.00
768-046	17.5X35 INCH TINTED REAR WINDOW			STD
661-006	TINTED DOOR GLASS			STD
654-011	RH AND LH ELECTRIC POWERED WINDOWS	4		\$151.00
663-002	2-PIECE TINTED CURVED GASKET MOUNTED WINDSHIELD			STD
659-025	2 GALLON WINDSHIELD WASHER RESERVOIR WITHOUT FLUID LEVEL INDICATOR, MOUNTED UNDER CAB, WITH REMOTE FILL			STD
<b>Cab Interior</b>				
707-1D0	GRAY VINYL BASE INTERIOR			STD
70K-005	BLACK HARD TRIM			STD
706-049	BASE LEFT HAND DOOR TRIM			STD
708-049	BASE RIGHT HAND DOOR TRIM			STD
772-006	BLACK MATS WITH SINGLE INSULATION			STD
785-007	DASH MOUNTED ASH TRAY AND LIGHTER, DRIVER SIDE			STD
691-001	FORWARD ROOF MOUNTED CONSOLE			STD
694-009	PASSENGER SIDE WING DASH MOUNTED GLOVE BOX WITH LOCKING DOOR			STD
693-025	LH AND RH DOOR MAP POCKETS			STD
741-029	COAT HOOK ON RH BACKWALL OF CAB			STD
680-034	TWO-TONE CHARCOAL UPPER/COOL GRAY LOWER SOFT TOUCH WING DASH WITH BLACK DRIVER SIDE COSMETIC UNDER DASH COVER			STD
320-004	STANDARD WIRING			STD
720-003	5 LB. FIRE EXTINGUISHER ✓	10		\$65.00
700-015	HEATER, DEFROSTER AND AIR CONDITIONER WITH COSMETIC COVER			STD



Prepared for:  
 Fleet Manager  
 City of San Antonio  
 329 S Frio  
 San Antonio, TX 78207  
 Phone: 210-207-7000

Prepared by:  
 ROCKY SHOFFSTALL  
 GRANDE TRUCK CENTER  
 4562 IH 10 EAST  
 SAN ANTONIO, TX 78219  
 Phone: (210)-661-4121

Data Code	Description	Weight Front	Weight Rear	Retail Price
701-010	HVAC DUCTING WITH FOAM MAIN FRESH AIR FILTER AND OUTSIDE PRE-FILTER			STD
703-005	MAIN HVAC CONTROLS WITH RECIRCULATION SWITCH			STD
170-015	STANDARD HEATER PLUMBING			STD
130-033	DENSO HEAVY DUTY AIR CONDITIONER COMPRESSOR			STD
698-001	RADIATOR MOUNTED AIR CONDITIONER CONDENSER			STD
702-002	BINARY CONTROL, R-134A			STD
739-001	CAB INSULATION			STD
285-019	AUTOMATIC SELF-RESET CIRCUIT BREAKER IN MAIN DASH POWER DISTRIBUTION BOX AND CIRCUIT BREAKER/FUSE IN AUXILIARY POWER DISTRIBUTION BOXES			\$21.00
324-075	DOOR ACTIVATED DOME LIGHT, UNDER DASH LIGHT AND LH AND RH DOOR MOUNTED COURTESY LIGHTS			STD
655-005	LH AND RH ELECTRIC DOOR LOCKS			N/C
284-023	(1) 12 VOLT POWER SUPPLY IN DASH			\$90.00
722-028	TRIANGULAR REFLECTORS KIT WITHOUT FLARES SHIPPED LOOSE IN CAB		10	\$28.00
756-1DD	BASIC HIGH BACK AIR SUSPENSION DRIVER SEAT WITH 1 CHAMBER AIR LUMBAR, INTEGRATED CUSHION EXTENSION AND REAR CUSHION TILT			STD
760-294	BATTERY BOX MID BACK NON SUSPENSION PASSENGER SEAT			STD
758-022	BLACK MORDURA CLOTH DRIVER SEAT COVER			STD
761-023	BLACK MORDURA CLOTH PASSENGER SEAT COVER			STD
763-012	3 POINT HIGH VISIBILITY ORANGE RETRACTOR DRIVER AND PASSENGER SEAT BELTS			\$14.00
532-002	ADJUSTABLE TILT AND TELESCOPING STEERING COLUMN			STD
540-005	2-SPOKE 20 INCH (500MM) BLACK STEERING WHEEL			STD
765-002	DRIVER AND PASSENGER INTERIOR SUN VISORS			STD

**Instruments & Controls**

185-002	Non-adjustable suspended pedals			STD
870-004	STAR GAUGES WITH BLACK BEZELS			STD
732-001	BLACK DRIVER INSTRUMENT PANEL			STD
734-001	BLACK CENTER INSTRUMENT PANEL			STD



Prepared for:  
 Fleet Manager  
 City of San Antonio  
 329 S Frio  
 San Antonio, TX 78207  
 Phone: 210-207-7000

Prepared by:  
 ROCKY SHOFFSTALL  
 GRANDE TRUCK CENTER  
 4562 IH 10 EAST  
 SAN ANTONIO, TX 78219  
 Phone: (210)-661-4121

Data Code	Description	Weight Front	Weight Rear	Retail Price
486-001	LOW AIR PRESSURE INDICATOR LIGHT AND AUDIBLE ALARM			STD
840-002	2 INCH PRIMARY AND SECONDARY AIR PRESSURE GAUGES			STD
198-003	DASH MOUNTED AIR RESTRICTION INDICATOR WITH GRADUATIONS			\$41.00
721-001	97 DB BACKUP ALARM		3	\$82.00
149-012	CRUISE CONTROL SWITCHES IN THE CENTER PANEL			STD
156-007	KEY OPERATED IGNITION SWITCH AND INTEGRAL START POSITION; 4 POSITION OFF/RUN/START/ACCESSORY			STD
811-001	WARNING LAMP/LIGHT BAR DISPLAY, NON-DATA LINKED			STD
160-038	HEAVY DUTY ONBOARD DIAGNOSTICS INTERFACE CONNECTOR LOCATED BELOW LH DASH			STD
844-001	2 INCH ELECTRIC FUEL GAUGE			STD
148-003	PROGRAMMABLE RPM CONTROL - ELECTRONIC ENGINE			STD
856-001	ELECTRICAL ENGINE COOLANT TEMPERATURE GAUGE			STD
864-001	2 INCH TRANSMISSION OIL TEMPERATURE GAUGE			STD
852-002	ELECTRIC ENGINE OIL PRESSURE GAUGE			STD
746-1B0	AM/FM/WB RADIO WITH CD PLAYER, BLUETOOTH AND MICROPHONE, USB, FRONT AND REAR AUXILIARY INPUTS AND J1939	✓ 10		\$453.00
747-002	ROOF/OVERHEAD CONSOLE MOUNTED RADIO			N/C
750-004	(4) RADIO SPEAKERS IN CAB			N/C
753-019	AM/FM ANTENNA MOUNTED ON RH FRONT A-PILLAR		2	\$29.00
748-026	POWER AND GROUND WIRING FOR CB RADIO IN OVERHEAD CONSOLE			STD
752-017	MULTI-BAND AM/FM/WB/CB LH MIRROR MOUNTED ANTENNA SYSTEM			STD
810-042	ELECTRONIC MPH SPEEDOMETER WITH SECONDARY KPH SCALE, WITH ODOMETER			STD
817-001	STANDARD VEHICLE SPEED SENSOR			STD
812-003	ELECTRONIC 3000 RPM TACHOMETER WITH HOUR METER			\$35.00
813-998	NO VEHICLE PERFORMANCE MONITOR			(\$998.00)
162-002	IGNITION SWITCH CONTROLLED ENGINE STOP			STD



Prepared for:  
 Fleet Manager  
 City of San Antonio  
 329 S Frio  
 San Antonio, TX 78207  
 Phone: 210-207-7000

Prepared by:  
 ROCKY SHOFFSTALL  
 GRANDE TRUCK CENTER  
 4562 IH 10 EAST  
 SAN ANTONIO, TX 78219  
 Phone: (210)-661-4121

Data Code	Description	Weight Front	Weight Rear	Retail Price
329-064	TWO IGNITION CONTROLLED EXTRA SWITCHES WITH INDICATOR LIGHT, 20 AMPS, WIRED BEHIND PASSENGER SEAT			\$124.00
836-001	2 INCH VOLTMETER			STD
660-008	SINGLE ELECTRIC WINDSHIELD WIPER MOTOR WITH DELAY			STD
304-015	CAB/TRAILER MARKER LIGHT SWITCH WITH SEPARATE HEADLIGHT SWITCH			STD
882-018	ONE VALVE PARKING BRAKE SYSTEM WITH DASH VALVE CONTROL AUTONEUTRAL AND WARNING INDICATOR			N/C
299-026	VSM NON CANCELING TURN SIGNAL SWITCH WITH INTEGRAL HEADLAMP DIMMER WITH BRAKE OVERRIDE			N/C
298-036	PACIFIC INSIGHT ELECTRONIC FLASHER			STD
<b>Design</b>				
065-000	PAINT: ONE SOLID COLOR			STD
<b>Color</b>				
980-5F6	CAB COLOR A: L0006EB WHITE ELITE BC			STD
96J-001	CAB INTERIOR PAINTED SAME AS CAB COLOR			STD
986-020	BLACK, HIGH SOLIDS POLYURETHANE CHASSIS PAINT			STD
962-972	POWDER WHITE (N0006EA) FRONT WHEELS/RIMS (PKWHT21, TKWHT21, W, TW)			STD
966-972	POWDER WHITE (N0006EA) REAR WHEELS/RIMS (PKWHT21, TKWHT21, W, TW)			STD
964-993	BUMPER PAINTED SAME AS CHASSIS			STD
<b>Certification / Compliance</b>				
996-001	U.S. FMVSS CERTIFICATION, EXCEPT SALES CABS AND GLIDER KITS			STD
<b>Secondary Factory Options</b>				
998-001	CORPORATE PDI CENTER IN-SERVICE ONLY			N/C
999-014	DEALER HAS BEEN ADVISED OF AND ACCEPTED RESPONSIBILITY FOR MODIFICATIONS DUE TO POSSIBLE PTO/CHASSIS INTERFERENCE			N/C
<b>Sales Programs</b>				
NO SALES PROGRAMS HAVE BEEN SELECTED				

**TOTAL VEHICLE SUMMARY**





Prepared for:  
 Fleet Manager  
 City of San Antonio  
 329 S Frio  
 San Antonio, TX 78207  
 Phone: 210-207-7000

Prepared by:  
 ROCKY SHOFFSTALL  
 GRANDE TRUCK CENTER  
 4562 IH 10 EAST  
 SAN ANTONIO, TX 78219  
 Phone: (210)-661-4121

**Adjusted List Price**

Adjusted List Price \*\* \$147,831.00

**Weight Summary**

	Weight Front	Weight Rear	Total Weight
Factory Weight <sup>+</sup>	8114 lbs	4540 lbs	12654 lbs
<b>Total Weight<sup>+</sup></b>	<b>8114 lbs</b>	<b>4540 lbs</b>	<b>12654 lbs</b>

**ITEMS NOT INCLUDED IN ADJUSTED LIST PRICE**

**Other Factory Charges**

PMU-017	2016 OBD/2010 EPA/CARB/GHG17 ESCALATOR	\$300.00
RAL-17D	MODEL YEAR 2017 WST 4700 ESCALATOR - \$750	\$750.00
P73-2WS	STANDARD DESTINATION CHARGE	\$2,025.00

(+) Weights shown are estimates only.

If weight is critical, contact Customer Application Engineering.

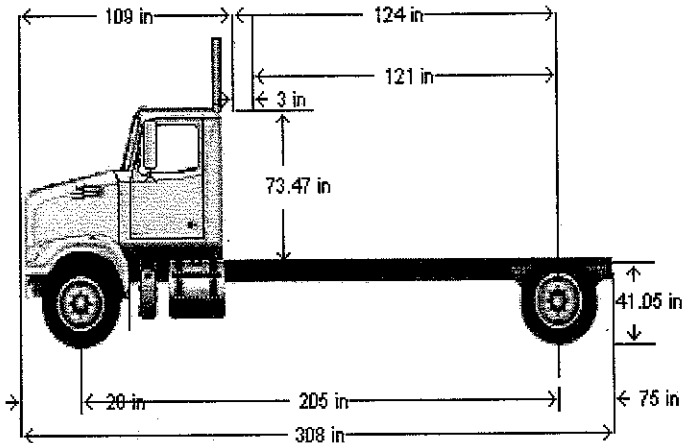
(\*\*) Prices shown do not include taxes, fees, etc... "Net Equipment Selling Price" is located on the Quotation Details Proposal Report.



Prepared for:  
 Fleet Manager  
 City of San Antonio  
 329 S Frio  
 San Antonio, TX 78207  
 Phone: 210-207-7000

Prepared by:  
 ROCKY SHOFFSTALL  
 GRANDE TRUCK CENTER  
 4562 IH 10 EAST  
 SAN ANTONIO, TX 78219  
 Phone: (210)-661-4121

## DIMENSIONS



### VEHICLE SPECIFICATIONS SUMMARY - DIMENSIONS

Model.....	4700SF
Wheelbase (545) .....	5200MM (205 INCH) WHEELBASE
Rear Frame Overhang (552) .....	1900MM (75 INCH) REAR FRAME OVERHANG
Fifth Wheel (578) .....	NO FIFTH WHEEL
Mounting Location (577).....	NO FIFTH WHEEL LOCATION
Maximum Forward Position (in).....	0
Maximum Rearward Position (in) .....	0
Amount of Slide Travel (in).....	0
Slide Increment (in).....	0
Desired Slide Position (in).....	0.0
Cab Size (829).....	110 INCH BBC STEEL CONVENTIONAL CAB
Sleeper (682) .....	NO SLEEPER BOX/SLEEPERCAB
Exhaust System (016).....	RH OUTBOARD UNDER STEP MOUNTED HORIZONTAL AFTERTREATMENT SYSTEM ASSEMBLY WITH RH B-PILLAR MOUNTED VERTICAL TAILPIPE

### TABLE SUMMARY - DIMENSIONS



Prepared for:  
 Fleet Manager  
 City of San Antonio  
 329 S Frio  
 San Antonio, TX 78207  
 Phone: 210-207-7000

Prepared by:  
 ROCKY SHOFFSTALL  
 GRANDE TRUCK CENTER  
 4562 IH 10 EAST  
 SAN ANTONIO, TX 78219  
 Phone: (210)-661-4121

Dimensions	Inches
Bumper to Back of Cab (BBC)	109.0
Bumper to Centerline of Front Axle (BA)	27.8
Min. Cab to Body Clearance (CB)	3.0
Back of Cab to Centerline of Rear Axle(s) (CA)	123.8
Effective Back of Cab to Centerline of Rear Axle(s) (Effective CA)	120.8
Back of Cab Protrusions (Exhaust/Intake) (CP)	2.0
Back of Cab Protrusions (Side Extenders/Trim Tab) (CP)	0.0
Back of Cab Protrusions (CNG Tank)	0.0
Back of Cab Clearance (CL)	3.0
Back of Cab to End of Frame	198.8
Cab Height (CH)	73.5
Wheelbase (WB)	205.0
Frame Overhang (OH)	75.0
Overall Length (OAL)	307.8
Rear Axle Spacing	0.0
Unladen Frame Height at Centerline of Rear Axle	41.1

Performance calculations are estimates only. If performance calculations are critical, please contact Customer Application Engineering.



## Construction Trucks and Equipment

710 N. 21st Ave  
Phoenix Az 85009

602-443-8280  
www.cotreq.com

11/23/2015



### Single Axle 5 Product Lube Truck

#### 2016 CTE Single Axle Hydraulic Operated Lube Bed

s/n 2100-xxx

##### Fuel

none

##### Oil Products

1 - 150 gal oil product tank with CTE hyd driven product pump  
15w/40 engine oil

4 - 75 gal oil product tanks with CTE hyd driven product pumps  
Hydraulic oil

30w

46 Hyd oil

90w

Reelcraft reels with 50 ft of 1/2" hose and nozzle

Metered product nozzles

1 micron air breather filter on each tank

Fastfill couplers on all product tanks

##### Waste

150 Gallon Waste Oil recovery system with 1:1 diaphragm pump

Used filter container

Reel cabinet sump and holding tank

Reelcraft reel with 50 ft of 1.25" hose

##### AntiFreeze

75 Gallon SS Water/Antifreeze tank with 1:1 diaphragm pump

Reelcraft reel with 50 ft of 3/8" hose

##### Grease

120 LB grease station with Raasm 50:1 grease pump

Reelcraft reel with 50 ft of 3/8" hose

##### Air

35 CFM direct drive hydraulically driven air compressor with 30 gal reservoir

Reelcraft reel with 50ft of 3/8" hose

##### Features

PTO driven load sense hydraulic pump

Suction strainer, vacuum gauge, 10 micron return filter

Front of body vertical storage cabinets

Full width single rear rollup door

4 drawer tool cabinet and drain pan in rear reel cabinet

12v outlet in reel cabinet

5000 watt 12v / 110v inverter

Lockable lighted under tank storage compartments

Battery cut-off switch

Hazmat spill kit

Whelen light package per spec

Painted DuPont Imron Epoxy white

##### Mounted On

customer supplied chassis

F.O.B. Phoenix AZ not including license or taxes

\$86,650.00

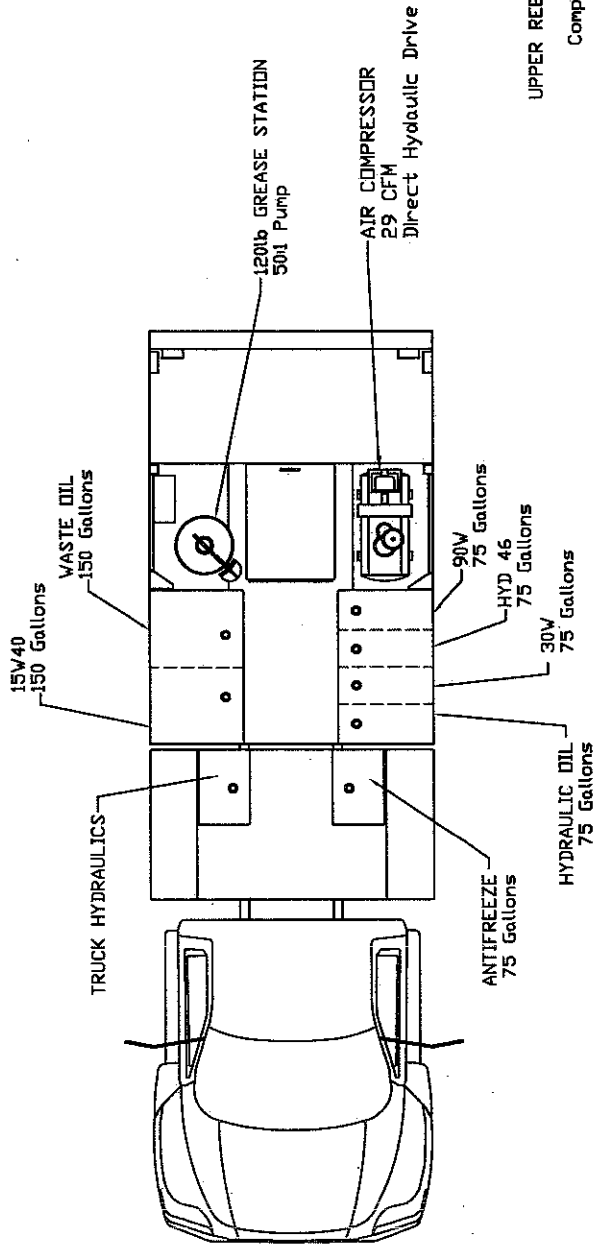
Delivery to San Antonio

\$2,800.00

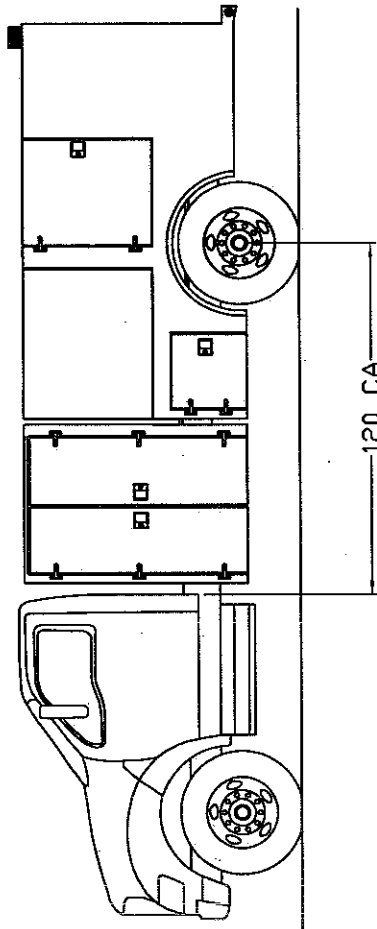
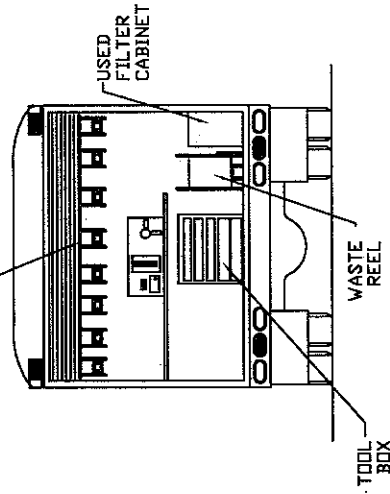
delivery to be approx 9-10 weeks ARO

50% deposit required to begin construction





UPPER REEL CABINET  
Products  
Compressed Air  
Grease  
Antifreeze



**PROPRIETARY DATA**  
This document and the information herein is the exclusive property of CONSTRUCTION TRUCKS and EQUIPMENT. Unauthorized use, disclosure or reproduction in whole or in part is prohibited.

PREPARED FOR	GRANDE FORD
<b>Construction Trucks and Equipment</b> PHOENIX, ARIZONA	
DRAWING No.	CTE 1151
REVISION	B



The Knapheide Manufacturing Company  
 1848 Westphalia Strasse  
 P.O. Box 7140  
 Quincy, Illinois 62305-7140

www.knapheide.com

## QUOTATION

Quote Number: L6129-15  
 Quote Date: 11/25/2015  
 Quote Expires: 02/14/2016  
 Quote Quantity: 2

### Customer Information

Customer: Knapheide TRUCK EQ SW - RED OA  
 Customer Number: 27185  
 Contact: ROBERT HILL

End Customer: SAN ANTONIO CITY OF TX  
 (IFB) NO. 610006820  
 ITEM #7

### Vehicle Information

Make:  
 Model: 33K GVW  
 Year: 2016  
 Axle:  
 Fuel Type:

CA:  
 WB:  
 GVWR:  
 Cab:  
 Fuel Tank(s):

Engine:  
 Trans:  
 2/4 WD:  
 Exhaust:  
 Off-Road:

### Quote Information

Quantity	Item Description
1	14' LUBE PLATFORM -1/8" STEEL FLOOR -96" WIDE -PLATFORM WEAR STRIPS
1	COMPARTMENT, FILTER SP 50 GALLON CAPACITY
1	REAR REEL CABINET LOW FLOOR DESIGN WITH TUBULAR STYLE REAR BUMPER & MOUNTS FOR REELS & PUMPS.
1	STREET SIDE ABOVE BODY STORAGE COMPARTMENT - 114"W X 60"H X 22"D - THREE SEPARATE COMPARTMENTS WITH STAINLESS STEEL 3PT T-LATCHES. (3) SHELVES PER COMPARTMENT
1	CURB SIDE ABOVE BODY STORAGE COMPARTMENT - 60"W X 32"H X 22"D WITH OVERLAP DOORS & STAINLESS STEEL 3PT T-LATCH
1	DOOR & ACCESS STEPS TO ACCESS LOAD DECK & STORAGE TANKS. 29.25"W X 57.5"H WITH SINGLE POINT LATCH. STEPS INTEGRATED INTO LOWER BODY OR FOLD DOWN LADDER - MINIMUM 2 STEPS & 2 GRAB HANDLES
1	TANK ISOLATORS
1	LIGHTING -ALL 12V DC IN-LINE WIRING CONNECTORS WILL UTILIZE SEALED HINGE LOCK CONNECTORS. MAIN POWER SHALL BE CIRCUIT PROTECTED AT THE SOURCE & ACTIVATED VIA A POWER DISTRIBUTION RELAY. MAIN POWER & GROUNDING CABLING TO BE COLOR CODED & LABELED BY FUNCTION. ALL ELECTRICAL FUNCTION WIRING THAT EXITS THE ELECTRICAL CONTROL STATION WHITE GXL-TYPE WITH EACH WIRE WILL HAVE FUNCTION INKJET PRINTED ONTO IT IN 3"

(CONTINUED)



The Knapheide Manufacturing Company  
1848 Westphalia Strasse  
P.O. Box 7140  
Quincy, Illinois 62305-7140  
  
www.knapheide.com

## QUOTATION

Quote Number: L6129-15  
Quote Date: 11/25/2015  
Quote Expires: 02/14/2016  
Quote Quantity: 2

### Quote Information

Quantity

Item Description

INTERVALS. ALL 12V DC WIRE HARNESS SHALL BE OVER-BRADED WITH HIGH TEMPERATURE RESISTANT NYLON YARN. THE HARNESS SHALL FEATURE A WEAVE TIGHTNESS OF 12 PICKS PER INCH ALL DOT LIGHTING FLUSH MOUNTED OR RECESSED  
-(6) ADJUSTABLE LED WORK LIGHTS  
-(1) WEATHER RESISTANT CONTROL BOX WITH INDIVIDUALLY CONTROLLED (LIGHTED, FUSED, & ENVIRONMENTALLY SEALED) -70 AMP RELAY POWERED BY IGNITION SWITCH TO PROVIDE POWER TO MAIN SYSTEM. CONTROL BOX WILL BE USED TO CONTROL THE HYDRAULICS TO EACH PUMP INDIVIDUALLY VIA AN ELECTRICAL SWITCH WITH INDICATOR LIGHT.

1 AIMS 5000W PURE SINE WAVE  
1 CABLE KIT 5K INVERTER  
1 GREASE BARREL RETAINER  
1 FIRE EXTINGUISHER - 20LB  
1 FIRE EXTINGUISHER BRACKET  
1 TRIANGLE REFLECTOR KIT  
1 LUBE SYSTEM  
(1) 135 GALLON FRESH OIL TANK  
(4) 75 GALLON FRESH OIL TANKS  
-EACH SYSTEM TO HAVE 2" LOCKABLE VENTED FILL CAP  
-1 MICRON BREATHER FILTER & 1" BOTTOM SUCTION PORT  
-HYDRAULIC PUMPING SYSTEM FOR EACH FRESH PRODUCT. ON-OFF VALVE & CAPABLE OF SUSTAINED DELIVERY RATE OF 12 GPM. PUMP WILL SUPPLY THE MANIFOLD CONSISTING OF MULTIPLE OIL SYSTEM PUMPS. MANIFOLD TO PROVIDE HYDRAULIC POWER FOR THE PUMPS. MANIFOLD MOUNTED IN RIGHT HAND BOTTOM OF HOSE REEL COMPARTMENT OR UNDER FLOOR  
-DUAL PED SPRING RETRACT HOSE REELS WITH 50'X1/2" HOSE & BALL STOPS FOR ALL FRESH OIL TANKS  
-(1) 75 GALLON COOLANT TANK WITH 2" LOCKABLE VENTED FILL CAP, 1 MICRON BREATHER FILTER & 1" BOTTOM SUCTION PORT. PNEUMATIC OR HYDRAULIC PUMP WITH ON-OFF VALVE & SUSTAINED DELIVERY OF 12 GPM. DUAL PED SPRING RETRACT HOSE REEL WITH 1/2"X50' HOSE & BALL STOP  
(1) 135 GALLON USED OIL SYSTEM WITH 2" LOCKABLE VENTED FILL CAP, 1

(CONTINUED)





SINCE 1948

The Knapheide Manufacturing Company  
1848 Westphalia Strasse  
P.O. Box 7140  
Quincy, Illinois 62305-7140

www.knapheide.com

# QUOTATION

Quote Number: L6129-15  
Quote Date: 11/25/2015  
Quote Expires: 02/14/2016  
Quote Quantity: 2

## Quote Information

<u>Quantity</u>	<u>Item Description</u>
	MICRON BREATHER FILTER & 1" BOTTOM SUCTION PORT. PNEUMATIC PUMP WITH ON-OFF VALVE. DUAL PED SPRING RETRACT HOSE REEL WITH 1-1/4"X35' HOSE & BALL STOP
	(1) MAIN HYDRAULIC TANK. SUCTION STRAINER 1000 MICRON ELEMENT & VACUUM GAUGE. RETURN FILTER MINIMUM 25 MICRON ELEMENT
	(1) DUAL PED SPRING RETRACT HOSE REEL FOR AIR WITH 1/2"X50' HOSE & BALL STOP
	(1) 120# GREASE SYSTEM WITH 50:1 PNEUMATIC 50:1 PUMP WITH TIE DOWN KIT & FOLLOWER PLATE
	DUAL PED SPRING RETRACT HOSE REEL WITH 3/8"X50' HOSE & BALL STOP
	-(5) HIGH PRESSURE FILTERS FOR FRESH OIL SYSTEMS WITH 10 MICRON RATED FILTERS
1	AUXILIARY PLATFORM APPROX 58"X96" TO ACCOMMODATE DIESEL FUEL TANK; SAME CONTAINMENT SYSTEM AS MAIN PLATFORM
1	485 GALLON DIESEL TANK WITH PNEUMATIC FUEL PUMP & DUAL PED SPRING RETRACT HOSE REEL WITH 1"X50' HOSE WITH AUTO SHUTOFF NOZZLE WITH SWIVEL
1	FUEL KIT INCLUDES: PLACARDS, EMERGENCY FUEL SHUTOFF, & MECHANICAL FUEL METER
2	GRAB RAILS
1	PAINT BODY SINGLE STAGE TO MATCH CAB
1	BOSS I35 HYDR COMPRESSOR 35 CFM @ 150 PSI
1	1/2" FLR SYSTEM
1	PTO
1	HYDRAULIC PUMP
1	ALUMINUM ROLLUP REAR DOOR
1	BACK UP ALARM
1	TRAFFIC ADVISOR, TIR6 LED, LOW PROFILE TAM65 6 LAMP
4	WHELEN VERTEX VTX609A
1	LIGHT BAR,16"MINI-CENTURY MC16PA
1	PLACARDS (2) PERMANENT & (1) FLIP STYLE EACH SIDE OF TRUCK
2	STATIC STRAPS
1	FIRE EXTINGUISHR 2.5# ABC AMEREX #B417T (W/BRACKET)
2	DECAL,FIRE EXTINGUISHER

(CONTINUED)



The Knapheide Manufacturing Company  
 1848 Westphalia Strasse  
 P.O. Box 7140  
 Quincy, Illinois 62305-7140

www.knapheide.com

## QUOTATION

Quote Number: L6129-15  
 Quote Date: 11/25/2015  
 Quote Expires: 02/14/2016  
 Quote Quantity: 2

### Quote Information

Quantity	Item Description
1	5-GALLON HAZMAT SPILL KIT JJ KELLER 731-R (4) 3" X 4' HAZMAT SORBENT SOCKS (6) 16" X 20" MEDIUM-WEIGHT SORBENT PADS (1) TEMPORARY DISPOSAL BAG (1) PAIR CLEAR GOGGLES WITH PERFORATED VENTING (1) PAIR NITRILE GLOVES (1) EMERGENCY RESPONSE GUIDEBOOK (4" X 5-1/4") (1) 5-GALLON WHITE, SNAP-LID PAIL - UN-CERTIFIED 1H2/200S
6	WIGGINS ON2 RECEIVER FOR ALL FRESH PRODUCT SYSTEMS & COOLANT
2	FULL HEIGHT VERTICAL COMPARTMENTS FOR AUX FUEL PLATFORM

### Pricing Information

Quantity	Sell Price
1	\$109,875 (Per Each)
TERMS: NET 30 DAYS	

### Delivery Details

Total Prices are F.O.B.: SAN ANTONIO, TX  
 Installer Location: TAYLOR, MO  
 Ship Via: DR AWAY SP

### Additional Available Options

Option#	Quantity	Item Description	Price
---------	----------	------------------	-------

### Body Specifications

**PRICES SUBJECT TO THE FOLLOWING:**

1. Price shown reflects the latest price in U.S. Dollars.
2. Quoted price good on orders received through expiration date.
3. Price applies to quantity quoted only - any change in quantity may result in a price change.
4. Price subject to all state, local and federal excise taxes.
5. Prices subject to change.

**CANCELLATION CHARGES WILL BE PRO-RATED DEPENDING ON THE DEGREE OF COMPLETION OF ORDER. CANCELLATION CHARGES AS FOLLOWS:**

- \* DESIGN COMPLETED - CURRENT ENGINEERING RATE x HOUR NEEDED TO COMPLETE THE DESIGN
- \* ORDER IN SHOP - 50% OF THE QUOTED PRICE
- \* FABRICATION COMPLETE - 75% OF THE QUOTED PRICE
- \* PRODUCT COMPLETE - 100% OF THE QUOTED PRICE

Knapheide thanks you for the opportunity to quote.  
 To place an order, or if you have any questions, please contact:

MATTHEW ALLEN  
 (217) 592-5204  
 mallen@knapheide.com

Prepared for:  
Fleet Manager  
City of San Antonio  
329 S Frio  
San Antonio, TX 78207  
Phone: 210-207-7000

Prepared by:  
ROCKY SHOFFSTALL  
GRANDE TRUCK CENTER  
4562 IH 10 EAST  
SAN ANTONIO, TX 78219  
Phone: (210)-661-4121

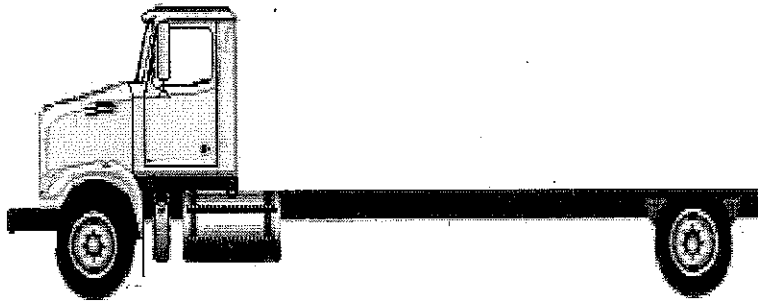
*Item 8  
1 EA  
- Wire Rope  
Air Line  
Loose wheel  
Exhaust ext  
Wrench*

*A proposal for  
City of San Antonio*

*Prepared by  
GRANDE TRUCK CENTER  
ROCKY SHOFFSTALL*

*Dec 05, 2015*

**Western Star 4700SF**



Components shown may not reflect all spec'd options and are not to scale

Prepared for:  
 Fleet Manager  
 City of San Antonio  
 329 S Frio  
 San Antonio, TX 78207  
 Phone: 210-207-7000

Prepared by:  
 ROCKY SHOFFSTALL  
 GRANDE TRUCK CENTER  
 4562 IH 10 EAST  
 SAN ANTONIO, TX 78219  
 Phone: (210)-661-4121

## S P E C I F I C A T I O N P R O P O S A L

Data Code	Description	Weight Front	Weight Rear	Retail Price
<b>Price Level</b>				
PRL-14T	WESTERN STAR 4700 PRL-14T (EFF:10/05/15)			STD
<b>Data Version</b>				
DRL-007	SPECPRO21 DATA RELEASE VER 007			N/C
<b>Vehicle Configuration</b>				
001-450	4700 SET-FORWARD FRONT AXLE CHASSIS	9,094	6,876	\$164,240.00
004-217	2017 MODEL YEAR SPECIFIED			STD
002-003	SET FORWARD AXLE - TRUCK			STD
019-002	STRAIGHT TRUCK PROVISION			STD
003-001	LH PRIMARY STEERING LOCATION			STD
<b>General Service</b>				
AA1-002	TRUCK CONFIGURATION			STD
AA6-001	DOMICILED, USA 50 STATES (INCLUDING CALIFORNIA AND CARB OPT-IN STATES)			STD
A85-011	CONSTRUCTION SERVICE			STD
A84-1CO	CONSTRUCTION BUSINESS SEGMENT			STD
AA4-003	DRY BULK COMMODITY			STD
AA5-002	TERRAIN/DUTY: 100% (ALL) OF THE TIME, IN TRANSIT, IS SPENT ON PAVED ROADS			STD
AB1-008	MAXIMUM 8% EXPECTED GRADE			STD
AB5-001	SMOOTH CONCRETE OR ASPHALT PAVEMENT - MOST SEVERE IN-TRANSIT (BETWEEN SITES) ROAD SURFACE			STD
995-1A5	WESTERN STAR VOCATIONAL WARRANTY			STD
A66-99D	EXPECTED FRONT AXLE(S) LOAD : 14000.0 lbs			
A68-99D	EXPECTED REAR DRIVE AXLE(S) LOAD : 23000.0 lbs			
A63-99D	EXPECTED GROSS VEHICLE WEIGHT CAPACITY : 37000.0 lbs			
<b>Truck Service</b>				
AA3-004	END DUMP BODY			STD



Prepared for:  
 Fleet Manager  
 City of San Antonio  
 329 S Frio  
 San Antonio, TX 78207  
 Phone: 210-207-7000

Prepared by:  
 ROCKY SHOFFSTALL  
 GRANDE TRUCK CENTER  
 4562 IH 10 EAST  
 SAN ANTONIO, TX 78219  
 Phone: (210)-661-4121

Data Code	Description	Weight Front	Weight Rear	Retail Price
<b>Engine</b>				
101-2XD	CUM ISL 330 HP @ 2000 RPM, 2200 GOV RPM, 1000 LB/FT @ 1400 RPM ✓	-850	-70	(\$12,582.00)
<b>Electronic Parameters</b>				
79A-060	60 MPH ROAD SPEED LIMIT			N/C
79B-000	CRUISE CONTROL SPEED LIMIT SAME AS ROAD SPEED LIMIT			N/C
79K-007	PTO MODE ENGINE RPM LIMIT - 1100 RPM			N/C
79P-002	PTO RPM WITH CRUISE SET SWITCH - 700 RPM			N/C
79Q-003	PTO RPM WITH CRUISE RESUME SWITCH - 800 RPM			N/C
79S-001	PTO MODE CANCEL VEHICLE SPEED - 5 MPH			N/C
79U-007	PTO GOVERNOR RAMP RATE - 250 RPM PER SECOND			N/C
80G-002	PTO MINIMUM RPM - 700			N/C
80J-002	REGEN INHIBIT SPEED THRESHOLD - 5 MPH			N/C
<b>Engine Equipment</b>				
99C-016	2016 ONBOARD DIAGNOSTICS/2010 EPA/CARB/GHG14			N/C
99D-011	2008 CARB EMISSION CERTIFICATION - CLEAN IDLE (INCLUDES 6X4 INCH LABEL ON LOWER FORWARD CORNER OF DRIVER DOOR)			\$106.00
PMT-998	NO 2013 ENGINE ESCALATOR			STD
13E-001	STANDARD OIL PAN			STD
105-001	ENGINE MOUNTED OIL CHECK AND FILL			STD
133-004	ONE PIECE VALVE COVER			STD
014-099	SIDE OF HOOD AIR INTAKE WITH FIREWALL MOUNTED DONALDSON AIR CLEANER			STD
124-1D7	DR 12V 160 AMP 28-SI QUADRAMOUNT PAD ALTERNATOR WITH REMOTE BATTERY VOLT SENSE ✓			STD
292-148	(3) ALLIANCE ABSORBED GLASS MAT MODEL 7A31, GROUP 31, 12 VOLT MAINTENANCE FREE 2190.CCA THREADED STUD BATTERIES ✓			STD
290-1AC	PASSENGER SEAT BATTERY BOX VENTED TO OUTSIDE OF CAB			STD
282-013	BATTERY BOX MOUNTED UNDER PASSENGER SEAT			STD
291-017	WIRE GROUND RETURN FOR BATTERY CABLES WITH ADDITIONAL FRAME GROUND RETURN			STD
289-006	PLASTIC BATTERY BOX COVER			STD



Prepared for:  
 Fleet Manager  
 City of San Antonio  
 329 S Frio  
 San Antonio, TX 78207  
 Phone: 210-207-7000

Prepared by:  
 ROCKY SHOFFSTALL  
 GRANDE TRUCK CENTER  
 4562 IH 10 EAST  
 SAN ANTONIO, TX 78219  
 Phone: (210)-661-4121

Data Code	Description	Weight Front	Weight Rear	Retail Price
293-061	POSITIVE LOAD DISCONNECT WITH CONTROL SWITCH WITH LOCKING PROVISION MOUNTED OUTSIDE OF CAB	2	✓	\$158.00
295-029	POSITIVE AND NEGATIVE POSTS FOR JUMPSTART LOCATED ON FRAME NEXT TO STARTER	2		\$86.00
107-032	CUMMINS TURBOCHARGED 18.7 CFM AIR COMPRESSOR WITH INTERNAL SAFETY VALVE			N/C
131-013	AIR COMPRESSOR DISCHARGE LINE			STD
152-041	ELECTRONIC ENGINE INTEGRAL SHUTDOWN PROTECTION SYSTEM			STD
016-1C3	RH OUTBOARD UNDER STEP MOUNTED HORIZONTAL AFTERTREATMENT SYSTEM ASSEMBLY WITH RH HORIZONTAL TAILPIPE	-50	✓	(\$527.00)
28F-002	ENGINE AFTERTREATMENT DEVICE, AUTOMATIC OVER THE ROAD REGENERATION AND DASH MOUNTED REGENERATION REQUEST SWITCH		✓	STD
239-001	STANDARD EXHAUST SYSTEM LENGTH		✓	N/C
237-052	RH STANDARD HORIZONTAL TAILPIPE		✓	N/C
23U-001	6 GALLON DIESEL EXHAUST FLUID TANK		✓	STD
30N-003	100 PERCENT DIESEL EXHAUST FLUID FILL			STD
23Y-001	STANDARD DIESEL EXHAUST FLUID PUMP MOUNTING			STD
43X-002	LH MEDIUM DUTY STANDARD DIESEL EXHAUST FLUID TANK LOCATION			STD
242-998	NO MUFFLER/TAIPIPE SHIELD	-10		N/C
273-018	HORTON DRIVEMASTER ON/OFF FAN DRIVE			N/C
276-001	AUTOMATIC FAN CONTROL WITHOUT DASH SWITCH, NON ENGINE MOUNTED			STD
110-003	CUMMINS SPIN ON FUEL FILTER			N/C
118-008	COMBINATION FULL FLOW/BYPASS OIL FILTER			N/C
266-017	1300 SQUARE INCH ALUMINUM RADIATOR	-20		N/C
267-006	MOUNTING FOR FIREWALL MOUNTED SURGE TANK			STD
103-039	ANTIFREEZE TO -34F, OAT (NITRITE AND SILICATE FREE) EXTENDED LIFE COOLANT			(\$10.00)
171-007	GATES BLUE STRIPE COOLANT HOSES OR EQUIVALENT			STD
172-001	CONSTANT TENSION HOSE CLAMPS FOR COOLANT HOSES			STD
270-016	RADIATOR DRAIN VALVE			N/C
138-011	PHILLIPS-TEMRO 1000 WATT/115 VOLT BLOCK HEATER	4		N/C



Prepared for:  
 Fleet Manager  
 City of San Antonio  
 329 S Frio  
 San Antonio, TX 78207  
 Phone: 210-207-7000

Prepared by:  
 ROCKY SHOFFSTALL  
 GRANDE TRUCK CENTER  
 4562 IH 10 EAST  
 SAN ANTONIO, TX 78219  
 Phone: (210)-661-4121

Data Code	Description	Weight Front	Weight Rear	Retail Price
166-002	PHILLIPS-TEMRO 150 WATT/115 VOLT OIL PREHEATER	4		N/C
140-022	CHROME ENGINE HEATER RECEPTACLE MOUNTED UNDER LH DOOR			STD
134-001	ALUMINUM FLYWHEEL HOUSING			STD
132-004	ELECTRIC GRID AIR INTAKE WARMER			N/C
155-058	DELCO 12V 38MT HD STARTER WITH INTEGRATED MAGNETIC SWITCH	-10		N/C

**Transmission**

342-582	ALLISON 3000 RDS AUTOMATIC TRANSMISSION WITH PTO PROVISION	✓ -110	-35	\$7,966.00
---------	--	--------	-----	------------

**Transmission Equipment**

343-339	ALLISON VOCATIONAL PACKAGE 223 - AVAILABLE ON 3000/4000 PRODUCT FAMILIES WITH VOCATIONAL MODELS RDS, HS, MH AND TRV			N/C
84B-012	ALLISON VOCATIONAL RATING FOR ON/OFF HIGHWAY APPLICATIONS AVAILABLE WITH ALL PRODUCT FAMILIES			N/C
84C-023	PRIMARY MODE GEARS, LOWEST GEAR 1, START GEAR 1, HIGHEST GEAR 6, AVAILABLE FOR 3000/4000 PRODUCT FAMILIES ONLY			N/C
84D-023	SECONDARY MODE GEARS, LOWEST GEAR 1, START GEAR 1, HIGHEST GEAR 6, AVAILABLE FOR 3000/4000 PRODUCT FAMILIES ONLY			N/C
341-018	MAGNETIC PLUGS, ENGINE DRAIN, TRANSMISSION DRAIN, AXLE(S) FILL AND DRAIN			N/C
345-003	PUSH BUTTON ELECTRONIC SHIFT CONTROL, DASH MOUNTED			N/C
97G-004	TRANSMISSION PROGNOSTICS - ENABLED 2013			N/C
370-015	WATER TO OIL TRANSMISSION COOLER, IN RADIATOR END TANK			STD
346-003	TRANSMISSION OIL CHECK AND FILL WITH ELECTRONIC OIL LEVEL CHECK			N/C
35T-001	SYNTHETIC TRANSMISSION FLUID (TES-295 COMPLIANT)			N/C

**Front Axle and Equipment**

400-1A8	DETROIT DA-F-14.7-3 14,700# FF1 71.5 KPI/3.74 DROP SINGLE FRONT AXLE	✓	-190	(\$793.00)
402-083	BENDIX ADB22X-V AIR DISC FRONT BRAKES	✓	68	\$1,233.00
403-002	NON-ASBESTOS FRONT BRAKE LINING			STD
419-004	FRONT DISC BRAKE ROTORS			N/C
409-021	SKF SCOTSEAL PLUS XL FRONT OIL SEALS			STD



Prepared for:  
 Fleet Manager  
 City of San Antonio  
 329 S Frio  
 San Antonio, TX 78207  
 Phone: 210-207-7000

Prepared by:  
 ROCKY SHOFFSTALL  
 GRANDE TRUCK CENTER  
 4562 IH 10 EAST  
 SAN ANTONIO, TX 78219  
 Phone: (210)-661-4121

Data Code	Description	Weight Front	Weight Rear	Retail Price
408-001	VENTED FRONT HUB CAPS WITH WINDOW, CENTER AND SIDE PLUGS - OIL			STD
416-022	STANDARD SPINDLE NUTS FOR ALL AXLES			STD
405-030	FRONT AIR DISC BRAKE INTERNAL ADJUSTERS			N/C
406-001	STANDARD KING PIN BUSHINGS			STD
N 536-012	TRW TAS-85 POWER STEERING			STD
539-003	POWER STEERING PUMP			STD
534-003	4 QUART POWER STEERING RESERVOIR	5		\$51.00
40T-003	SYNTHETIC 50W FRONT AXLE LUBE			STD
<b>Front Suspension</b>				
620-004	16,000# FLAT LEAF FRONT SUSPENSION			STD
619-004	GRAPHITE BRONZE BUSHINGS WITH SEALS - FRONT SUSPENSION			STD
410-001	FRONT SHOCK ABSORBERS ✓			\$215.00
<b>Rear Axle and Equipment</b>				
420-051	RS-23-160 23,000# R-SERIES SINGLE REAR AXLE ✓		-2,415	(\$8,951.00)
421-614	6.14 REAR AXLE RATIO			N/C
424-001	IRON REAR AXLE CARRIER WITH STANDARD AXLE HOUSING			N/C
386-073	MXL 17T MERITOR EXTENDED LUBE MAIN DRIVELINE WITH HALF ROUND YOKES	60	60	\$828.00
452-001	DRIVER CONTROLLED TRACTION DIFFERENTIAL - SINGLE REAR AXLE ✓		20	\$727.00
878-018	(1) DRIVER CONTROLLED DIFFERENTIAL LOCK REAR VALVE FOR SINGLE DRIVE AXLE			N/C
87B-009	INDICATOR LIGHT AND BUZZER FOR EACH DRIVER CONTROLLED TRACTION DEVICE SWITCH			\$29.00
423-083	BENDIX ADB22X-V AIR DISC REAR BRAKES		-5	\$1,434.00
433-002	NON-ASBESTOS REAR BRAKE LINING			STD
434-012	BRAKE CAMS AND CHAMBERS ON REAR SIDE OF DRIVE AXLE(S)			N/C
451-005	REAR DISC BRAKE ROTORS			N/C
425-002	REAR BRAKE DUST SHIELDS		5	\$315.00
440-021	SKF SCOTSEAL PLUS XL REAR OIL SEALS			STD
426-1AH	AIR DISC LONGSTROKE 1-DRIVE AXLE SPRING PARKING CHAMBERS			N/C
428-030	REAR AIR DISC BRAKE INTERNAL ADJUSTERS			N/C
41T-002	SYNTHETIC 75W-90 REAR AXLE LUBE			STD

**Rear Suspension**





Prepared for:  
 Fleet Manager  
 City of San Antonio  
 329 S Frio  
 San Antonio, TX 78207  
 Phone: 210-207-7000

Prepared by:  
 ROCKY SHOFFSTALL  
 GRANDE TRUCK CENTER  
 4562 IH 10 EAST  
 SAN ANTONIO, TX 78219  
 Phone: (210)-661-4121

Data Code	Description	Weight Front	Weight Rear	Retail Price
622-003	23,000# FLAT LEAF SPRING REAR SUSPENSION WITH HELPER AND RADIUS ROD		30	(\$4,416.00)
621-001	SPRING SUSPENSION - NO AXLE SPACERS			N/C
431-001	STANDARD AXLE SEATS IN AXLE CLAMP GROUP			N/C
623-005	FORE/AFT CONTROL RODS			N/C
<b>Brake System</b>				
490-100	WABCO 4S/4M ABS WITHOUT TRACTION CONTROL ✓			STD
871-001	REINFORCED NYLON, FABRIC BRAID AND WIRE BRAID CHASSIS AIR LINES			STD
904-001	FIBER BRAID PARKING BRAKE HOSE			STD
412-001	STANDARD BRAKE SYSTEM VALVES			STD
432-003	RELAY VALVE WITH 5-8 PSI CRACK PRESSURE, NO REAR PROPORTIONING VALVE			STD
480-083	WABCO SS-1200 PLUS AIR DRYER WITH INTEGRAL AIR GOVERNOR AND HEATER ✓			STD
483-004	WABCO OIL COALESCING FILTER FOR AIR DRYER			STD
479-004	AIR DRYER MOUNTED OUTBOARD ON LH RAIL			STD
460-095	STEEL AIR BRAKE RESERVOIRS MOUNTED PERPENDICULAR RH UNDER CAB	15	5	\$348.00
477-006	BW DV-2 AUTO DRAIN VALVE WITHOUT HEATER ON ALL TANK(S)			\$84.00
<b>Wheelbase &amp; Frame</b>				
545-735	7350MM (290 INCH) WHEELBASE ✓			N/C
546-102	7/16X3-9/16X11-1/8 INCH STEEL FRAME (11.11MMX282.6MM/0.437X11.13 INCH) 120KSI ✓	810	90	\$2,043.00
547-001	1/4 INCH (6.35MM) C-CHANNEL INNER FRAME REINFORCEMENT ✓	251	471	\$1,335.00
552-037	1775MM (70 INCH) REAR FRAME OVERHANG			N/C
55W-006	FRAME OVERHANG RANGE: 61 INCH TO 70 INCH			N/C
549-016	24 INCH INTEGRAL FRONT FRAME EXTENSION WITH 0.25 INCH INSERT	330	-60	\$994.00
AC8-99D	CALC'D BACK OF CAB TO REAR SUSP C/L (CA) : 208.78 in			
AE8-99D	CALCULATED EFFECTIVE BACK OF CAB TO REAR SUSPENSION C/L (CA) : 205.78 in			
AE4-99D	CALC'D FRAME LENGTH - OVERALL : 411.69			
AM6-99D	CALC'D SPACE AVAILABLE FOR DECKPLATE : 208.78 in			



Prepared for:  
 Fleet Manager  
 City of San Antonio  
 329 S Frio  
 San Antonio, TX 78207  
 Phone: 210-207-7000

Prepared by:  
 ROCKY SHOFFSTALL  
 GRANDE TRUCK CENTER  
 4562 IH 10 EAST  
 SAN ANTONIO, TX 78219  
 Phone: (210)-661-4121

Data Code	Description	Weight Front	Weight Rear	Retail Price
FSS-0LH	CALCULATED FRAME SPACE LH SIDE : 187.68 in			N/C
FSS-0RH	CALCULATED FRAME SPACE RH SIDE : 198.45 in			N/C
553-001	SQUARE END OF FRAME			STD
559-001	STANDARD WEIGHT ENGINE CROSSMEMBER			STD
562-001	STANDARD MIDSHIP #1 CROSSMEMBER(S)			STD
572-001	STANDARD REARMOST CROSSMEMBER			STD
565-002	HEAVY DUTY SUSPENSION CROSSMEMBER			STD
568-001	STANDARD WEIGHT REAR SUSPENSION CROSSMEMBER			STD

**Chassis Equipment**

N	556-1EE	16 INCH PAINTED STEEL BUMPER		STD
	574-001	BUMPER MOUNTING FOR SINGLE LICENSE PLATE		STD
	586-015	FRONT ANTI-SPRAY CAB MOUNTED MUDFLAPS		STD
	551-007	GRADE 8 THREADED HEX HEADED FRAME FASTENERS		STD

**Fuel Tanks**

	204-154	80 GALLON/302 LITER ALUMINUM FUEL TANK - LH	✓	10	\$58.00
	218-006	25 INCH DIAMETER FUEL TANK(S)			STD
	215-005	PLAIN ALUMINUM/PAINTED STEEL FUEL/HYDRAULIC TANK(S) WITH PAINTED BANDS			STD
	212-007	FUEL TANK(S) FORWARD			STD
	664-001	PLAIN STEP FINISH			STD
	207-005	FUEL TANK FILLER NECK ANTI-SIPHON INSERT	✓		\$37.00
	205-001	FUEL TANK CAP(S)			STD
	122-075	ALLIANCE FUEL FILTER/WATER SEPARATOR	✓	15	N/C
	216-020	EQUIFLO INBOARD FUEL SYSTEM			STD
	202-016	HIGH TEMPERATURE REINFORCED NYLON FUEL LINE			STD
	221-001	FUEL COOLER			STD

**Tires**

	093-0TD	MICHELIN XZY-3 315/80R22.5 20 PLY RADIAL FRONT TIRES	✓	80	\$570.00
	094-0DJ	MICHELIN XDE M/S 11R22.5 16 PLY RADIAL REAR TIRES	✓		44 \$48.00

**Hubs**



Prepared for:  
 Fleet Manager  
 City of San Antonio  
 329 S Frio  
 San Antonio, TX 78207  
 Phone: 210-207-7000

Prepared by:  
 ROCKY SHOFFSTALL  
 GRANDE TRUCK CENTER  
 4562 IH 10 EAST  
 SAN ANTONIO, TX 78219  
 Phone: (210)-661-4121

Data Code	Description	Weight Front	Weight Rear	Retail Price
418-056	CONMET PRESET PLUS IRON FRONT HUBS			STD
450-056	CONMET PRESET PLUS IRON REAR HUBS			STD
<b>Wheels</b>				
502-433	ACCURIDE 29039 22.5X9.00 10-HUB PILOT 5.25 INSET 5-HAND STEEL DISC FRONT WHEELS	66		STD
505-428	ACCURIDE 28828 22.5X8.25 10-HUB PILOT 2- HAND HD STEEL DISC REAR WHEELS		52	STD
496-011	FRONT WHEEL MOUNTING NUTS			STD
497-011	REAR WHEEL MOUNTING NUTS			STD
<b>Cab Exterior</b>				
829-1A8	110 INCH BBC STEEL CONVENTIONAL CAB			STD
82A-023	WESTERN STAR PAINTED ALUMINUM CAB SKIRT			STD
650-044	AIR CAB MOUNTS WITH CHECK VALVE			STD
648-002	NONREMOVABLE BUGSCREEN MOUNTED BEHIND GRILLE			STD
667-001	FRONT FENDERS			STD
678-034	LH AND RH EXTERIOR GRAB HANDLES WITH RUBBER INSERTS AND RH INTERIOR GRAB HANDLE MOUNTED TO A POST			STD
646-008	STATIONARY BRIGHT FINISH GRILLE			STD
65X-003	CHROME HOOD MOUNTED AIR INTAKE GRILLE			STD
640-008	GALVANEALD STEEL SEVERE SERVICE CAB			STD
644-004	FIBERGLASS HOOD			STD
727-019	SINGLE HADLEY SD-978 26 INCH RECTANGULAR AIR HORN	4		(\$115.00)
726-001	SINGLE ELECTRIC HORN			STD
728-001	SINGLE HORN SHIELD			N/C
657-1AG	DOORS AND IGNITION KEYED THE SAME			STD
575-001	REAR LICENSE PLATE MOUNT END OF FRAME			STD
312-072	SINGLE RECTANGULAR SEALED BEAM HEADLIGHTS WITH BRIGHT BEZELS			STD
302-001	(5) AMBER MARKER LIGHTS			STD
294-001	INTEGRAL STOP/TAIL/BACKUP LIGHTS			STD
300-015	STANDARD FRONT TURN SIGNAL LAMPS			STD
744-1E0	DUAL WEST COAST STAINLESS STEEL HEATED MIRRORS WITH LH AND RH REMOTE ✓			\$413.00
797-001	DOOR MOUNTED MIRRORS			STD
796-001	102 INCH EQUIPMENT WIDTH			STD



Prepared for:  
 Fleet Manager  
 City of San Antonio  
 329 S Frio  
 San Antonio, TX 78207  
 Phone: 210-207-7000

Prepared by:  
 ROCKY SHOFFSTALL  
 GRANDE TRUCK CENTER  
 4562 IH 10 EAST  
 SAN ANTONIO, TX 78219  
 Phone: (210)-661-4121

Data Code	Description	Weight Front	Weight Rear	Retail Price
743-1AC	LH AND RH 8 INCH STAINLESS STEEL CONVEX MIRRORS MOUNTED BELOW PRIMARY MIRRORS	✓		STD
74A-001	RH DOWN VIEW MIRROR			STD
74B-014	RH AND LH VELVAC 8 INCH BRIGHT FINISH HOOD MOUNTED CONVEX MIRRORS WITH SWING ARM BRACKETS, DUAL VIEW	✓	8	\$177.00
729-001	STANDARD SIDE/REAR REFLECTORS			STD
787-020	ELECTRIC DOOR LOCKS, MECHANICAL KEY TUMBLER	✓		\$149.00
764-001	FIBERGLASS EXTERIOR SUN VISOR		24	\$241.00
768-046	17.5X35 INCH TINTED REAR WINDOW			STD
661-006	TINTED DOOR GLASS			STD
654-003	MANUAL DOOR WINDOW REGULATORS			STD
663-002	2-PIECE TINTED CURVED GASKET MOUNTED WINDSHIELD			STD
659-025	2 GALLON WINDSHIELD WASHER RESERVOIR WITHOUT FLUID LEVEL INDICATOR, MOUNTED UNDER CAB, WITH REMOTE FILL			STD

**Cab Interior**

707-1D0	GRAY VINYL BASE INTERIOR			STD
70K-005	BLACK HARD TRIM			STD
706-049	BASE LEFT HAND DOOR TRIM			STD
708-049	BASE RIGHT HAND DOOR TRIM			STD
772-006	BLACK MATS WITH SINGLE INSULATION			STD
785-007	DASH MOUNTED ASH TRAY AND LIGHTER, DRIVER SIDE			STD
691-001	FORWARD ROOF MOUNTED CONSOLE			STD
694-009	PASSENGER SIDE WING DASH MOUNTED GLOVE BOX WITH LOCKING DOOR			STD
693-025	LH AND RH DOOR MAP POCKETS			STD
741-029	COAT HOOK ON RH BACKWALL OF CAB			STD
680-034	TWO-TONE CHARCOAL UPPER/COOL GRAY LOWER SOFT TOUCH WING DASH WITH BLACK DRIVER SIDE COSMETIC UNDER DASH COVER			STD
320-004	STANDARD WIRING			STD
720-003	5 LB. FIRE EXTINGUISHER		10	\$65.00
700-015	HEATER, DEFROSTER AND AIR CONDITIONER WITH COSMETIC COVER			STD
701-010	HVAC DUCTING WITH FOAM MAIN FRESH AIR FILTER AND OUTSIDE PRE-FILTER			STD
703-005	MAIN HVAC CONTROLS WITH RECIRCULATION SWITCH			STD



Prepared for:  
 Fleet Manager  
 City of San Antonio  
 329 S Frio  
 San Antonio, TX 78207  
 Phone: 210-207-7000

Prepared by:  
 ROCKY SHOFFSTALL  
 GRANDE TRUCK CENTER  
 4562 IH 10 EAST  
 SAN ANTONIO, TX 78219  
 Phone: (210)-661-4121

Data Code	Description	Weight Front	Weight Rear	Retail Price
170-015	STANDARD HEATER PLUMBING			STD
130-033	DENSO HEAVY DUTY AIR CONDITIONER COMPRESSOR			STD
698-001	RADIATOR MOUNTED AIR CONDITIONER CONDENSER			STD
702-002	BINARY CONTROL, R-134A			STD
739-001	CAB INSULATION			STD
285-019	AUTOMATIC SELF-RESET CIRCUIT BREAKER IN MAIN DASH POWER DISTRIBUTION BOX AND CIRCUIT BREAKER/FUSE IN AUXILIARY POWER DISTRIBUTION BOXES			\$21.00
324-075	DOOR ACTIVATED DOME LIGHT, UNDER DASH LIGHT AND LH AND RH DOOR MOUNTED COURTESY LIGHTS			STD
655-005	LH AND RH ELECTRIC DOOR LOCKS			N/C
284-023	(1) 12 VOLT POWER SUPPLY IN DASH			\$90.00
722-028	TRIANGULAR REFLECTORS KIT WITHOUT FLARES SHIPPED LOOSE IN CAB	10		\$28.00
756-1DD	BASIC HIGH BACK AIR SUSPENSION DRIVER SEAT WITH 1 CHAMBER AIR LUMBAR, INTEGRATED CUSHION EXTENSION AND REAR CUSHION TILT			STD
760-038	NATIONAL 2 MAN TOOL/BATTERY BOX MID BACK NON SUSPENSION PASSENGER SEAT			\$177.00
758-022	BLACK MORDURA CLOTH DRIVER SEAT COVER			STD
761-023	BLACK MORDURA CLOTH PASSENGER SEAT COVER			STD
763-028	3 POINT HIGH VISIBILITY ORANGE RETRACTOR DRIVER AND PASSENGER AND 2 POINT HIGH VISIBILITY ORANGE RETRACTOR CENTER FRONT SEAT BELTS			\$19.00
532-002	ADJUSTABLE TILT AND TELESCOPING STEERING COLUMN			STD
540-005	2-SPOKE 20 INCH (500MM) BLACK STEERING WHEEL			STD
765-002	DRIVER AND PASSENGER INTERIOR SUN VISORS			STD

**Instruments & Controls**

185-002	Non-adjustable suspended pedals			STD
870-004	STAR GAUGES WITH BLACK BEZELS			STD
732-001	BLACK DRIVER INSTRUMENT PANEL			STD
734-001	BLACK CENTER INSTRUMENT PANEL			STD
486-001	LOW AIR PRESSURE INDICATOR LIGHT AND AUDIBLE ALARM			STD



Prepared for:  
 Fleet Manager  
 City of San Antonio  
 329 S Frio  
 San Antonio, TX 78207  
 Phone: 210-207-7000

Prepared by:  
 ROCKY SHOFFSTALL  
 GRANDE TRUCK CENTER  
 4562 IH 10 EAST  
 SAN ANTONIO, TX 78219  
 Phone: (210)-661-4121

Data Code	Description	Weight Front	Weight Rear	Retail Price
840-002	2 INCH PRIMARY AND SECONDARY AIR PRESSURE GAUGES			STD
198-002	INTAKE MOUNTED AIR RESTRICTION INDICATOR WITH GRADUATIONS			STD
721-001	97 DB BACKUP ALARM		3	\$82.00
149-012	CRUISE CONTROL SWITCHES IN THE CENTER PANEL			STD
156-007	KEY OPERATED IGNITION SWITCH AND INTEGRAL START POSITION; 4 POSITION OFF/RUN/START/ACCESSORY			STD
811-001	WARNING LAMP/LIGHT BAR DISPLAY, NON-DATA LINKED			STD
160-038	HEAVY DUTY ONBOARD DIAGNOSTICS INTERFACE CONNECTOR LOCATED BELOW LH DASH			STD
844-001	2 INCH ELECTRIC FUEL GAUGE			STD
148-003	PROGRAMMABLE RPM CONTROL - ELECTRONIC ENGINE			STD
856-001	ELECTRICAL ENGINE COOLANT TEMPERATURE GAUGE			STD
864-001	2 INCH TRANSMISSION OIL TEMPERATURE GAUGE			STD
852-002	ELECTRIC ENGINE OIL PRESSURE GAUGE			STD
748-026	POWER AND GROUND WIRING FOR CB RADIO IN OVERHEAD CONSOLE			STD
752-017	MULTI-BAND AM/FM/WB/CB LH MIRROR MOUNTED ANTENNA SYSTEM			STD
810-042	ELECTRONIC MPH SPEEDOMETER WITH SECONDARY KPH SCALE, WITH ODOMETER			STD
817-001	STANDARD VEHICLE SPEED SENSOR			STD
812-003	ELECTRONIC 3000 RPM TACHOMETER WITH HOUR METER			\$35.00
813-998	NO VEHICLE PERFORMANCE MONITOR			(\$998.00)
162-002	IGNITION SWITCH CONTROLLED ENGINE STOP			STD
836-001	2 INCH VOLTMETER			STD
660-008	SINGLE ELECTRIC WINDSHIELD WIPER MOTOR WITH DELAY			STD
304-015	CAB/TRAILER MARKER LIGHT SWITCH WITH SEPARATE HEADLIGHT SWITCH			STD
882-009	ONE VALVE PARKING BRAKE SYSTEM WITH WARNING INDICATOR			STD
299-032	VSM NON CANCELING TURN SIGNAL SWITCH WITH INTEGRAL HEADLAMP DIMMER WITHOUT BRAKE OVERRIDE			STD



Prepared for:  
 Fleet Manager  
 City of San Antonio  
 329 S Frio  
 San Antonio, TX 78207  
 Phone: 210-207-7000

Prepared by:  
 ROCKY SHOFFSTALL  
 GRANDE TRUCK CENTER  
 4562 IH 10 EAST  
 SAN ANTONIO, TX 78219  
 Phone: (210)-661-4121

Data Code	Description	Weight Front	Weight Rear	Retail Price
298-036	PACIFIC INSIGHT ELECTRONIC FLASHER			STD
<b>Design</b>				
065-000	PAINT: ONE SOLID COLOR			STD
<b>Color</b>				
980-5F6	CAB COLOR A: L0006EB WHITE ELITE BC			STD
96J-001	CAB INTERIOR PAINTED SAME AS CAB COLOR			STD
986-020	BLACK, HIGH SOLIDS POLYURETHANE CHASSIS PAINT			STD
962-972	POWDER WHITE (N0006EA) FRONT WHEELS/RIMS (PKWHT21, TKWHT21, W, TW)			STD
966-972	POWDER WHITE (N0006EA) REAR WHEELS/RIMS (PKWHT21, TKWHT21, W, TW)			STD
964-993	BUMPER PAINTED SAME AS CHASSIS			STD
976-995	SUNVISOR PAINTED SAME AS CAB COLOR A			N/C
<b>Certification / Compliance</b>				
996-001	U.S. FMVSS CERTIFICATION, EXCEPT SALES CABS AND GLIDER KITS			STD

**Sales Programs**  
 NO SALES PROGRAMS HAVE BEEN SELECTED

**TOTAL VEHICLE SUMMARY**

**Adjusted List Price**

Adjusted List Price \*\* \$156,010.00

**Weight Summary**

	Weight Front	Weight Rear	Total Weight
Factory Weight <sup>+</sup>	9624 lbs	5071 lbs	14695 lbs
Total Weight <sup>+</sup>	9624 lbs	5071 lbs	14695 lbs

**ITEMS NOT INCLUDED IN ADJUSTED LIST PRICE**



Prepared for:  
Fleet Manager  
City of San Antonio  
329 S Frio  
San Antonio, TX 78207  
Phone: 210-207-7000

Prepared by:  
ROCKY SHOFFSTALL  
GRANDE TRUCK CENTER  
4562 IH 10 EAST  
SAN ANTONIO, TX 78219  
Phone: (210)-661-4121

### Other Factory Charges

PMU-016	2016 OBD/2010 EPA/CARB/GHG14 ESCALATOR	\$300.00
RAL-17D	MODEL YEAR 2017 WST 4700 ESCALATOR - \$750	\$750.00
P73-2WS	STANDARD DESTINATION CHARGE	\$2,025.00

(+) Weights shown are estimates only.

If weight is critical, contact Customer Application Engineering.

(\*\*) Prices shown do not include taxes, fees, etc... "Net Equipment Selling Price" is located on the Quotation Details Proposal Report.





# SAN ANTONIO BRAKE & CLUTCH

902 AVENUE B  
SAN ANTONIO, TX 78215

Telephone: (210) 226-0254  
Fax: (210) 226-2043

# QUOTATION

**Texas Fleet Supply**  
Laredo (956) 723-2231

**Lone Star Brake**  
Austin (512) 385-4262

S  
O  
L  
D  
T  
O  
G675  
GRANDE FORD TRUCK SALES INC  
PO BOX 201210  
SAN ANTONIO, TX 78220-8210

S  
H  
I  
P  
T  
O  
G675  
GRANDE FORD TRUCK SALES INC  
PO BOX 201210  
SAN ANTONIO, TX 78220-8210

Order Ref. No. W1*784997	Ctr. No. 1	Time 11:10am	Veh. No.	QUOTATION ORDER	Page 1	Invoice No.
Customer P.O. No.	SNO 503	Terms NET 10TH	Invoice Date 12-07-15	Shipped Via WILL CALL		

Line	Ord	Ship	B/O	Part Number	Description	List Price	Unit Price	Extended Price
***** QUOTATION ***** QUOTATION ***** QUOTATION ***** QUOTATION *****								
PARTS AND LABOR TO MOUNT WINCH ON FRONT BUMPER 12,000 LB WINCH WITH REMOTE CONTROL OR WIRELESS REMOTE THESE TYPE UNITS DO NOT HAVE ADJUSTABLE BRAKES 125 FT 3/8 CABLE W/HOOK								
1	1	0	RAM	112169	RE-12000RX 12V WINCH	3,214.50	2143.00	2,143.00
1	1	0	RAM	251200	RAMSEY WIRELESS REMOT	314.20	209.47	209.47
15	15	0	TEC	702/OA1-1	2/0 GA BATTERY CABLE-	12.00	6.00	90.00
15	15	0	TEC	702/OA5-1	2/0 GA BATT CABLE- RE	12.00	6.00	90.00
1	1	0	MIS	STEEL	MOUNTING BRACKET /WIN	100.00	77.00	77.00
2	2	0	TEC	5011	UNIVERSAL CLAMP STYLE	4.04	2.02	4.04
5	5	0	LAB	GHR	GARAGE LABOR RATE	160.00	80.00	400.00

Parts: 2,613.51  
Labor: 400.00

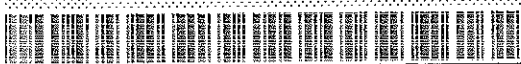
Invoice Total: \$3,013.51

SIGN NAME \_\_\_\_\_ PRINT NAME \_\_\_\_\_

FOR RECEIPT OF MERCHANDISE  
EFFECTIVE 11/07/2011 NO RETURNS AFTER 90 DAYS.  
\*\*\*\*\*

\$3,013.51

**OFFICE COPY**



PARTS SOLD HEREIN ARE WARRANTED ONLY TO THE EXTENT OF THE WARRANTY FURNISHED BY THE MANUFACTURER OF SUCH PARTS. ITEMS RETURNED MUST BE IN NEW CONDITION, ORIGINAL BOX, AND ACCOMPANIED BY THE PURCHASE INVOICE. THERE WILL BE NO RETURNS OR REFUNDS ALLOWED ON THE FOLLOWING: 1) PARTS RETURNED AFTER 30 DAYS, 2) ANY ELECTRICAL EQUIPMENT OR PARTS, 3) BROKEN OR PARTIAL KITS AND GASKET SETS, 4) TOOLS THAT HAVE BEEN USED, 5) SPECIAL ORDER ITEMS, OR 6) PARTS NOT IN THEIR ORIGINAL PACKAGE. 1-1/2% CHARGE ON INVOICES 30 DAYS PAST DUE (18% ANNUALLY). CORE RETURNS MUST BE IDENTICAL TO UNIT PURCHASED, ASSEMBLED AND DRAINED OF ALL LUBRICANT. CORES MUST BE RETURNED IN THE ORIGINAL BOX WITHIN 30 DAYS FROM THE DATE OF PURCHASE.

CUSTOMER'S SIGNATURE X





# WASTE SYSTEMS EQUIPMENT, INC.

- A TOTAL MUNICIPAL EQUIPMENT SUPPLY COMPANY



"TEXAS' OLDEST REFUSE BODY DEALERSHIP - FAMILY OWNED & OPERATED SINCE 1975"

## Quote

Date: 12/4/2015  
Quote # GT12415  
Expiration Date: 30 Days

<b>From:</b> Waste Systems Equipment, Inc. PO Box 40878 Houston, TX. 77240 www.wastesystemsequipment.com Ph: 713-939-0200 Fax: 713-939-0718 Salesman: Bob Eastland Email: bob@wastesystemsequipment.com	<b>To:</b> Grande Truck Center  Ph: Fax: () - Rocky Shoffstall Email: rshoffstall@grandetruck.com
---	---

Comments:

Quantity	Description	Sales Price
1	Rotobec Elite 910 with rotator model 045 with trash bucket and RT-22-2 rotator for continuous rotation Body as specified	
		Total
		\$82,842.96

\*Price excludes freight & any applicable sales, use or federal tax, license, title or registration fees unless otherwise stated.

PRODUCTION CUT-OFF DATE: \_\_\_\_\_

INDICATE THE LAST DAY THAT THE CITY CAN PLACE ORDERS UNDER THIS CONTRACT WITHOUT MISSING THE PRODUCTION CUT OFF DATE: \_\_\_\_\_

BID PRICES SHALL REMAIN FIRM FOR ALL ORDERS PLACED PRIOR TO THIS CUT OFF DATE. IN THE EVENT THAT CITY DOES NOT AWARD A CONTRACT PRIOR TO PRODUCTION CUT OFF DATE, CAN BIDDER PROVIDE BID ITEMS, AT THE BID PRICE SUBMITTED, AFTER THE PRODUCTION CUT OFF DATE? \_\_\_\_\_

ITEM	QUANTITY	DESCRIPTION
8	1	>33,000 GVWR Grappler Truck (Turnkey Unit)

PRICE EACH: \$ \_\_\_\_\_

TOTAL: \$ \_\_\_\_\_

YEAR, MAKE & MODEL CAB & CHASSIS OFFERED:  
\_\_\_\_\_

SPECIFIC MAKE & MODEL OF ENGINE OFFERED (INCLUDE SAE NET HP):  
\_\_\_\_\_

TRANSMISSION OFFERED:  
\_\_\_\_\_

CAB & CHASSIS WARRANTY:  
\_\_\_\_\_

CAB & CHASSIS WARRANTY SERVICE PROVIDER NAME:  
\_\_\_\_\_

CAB & CHASSIS WARRANTY SERVICE PROVIDER FACILITY ADDRESS:  
\_\_\_\_\_

YEAR, MAKE & MODEL GRAPPLER/HYDRAULIC LOADER BODY OFFERED:

2016 Rotobec Elite 910 w/ GH Body / Trash Bucket  
Rotobec model  
045 w

GRAPPLER/HYDRAULIC LOADER BODY WARRANTY:  
12 month's / 2000 hours

GRAPPLER/HYDRAULIC LOADER BODY SERVICE PROVIDER NAME:  
Reliance Truck & Equipment

COSA 9

5 CY 4D Wup



Grande Truck Center  
4562 IH 10 East, San Antonio, Texas, 78219  
Office: 210-661-4121 Fax: 210-666-7211

Loss wheel  
Bunkle Wisconsin  
Auto Down  
Dot Reg  
But Fire Ext

## Customer Proposal

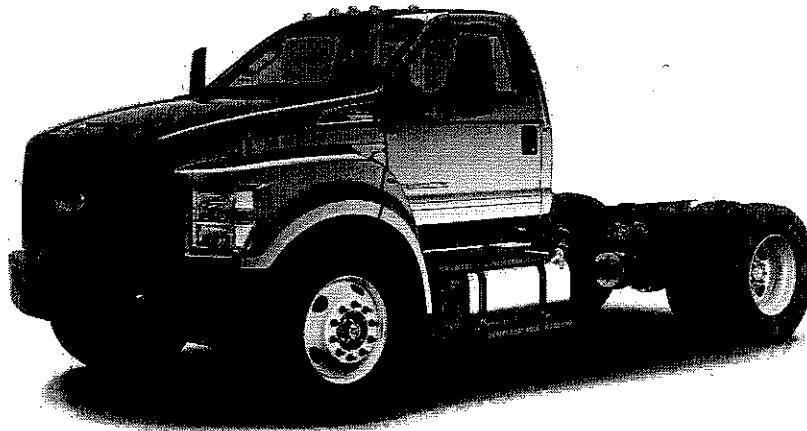
---

**Prepared by:**

ROCKY SHOFFSTALL  
Office: 210-661-4121  
Email: rshoffstall@grandetruck.com

**Date:** 11/23/2015

**Vehicle:** 2016 F-750 Diesel Base  
Regular Cab





## Selected Options

Code	Description	MSRP	Dealer
<b>Base Vehicle</b>			
F7D	Base Vehicle Price (F7D)	\$68,135.00	\$55,871.00
<b>Engines</b>			
99C	6.7L Power Stroke V8 Turbo Diesel - 270 HP @ 2400 RPM, 675 lb-ft Torque @ 1600 RPM ✓	STD	STD
	Includes Engine Exhaust Brake and manual regen capability. Torque: 675 ft.lbs. @ 1600 rpm.		
	<i>Governed RPM: 3200. Includes CARB clean idle label - may be removed if un-necessary.</i>		
916	Speed Limit - 65mph	N/C	N/C
<b>Transmissions</b>			
44G	Ford TorqShift HD 6-Speed Automatic - Double Overdrive, less PTO Provision (RNDM) ✓	STD	STD
41A	Transmission Power Take-Off Provision w/LiveDrive Capability ✓	\$895.00	\$761.00
<b>Front Wheels &amp; Tires</b>			
643	Wheels, Front 22.5x8.25 White Powder Coated Steel, 10-Hole ✓	\$25.00	\$21.00
	<i>(285.75MM BC) hub piloted, flanged nut, metric mount, 8.25 DC rims; with steel hubs.</i>		
TCT	Tires, Front Two 11R22.5G Goodyear G661 HSA (496 rev/mile) ✓	STD	STD
<b>Rear Wheels &amp; Tires</b>			
663	Wheels, Rear 22.5x8.25 White Powder Coated Steel, 10-Hole ✓	\$50.00	\$43.00
	<i>(285.75MM BC) hub piloted, flanged nut, metric mount, 8.25 DC rims; with steel hubs.</i>		
RCA	Tires, Rear Four 11R22.5G Goodyear G182 RSD (496 rev/mile) ✓	\$50.00	\$43.00
<b>Brakes</b>			
67C	Air Brakes - Straight Truck ✓	\$1,770.00	\$1,505.00
	<i>Meritor Q-Plus with ABS, Bendix Anti-Lock Brake System, 4-channel. Includes 15" x 4" front brakes, dual direct reading air pressure gauges, brake lines color coded nylon, Bendix 13.2 CFM capacity air compressor, instrument panel mounted yellow knob parking brake control valve, automatic slack adjusters front and rear, two rear spring parking air brake chambers mounted on front of rear axle, three drain valves and two air tanks (Reference Body Builders Book for location). Rear brake size and components dependent upon axle selection.</i>		
62D	Air Dryer, Bendix AD/IP w/Heater <i>Mounted left frame rail.</i>	\$460.00	\$391.00

Prices and content availability as shown are subject to change and should be treated as estimates only. Actual base vehicle, package and option pricing may vary from this estimate because of special local pricing, availability or pricing adjustments not reflected in the dealer's computer system. See salesperson for the most current information.



## Selected Options (cont'd)

Code	Description	MSRP	Dealer
<b>Front Axle and Suspension</b>			
43N	10,000 lb. Cap. Non-Driving - Dana E-1002i	STD	STD
61C	Taper-Leaf Springs, Parabolic - 10,000 lb. Cap 2-leaf, 62" x 3.15"	STD	STD
60A	Lube, Front Axle, EmGard 50W, Synthetic Oil	\$50.00	\$43.00
<b>Rear Axle and Suspension</b>			
475	21,000 lb. Single Reduction - Open <i>NOTE: When specifying an axle ratio, check performance guidelines for startability and gradeability.</i>	STD	STD
68P	Multi-Leaf Springs - 21,000 lb. Cap <i>11-leaf. Includes 2,000 lb auxiliary springs for load stabilization.</i>	STD	STD
607	Lube, Rear Axle, EmGard 75W-90, Synthetic Oil	\$100.00	\$85.00
X6D	6.50 Axle Ratio	N/C	N/C
<b>Wheelbase</b>			
158WB	158" Wheelbase/84" CA/49" AF/246" OAL	STD	STD
<b>Frame</b>			
535	Single Channel - Straight 'C' 15.14 SM, 80,000 PSI <i>1,211,200 RBM. High strength low alloy steel. 10.250" x 3.092" x 0.375" (260.4mm x 78.5mm x 9.5mm).</i>	STD	STD
18D	Special Rating GVWR - Limited to 25,999 lb. GVWR	\$120.00	\$102.00
<b>Exhaust</b>			
91G	Under Cab, Right Side Outlet, Switchback-Style <i>Single, horizontal muffler, right side, under cab, outside of frame rail with rear discharge.</i>	STD	STD
<b>Fuel Tanks</b>			
65B	Fuel Tank - LH 50 Gallon Rectangular - Aluminum ✓	STD	STD
10	10 Gal. Single Tank Fuel Fill. Mandatory Charge Applied, Based On Tank Selection	\$0.00	\$26.90
<b>Electrical / Alternator / Battery</b>			
17A	200 Amp Denso SC5 Heavy Duty Alternator <i>Extra heavy duty 12 Volt.</i>	Included	Included

Prices and content availability as shown are subject to change and should be treated as estimates only. Actual base vehicle, package and option pricing may vary from this estimate because of special local pricing, availability or pricing adjustments not reflected in the dealer's computer system. See salesperson for the most current information.



## Selected Options (cont'd)

Code	Description	MSRP	Dealer
55M	Jump Start Stud - Remote Mounted	\$90.00	\$77.00
63A	Battery - Two 750 CCA, 1500 Total, Includes Steel Battery Box <i>12Volt, Motorcraft.</i>	STD	STD
59C	Body Builder Wiring - To End of Frame <i>Includes sealed connectors for 2 ground circuits, with combined left/stop, combined right/stop, stop lamps, back up lamps. Also includes 2 additional pass through wires to cab (replaces standard back of cab wiring).</i>	\$135.00	\$115.00
17M	✓ Back-Up Alarm - Electric, 102 dBA	\$110.00	\$94.00
962	Daytime Running Lamps	\$45.00	\$38.00
<b>Seats</b>			
88G	✓ 30/70 Air Ride Driver (External Air Source) & Fixed 2-Passenger Bench - Vinyl	\$395.00	\$336.00
<b>Cab Interior</b>			
600A	Preferred Equipment Package 600A	N/C	N/C
90P	Power Equipment Group <i>Includes power front side windows, power door locks and door trim panel.</i>	\$470.00	\$400.00
588	Radio AM/FM Stereo w/Aux Audio Input Jack & Clock <i>With two speakers.</i>	STD	STD
<b>Cab Exterior</b>			
59A	✓ Horn, Air - Black, Single Trumpet  LATE AVAILABILITY when ordered w/Hydraulic Brakes. <i>Air solenoid operated, chassis mounted on rail back of bumper.</i>	\$90.00	\$77.00
54R	✓ Mirrors, Dual - Heated & Motorized Rectangular, XL2020 - 102" Width <i>Integral spot mirror, sail type, solid black finish.</i>	\$275.00	\$234.00
<b>Miscellaneous</b>			
PAINT	Paint Type - Environmentally Friendly, "3 - Wet System"	STD	STD
<b>Interior Colors</b>			
E	Gray	N/C	N/C
<b>Primary Colors</b>			
B1	School Bus Yellow	N/C	N/C

Prices and content availability as shown are subject to change and should be treated as estimates only. Actual base vehicle, package and option pricing may vary from this estimate because of special local pricing, availability or pricing adjustments not reflected in the dealer's computer system. See salesperson for the most current information.





## Selected Equipment & Specs

### Dimensions

Exterior length: 246.0" \* Exterior width: 96.7" \* Exterior height: 94.3" \* Wheelbase: 158.0" \* Front track: 83.5" \* Rear track: 72.7" \* Front legroom: 41.4" \* Front headroom: 40.7" \* Front hiproom: 67.6" \* Front shoulder room: 68.0"

### Powertrain

270hp 6.7L OHV 32 valve intercooled turbo V-8 engine with direct diesel injection \* Recommended fuel : diesel \* federal \* 6 speed automatic transmission with overdrive \* Rear-wheel drive \* Fuel Economy Cty: N/A \* Fuel Economy Highway: N/A \* 50.0 gal. rectangular Left front fuel tank \* Fuel/water separator \* Transmission PTO provision \* Standard rear differential \* Right mounted horizontal muffler \* Right mounted horizontal tailpipe

### Suspension/Handling

Front non-independent leaf spring suspension \* Rear rigid axle leaf spring suspension \* Hydraulic power-assist recirculating ball Steering \* Front and rear 22.5 x 8.25 wheels \* 11.0R22.5 AS front and rear tires \* Dual rear wheels \* Rubber auxiliary rear springs

### Body Exterior

2 doors \* Driver and passenger power remote heated folding door mirrors \* Black door mirrors \* Black bumpers \* Side steps \* Clearcoat paint \* Straight front bumper ends \* Hood mounted grille \* Front and rear 22.5 x 8.25 white steel wheels with 10 wheel studs

### Convenience

Manual air conditioning \* Cruise control with steering wheel controls \* Power front windows \* Power door locks \* Manual tilt steering wheel \* Front cupholders \* Passenger visor mirror \* Single air horn \* Automatic gearshift steering column lever \* Driver and passenger door bins

### Seats and Trim

Seating capacity of 3 \* Fixed driver seat \* Fixed passenger seat \* Bucket driver seat, two person bench passenger seat \* Driver seat folding back \* Low back seats \* Driver seat air suspension \* Driver seat with 4 way direction control, passenger seat with 2 way direction control \* Manual fore/aft seats

### Entertainment Features

AM/FM stereo radio \* Auxiliary audio input \* 4 speakers \* Fixed antenna

### Lighting, Visibility and Instrumentation

Halogen aero-composite headlights \* Variable intermittent front windshield wipers \* Light tinted windows \* Front reading lights \* Tachometer \* Oil pressure gauge \* Trip computer \* Trip odometer

### Safety and Security

4-wheel ABS brakes \* Air brakes \* Power door locks

### Dimensions

#### General Weights

Curb	11280 lbs.	Front curb weight	7080 lbs.
Rear curb weight	4200 lbs.	Front axle capacity	10000 lbs.
Rear axle capacity	21000 lbs.	Front spring rating	10000 lbs.
Rear spring rating	21000 lbs.	Front tire/wheel capacity	12350 lbs.
Rear tire/wheel capacity	23360 lbs.	Front GAWR	10000 lbs.
Rear GAWR	21000 lbs.	GVWR	25999 lbs.
GCWR	50000 lbs.		

#### Fuel Tank type

Capacity 50 gal.

#### Front Frame

Height loaded 35 "      Height unloaded 37 "

Prices and content availability as shown are subject to change and should be treated as estimates only. Actual base vehicle, package and option pricing may vary from this estimate because of special local pricing, availability or pricing adjustments not reflected in the dealer's computer system. See salesperson for the most current information.



## Selected Equipment & Specs (cont'd)

### Rear Frame

Height loaded ..... 36 "      Height unloaded ..... 38 "

### Selected Options that limit GVWR

Special Rating GVWR - Limited to 25,999 lb.  
GVWR ..... 18D

## Powertrain

### Engine Type

Block material	Iron	Cylinders	V-8
Head material	Aluminum	Ignition	Compression
Injection	Direct diesel injection	Liters	6.7L
Orientation	Longitudinal	Recommended fuel	Diesel
Valves per cylinder	4	Valvetrain	OHV
Forced induction	Intercooled turbo		

### Engine Spec

Bore	3.90"	Compression ratio	16.2:1
Displacement	406 cu.in.	Stroke	4.25"

### Engine Power

Output	270 HP @ 2,400 RPM	Torque	675 ft.-lb @ 1,600 RPM
Governed RPM	3200		

### Alternator

Type	HD	Amps	200
------	----	------	-----

### Battery

Cold cranking amps	1500	Location	Forward right
Step	Yes	Type	Dual

### Transmission

Electronic control	Yes	Lock-up	Yes
Overdrive	Yes	Speed	6
Type	Automatic		

### Transmission Gear Ratios

1st	3.974	2nd	2.318
3rd	1.516	4th	1.149
5th	0.858	6th	0.674
Reverse Gear ratios	3.128		

### Transmission Torque Converter

Stall ratio	1.85
-------------	------

### Transmission Extras

Driver selectable mode	Yes	Sequential shift control	Yes
Oil cooler	Regular	PTO provision	Yes

### Drive Type

Type	Rear-wheel
------	------------

### Drive Axle

Ratio	6.5
-------	-----

### Exhaust

Material	Aluminized steel	System type	Single
----------	------------------	-------------	--------

Prices and content availability as shown are subject to change and should be treated as estimates only. Actual base vehicle, package and option pricing may vary from this estimate because of special local pricing, availability or pricing adjustments not reflected in the dealer's computer system. See salesperson for the most current information.



## Selected Equipment & Specs (cont'd)

### Emissions

CARB ..... Federal

### Engine Retarder

Type ..... Yes

## Driveability

### Brakes

ABS ..... 4-wheel ABS channels ..... 4  
 Type ..... Air brakes

### Suspension Control

Ride ..... Regular

### Front Suspension

Independence ..... Non-independent Type ..... Leaf

### Front Spring

Type ..... Tapered leaf Grade ..... Regular

### Front Shocks

Type ..... Regular

### Rear Suspension

Independence ..... Rigid axle Type ..... Leaf

### Rear Spring

Type ..... Multi-leaf Grade ..... Regular  
 Auxiliary ..... Rubber

### Steering

Activation ..... Hydraulic power-assist Type ..... Re-circulating ball

### Steering Specs

# of wheels ..... 2

## Exterior

### Front Wheels

Diameter ..... 22.5" Width ..... 8.25"

### Rear Wheels

Diameter ..... 22.5" Width ..... 8.25"  
 Dual ..... Yes

### Front Tires

Aspect ..... 82 Diameter ..... 22.5"  
 Sidewalls ..... BSW Tread ..... AS  
 Width ..... 11.0" LT load rating ..... G  
 RPM ..... 496

### Rear Tires

Aspect ..... 82 Diameter ..... 22.5"  
 Sidewalls ..... BSW Tread ..... AS  
 Width ..... 11.0" LT load rating ..... G  
 RPM ..... 496

### Wheels

Prices and content availability as shown are subject to change and should be treated as estimates only. Actual base vehicle, package and option pricing may vary from this estimate because of special local pricing, availability or pricing adjustments not reflected in the dealer's computer system. See salesperson for the most current information.



## Selected Equipment & Specs (cont'd)

Front track .....	83.5"	Rear track .....	72.7"
Turning radius (to curb) .....	22'	Turning radius (to bumper) .....	23'
Wheelbase .....	158.0"		

### Body Features

Front splash guards .....	Yes
Side steps .....	Yes

Body material .....

Composite/galvanized steel

### Body Doors

Door count .....	2
------------------	---

### Exterior Dimensions

Length .....	246.0"
Body height .....	94.3"
Axle to end of frame .....	49.0"
Frame yield strength (psi) .....	80000.0
Frame rail width .....	3.1"
Max RBM (in.-lbs.) .....	1275200.0
Front bumper to Front axle .....	39.0"

Body width .....	96.7"
Cab to axle .....	84.0"
Frame section modulus .....	15.1cu.in.
Frame rail depth .....	10.3"
Frame rail thickness .....	0.4"
Frame rail section .....	9.5"
Nominal RBM (in.-lbs.) .....	1211200.0

## Seating

### Passenger Capacity

Capacity .....	3
----------------	---

### Driver Seat

Type .....	Bucket
Back type .....	Low
Way direction control .....	4

Back .....	Folding
Suspension .....	Air
Fore/aft .....	Manual

### Passenger Seat

Type .....	Two person bench
Way direction control .....	2

Back type .....	Low
Fore/aft .....	Manual

### Front Seat Trim

Material .....	Vinyl
----------------	-------

Back material .....	Carpet
---------------------	--------

## Convenience

### AC And Heat Type

Air conditioning .....	Manual
------------------------	--------

### Audio System

Auxiliary audio input .....	Yes
Radio grade .....	Regular

Radio .....	AM/FM stereo
Seek-scan .....	Yes

### Audio Speakers

Speaker type .....	Regular
--------------------	---------

Speakers .....	4
----------------	---

### Audio Antenna

Type .....	Fixed
------------	-------

### Cruise Control

Cruise control .....	With steering wheel controls
----------------------	------------------------------

### Convenience Features

12V DC power outlet .....	2
Horn .....	Single air

Back-up alarm .....	Yes
---------------------	-----

### Door Lock Activation

Prices and content availability as shown are subject to change and should be treated as estimates only. Actual base vehicle, package and option pricing may vary from this estimate because of special local pricing, availability or pricing adjustments not reflected in the dealer's computer system. See salesperson for the most current information.



## Selected Equipment & Specs (cont'd)

Type	Power		
<i>Instrumentation Type</i>			
Display	Analog		
<i>Instrumentation Gauges</i>			
Tachometer	Yes	Oil pressure	Yes
Engine temperature	Yes	Transmission fluid temp	Yes
Engine hour meter	Yes	Primary air pressure	Yes
<i>Instrumentation Warnings</i>			
Battery	Yes	Lights on	Yes
Key	Yes	Service interval	Yes
Brake fluid	Yes	Transmission fluid temp	Yes
<i>Instrumentation Displays</i>			
Clock	In-radio display		
<i>Instrumentation Feature</i>			
PRND in IP	Yes	Trip computer	Yes
Trip odometer	Yes		
<i>Steering Wheel Type</i>			
Material	Urethane	Tilting	Manual
<i>Front Side Windows</i>			
Window 1st row activation	Power		
<i>Window Features</i>			
Tinted	Light		
<i>Front Windshield</i>			
Wiper	Variable intermittent		
<i>Rear Windshield</i>			
Window	Fixed		
<i>Automatic Gearshift</i>			
Location	Steering column lever		
<b>Interior</b>			
<i>Passenger Visor</i>			
Mirror	Yes		
<i>Headliner</i>			
Coverage	Full	Material	Cloth
<i>Floor Trim</i>			
Coverage	Full	Covering	Vinyl/rubber
<i>Trim Feature</i>			
Gear shift knob	Urethane		
<i>Lighting</i>			
Dome light type	Delay	Front reading	Yes
Variable IP lighting	Yes		
<i>Storage</i>			
Driver door bin	Yes	Front Beverage holder(s)	Yes
Glove box	Yes	Passenger door bin	Yes

Prices and content availability as shown are subject to change and should be treated as estimates only. Actual base vehicle, package and option pricing may vary from this estimate because of special local pricing, availability or pricing adjustments not reflected in the dealer's computer system. See salesperson for the most current information.



## Selected Equipment & Specs (cont'd)

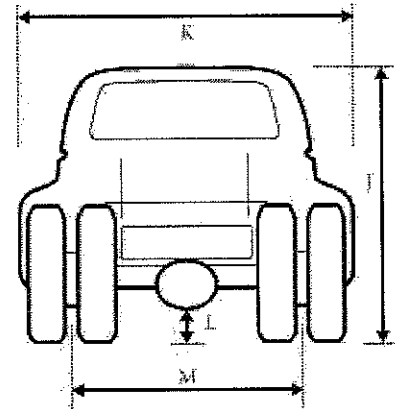
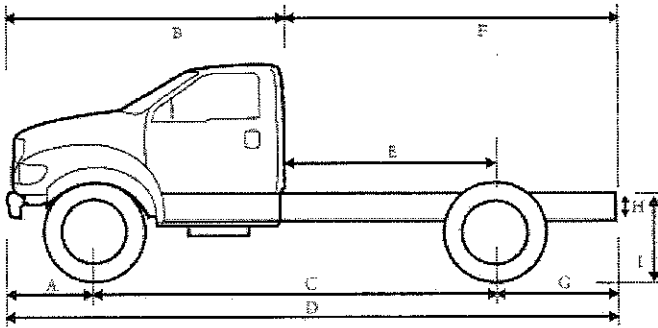
Dashboard .....	Yes
<i>Legroom</i>	
Front .....	41.4"
<i>Headroom</i>	
Front .....	40.7"
<i>Hip Room</i>	
Front .....	67.6"
<i>Shoulder Room</i>	
Front .....	68.0"

Prices and content availability as shown are subject to change and should be treated as estimates only. Actual base vehicle, package and option pricing may vary from this estimate because of special local pricing, availability or pricing adjustments not reflected in the dealer's computer system. See salesperson for the most current information.



## Performance

Performance predictions in this report represent an estimate of vehicle performance based on standard operating conditions. Variations in customer equipment, load configuration, ambient conditions, and/or operator driving techniques can cause significant variations in vehicle performance. These values are not representative of results that may be shown in actual dynamometer tests. This report should therefore be used as a guide for comparative vehicle performance.



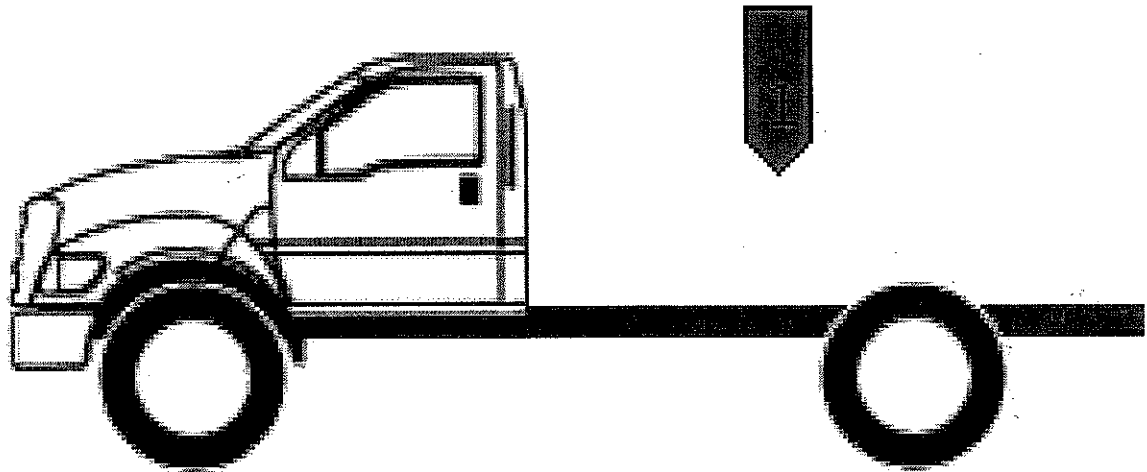
### Dimensions

A	Front of Bumper to Front Axle	39.00 in.
B	Front Bumper to Back of Cab (BBC)	113.00 in.
C	Wheelbase (WB)	158.00 in.
D	Overall Length (OAL)	246.00 in.
E	Back of Cab to Rear Axle (CA)	84.00 in.
F	Back of Cab to End of Frame	133.00 in.
G	Rear Axle to End of Frame (AF)	49.00 in.
H	Frame Section Height	10.30 in.
I	Rear Frame Height Unloaded	38.00 in.
J	Rear Frame Height Loaded	36.50 in.
K	Cab Height	94.30 in.
L	Body Width	96.70 in.
M	Maximum Ground Clearance	N/A
N	Minimum Ground Clearance	N/A
O	Front Tread	83.50 in.
P	Rear Tread	72.70 in.

Prices and content availability as shown are subject to change and should be treated as estimates only. Actual base vehicle, package and option pricing may vary from this estimate because of special local pricing, availability or pricing adjustments not reflected in the dealer's computer system. See salesperson for the most current information.



## Performance (cont'd)



### Weight

GVW	Front Axle	Rear Axle	Totals
Chassis .....	7,080 lbs .....	4,200 lbs .....	11,280 lbs
Body .....	0 lbs .....	0 lbs .....	0 lbs
Occupant .....	200 lbs .....	100 lbs .....	300 lbs
1 Max Payload - (Max. Payload) .....	2,720 lbs .....	11,699 lbs .....	14,419 lbs
<b>TOTAL</b> .....	<b>10,000 lbs</b> .....	<b>15,999 lbs</b> .....	<b>25,999 lbs</b>

Ratings	Front Axle	Rear Axle	GVWR
GAWR .....	10,000 lbs .....	21,000 lbs .....	25,999 lbs
Wheels/Tires .....	12,350 lbs .....	23,360 lbs .....	
Suspension .....	10,000 lbs .....	21,000 lbs .....	
Axle .....	10,000 lbs .....	21,000 lbs .....	
Legal Axle Limit .....	0 lbs .....	0 lbs .....	

Selected Options that limit GVWR	Totals
18D Special Rating GVWR - Limited to 25,999 lb. GVWR .....	25,999 lbs

GCW	Totals
Adjusted GVW .....	25,999 lbs
Weight of trailer: .....	0 lbs
Weight of trailer cargo: .....	0 lbs
<b>TOTAL</b> .....	<b>25,999 lbs</b>

Prices and content availability as shown are subject to change and should be treated as estimates only. Actual base vehicle, package and option pricing may vary from this estimate because of special local pricing, availability or pricing adjustments not reflected in the dealer's computer system. See salesperson for the most current information.





## Performance (cont'd)

### Start, Grade and Speed

Start	Ratio	Desired	Calculated
Start grade capability in 1st gear	3.97	15.00 %	28.71 %
Start grade capability in reverse	3.13	15.00 %	22.60 %
Grade	Ratio	Desired	Calculated
Maximum grade in 4th gear	1.15	3.00 %	8.99 %
Maximum grade in 5th gear	0.86	3.00 %	6.71 %
Maximum grade in 6th gear	0.67	3.00 %	5.27 %
Speed		Desired	Calculated
Top Speed (level grade)		75 mph	88 mph
<i>To meet your requirement you need a maximum axle ratio of 7.66</i>			
Top Speed on 3.0% grade		55 mph	
<i>To meet your requirement you need a maximum of 166 hp</i>			
Cruise Speed		60 mph	64 mph
Engine RPM at desired cruise speed		2173 rpm	

### Variables in Use

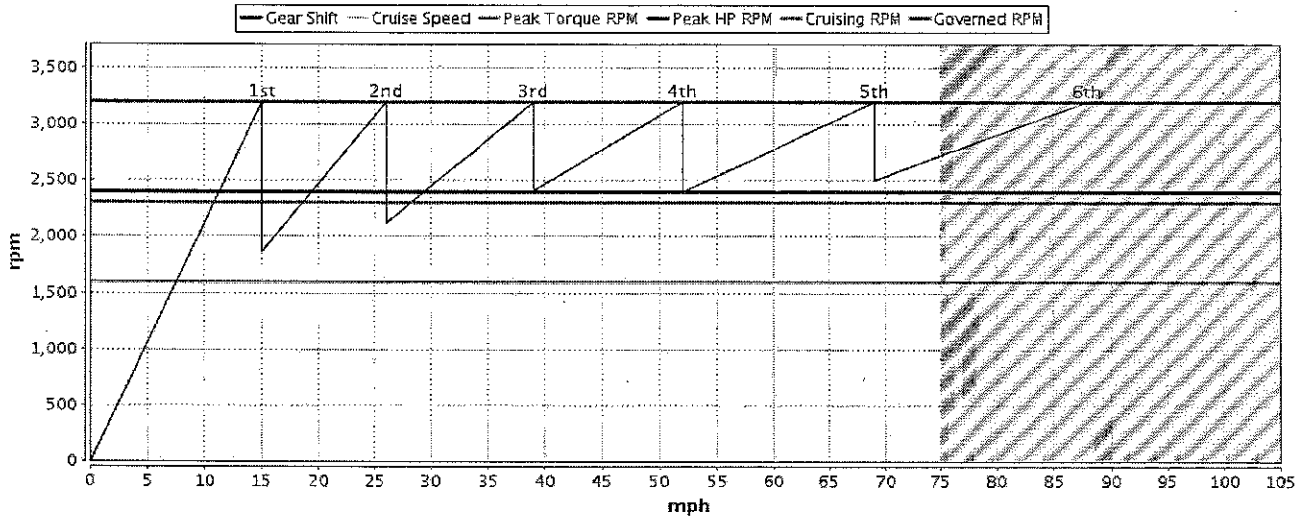
Rear axle ratio:	6.50/6.50	Governed RPM:	3,200 rpm
Tire size:	11R22.5 (496 rev/mile)	Frontal Area:	57.28 Sq.Ft.
Gross Vehicle Weight (GVW):	25,999 lbs	Cruising RPM:	2,300 rpm
Clutch engagement torque:	337 ft.lbs.	Worst road surface:	Typical Highway
Torque conversion ratio:	1.85	Final Drive Ratio:	0.67
Peak engine torque:	675 ft.lbs.	Drag Coefficient:	0.80
Engine Power:	270 hp @ 2,400 rpm		

Prices and content availability as shown are subject to change and should be treated as estimates only. Actual base vehicle, package and option pricing may vary from this estimate because of special local pricing, availability or pricing adjustments not reflected in the dealer's computer system. See salesperson for the most current information.



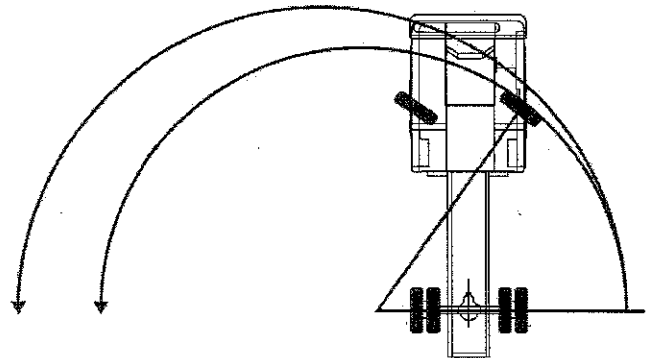
## Performance (cont'd)

### Shift Chart



### Turning Radius

Turning radius to curb: . . . . . 21.92 ft  
 Turning radius to bumper: . . . . . 23.49 ft



Prices and content availability as shown are subject to change and should be treated as estimates only. Actual base vehicle, package and option pricing may vary from this estimate because of special local pricing, availability or pricing adjustments not reflected in the dealer's computer system. See salesperson for the most current information.

# DAVIS TRAILER & TRUCK EQUIPMENT, INC.

P.O. Box 4129 • 7609 Colonel Glenn • Little Rock, Arkansas 72214-4129  
(501) 562-6295 • In Ark. 1-800-482-9484 • Out of Ark. 1-800-233-1335

December 4, 2015

Mr. Rocky Shoffstall  
Grande Truck Center  
4562 IH-10 East  
San Antonio, TX 78219  
Ph: 210-860-7537

RE: City of San Antonio IFB NO: 6100006820  
4.11 Item 9 >26,000 G.V.W.R. 5 Cubic Yard Dump Truck

Dear Mr. Shoffstall:

Attached is our quote for furnishing and installing a 10' 5-6 cubic yard capacity dump body and associated equipment meeting or exceeding all specifications contained in the invitation to bid. The price includes all items in the dump body specifications plus the electric back up alarm, triangle warning kit and 5#'s ABC fire extinguisher. Delivery will be within 30 days of receiving an order from you or within 15 working days of receiving the truck- whichever is longer. The price is F.O.B. San Antonio, Texas, and assumes the truck is drop shipped to us. The price is firm for 180 days provided a purchase order is issued by 01/31/16.

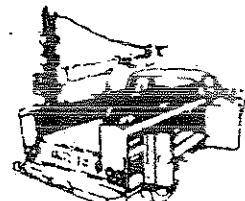
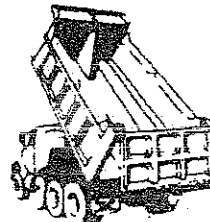
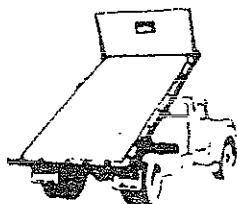
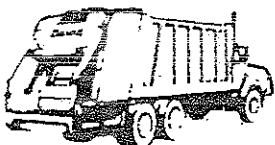
I have enclosed our brochure and the specification sheet on the Davis TA21-7(50) hoist. The dump body will be built to the exact specifications contained in the invitation to bid. We are providing all equipment and accessories requested. You will not have problems based on the specifications if you provide our equipment and if the specifications are enforced, our price should be very competitive. If you have any questions, please call me at 1-800-233-1335 or 1-501-562-6295.

Thank you for the opportunity to quote. Good luck on winning the bid and securing the business.

Sincerely,



Chester D. Mercer  
President



# DAVIS TRAILER & TRUCK EQUIPMENT, INC.

P.O. Box 4129 • 7609 Colonel Glenn • Little Rock, Arkansas 72214-4129  
 (501) 562-6295 • In Ark. 1-800-482-9484 • Out of Ark. 1-800-233-1335

QUOTATION NUMBER 10582

QUOTE DATED: 12/04/15

EXPIRES ON: 01/31/16

GRANDE TRUCK CENTER  
 ATTN: MR. ROCKY SHOFFSTALL  
 4562 IH-10 EAST  
 SAN ANTONIO, TX 78219

F.O.B.: SAN ANTONIO, TX

RE: CITY OF SAN ANTONIO IFB NO: 6100006820

4.11 ITEM 9 >26,000 G.V.W.R 5 CUBIC YARD DUMP TRUCK

PHONE: 210-666-7122 CELL: 210-860-7537 EMAIL: rshoffstall@grandetruckcenter.com FAX: 210-666-7216

ENTERED BY	SALES PERSON	CONTACT	SHIP VIA	ESTIMATED DELIVERY	INVOICE TERMS
TM	CHET MERCER	MR. ROCKY SHOFFSTALL	CUSTOMER	30 DAYS ARO 15 DAYS ARC	CHECK AT DELIVERY

QTY	DESCRIPTION	UNIT PRICE
1	DAVIS TA 5-10	12,450.00

DAVIS 10' 5-6 CUBIC YARD DUMP BODY

1/2 CAB PROTECTOR	INSIDE DIMENSIONS:
MANUAL DOUBLE ACTING TAILGATE	FRONT - 36"
DAVIS TOWER CONTROLS (FULL AIR)	SIDES - 24"
ASPHALT APRON	ENDS - 30"
"HOT" SHIFT PTO FOR FORD TORQUE	WIDTH - 84"
SHIFT AUTOMATIC TRANSMISSION	LENGTH - 10"
6" TUBULAR SIDE EXTENSIONS	

**EQUIPPED WITH:**

DAVIS TA21-7(50): SINGLE CYLINDER, TWIN ARM  
 UNDERBODY HOIST WITH 16 TONS LIFT CAPACITY  
 (NTEA CLASS 50)-FULL LENGTH SUBFRAME MOUNT

**CONSTRUCTION:**

PER CUSTOMER SPECIFICATION

**ADDITIONAL EQUIPMENT:**

1. FRONT AND REAR MUDFLAPS
2. U.S. TARP 11525: HEAVY DUTY ELECTRIC TARP SYSTEM  
PER SPECIFICATION
3. TRIANGLE WARNING KIT
4. 5#S ABC FIRE EXTINGUISHER

**OTHER INFORMATION:**

THE PRICE INCLUDES COMPLETE INSTALLATION, DIRECT MOUNT HYDRAULIC PUMP, "HOT" SHIFT PTO FOR FORD TORQUE SHIFT AUTOMATIC TRANSMISSION, MUDFLAPS, D.O.T. LIGHTING FOR THE BODY, OSHA SAFETY BODY PROP, BACK UP ALARM AND SCHOOL BUS YELLOW PAINT PER SPECIFICATION. THE PRICE IS FIRM FOR 180 DAYS PROVIDED A PURCHASE ORDER IS ISSUED BY 01/31/16.

ACCEPTED. The above prices, specifications and conditions are satisfactory and are hereby accepted. You are authorized to do the work as specified. Payment will be made as outlined above. Please refer to Quotation Number when placing your order.

FOR RESALE

**QUOTE TOTAL:** \$ 12,450.00

Date of Acceptance: \_\_\_\_\_

Firm: \_\_\_\_\_

By: \_\_\_\_\_

*Chet D. Mercer*

# DAVIS TRAILER & TRUCK EQUIPMENT, INC.

P.O. Box 4129 • 7609 Colonel Glenn • Little Rock, Arkansas 72214-4129  
(501) 562-6295 • In Ark. 1-800-482-9484 • Out of Ark. 1-800-233-1335

December 4, 2015

Mr. Rocky Shoffstall  
Grande Truck Center  
4562 IH-10 East  
San Antonio, TX 78219  
Ph: 210-860-7537

RE: City of San Antonio IFB NO: 6100006820  
4.11 Item 9 >26,000 G.V.W.R. 5 Cubic Yard Dump Truck

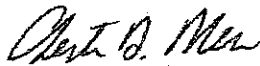
Dear Mr. Shoffstall:

Attached is our quote for furnishing and installing a 10' 5-6 cubic yard capacity dump body and associated equipment meeting or exceeding all specifications contained in the invitation to bid. The price includes all items in the dump body specifications plus the electric back up alarm, triangle warning kit and 5#s ABC fire extinguisher. Delivery will be within 30 days of receiving an order from you or within 15 working days of receiving the truck-whichever is longer. The price is F.O.B. San Antonio, Texas, and assumes the truck is drop shipped to us. The price is firm for 180 days provided a purchase order is issued by 01/31/16.

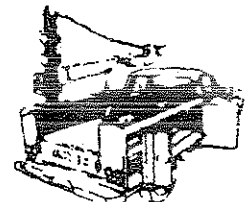
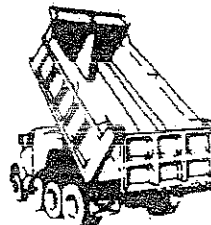
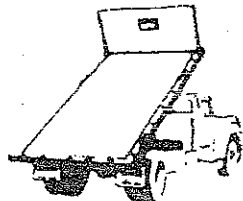
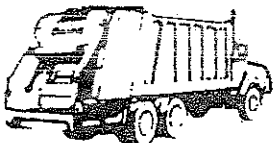
I have enclosed our brochure and the specification sheet on the Davis TA21-7(50) hoist. The dump body will be built to the exact specifications contained in the invitation to bid. We are providing all equipment and accessories requested. You will not have problems based on the specifications if you provide our equipment and if the specifications are enforced, our price should be very competitive. If you have any questions, please call me at 1-800-233-1335 or 1-501-562-6295.

Thank you for the opportunity to quote. Good luck on winning the bid and securing the business.

Sincerely,



Chester D. Mercer  
President



# DAVIS TRAILER & TRUCK EQUIPMENT, INC.

P.O. Box 4129 • 7609 Colonel Glenn • Little Rock, Arkansas 72214-4129  
 (501) 562-6295 • In Ark. 1-800-482-9484 • Out of Ark. 1-800-233-1335

QUOTATION NUMBER 10582

QUOTE DATED: 12/04/15  
 EXPIRES ON: 01/31/16

GRANDE TRUCK CENTER  
 ATTN: MR. ROCKY SHOFFSTALL  
 4562 IH-10 EAST  
 SAN ANTONIO, TX 78219

F.O.B.: SAN ANTONIO, TX

RE: CITY OF SAN ANTONIO IFB NO: 6100006820

4.11 ITEM 9 >26,000 G.V.W.R 5 CUBIC YARD DUMP TRUCK

PHONE: 210-666-7122 CELL: 210-860-7537 EMAIL: rshoffstall@grandetruckcenter.com FAX: 210-666-7216

ENTERED BY	SALESPERSON	CONTACT	SHIP VIA	ESTIMATED DELIVERY	INVOICE TERMS
TM	CHET MERCER	MR. ROCKY SHOFFSTALL	CUSTOMER	30 DAYS ARO 15 DAYS ARC	CHECK AT DELIVERY

QTY	DESCRIPTION	UNIT PRICE
1	DAVIS TA 5-10	12,450.00

DAVIS 10' 5-6 CUBIC YARD DUMP BODY  
 1/2 CAB PROTECTOR  
 MANUAL DOUBLE ACTING TAILGATE  
 DAVIS TOWER CONTROLS (FULL AIR)  
 ASPHALT APRON  
 "HOT" SHIFT PTO FOR FORD TORQUE  
 SHIFT AUTOMATIC TRANSMISSION  
 6" TUBULAR SIDE EXTENSIONS

INSIDE DIMENSIONS:  
 FRONT - 36"  
 SIDES - 24"  
 ENDS - 30"  
 WIDTH - 84"  
 LENGTH - 10'

**EQUIPPED WITH:**

DAVIS TA21-7(50): SINGLE CYLINDER, TWIN ARM  
 UNDERBODY HOIST WITH 16 TONS LIFT CAPACITY  
 (NTEA CLASS 50)-FULL LENGTH SUBFRAME MOUNT

**CONSTRUCTION:**

PER CUSTOMER SPECIFICATION

**ADDITIONAL EQUIPMENT:**

- FRONT AND REAR MUDFLAPS
- U.S. TARP 11525: HEAVY DUTY ELECTRIC TARP SYSTEM PER SPECIFICATION
- TRIANGLE WARNING KIT
- 5#'S ABC FIRE EXTINGUISHER

**OTHER INFORMATION:**

THE PRICE INCLUDES COMPLETE INSTALLATION, DIRECT MOUNT HYDRAULIC PUMP, "HOT" SHIFT PTO FOR FORD TORQUE SHIFT AUTOMATIC TRANSMISSION, MUDFLAPS, D.O.T. LIGHTING FOR THE BODY, OSHA SAFETY BODY PROP, BACK UP ALARM AND SCHOOL BUS YELLOW PAINT PER SPECIFICATION. THE PRICE IS FIRM FOR 180 DAYS PROVIDED A PURCHASE ORDER IS ISSUED BY 01/31/16.

ACCEPTED. The above prices, specifications and conditions are satisfactory and are hereby accepted. You are authorized to do the work as specified. Payment will be made as outlined above. Please refer to Quotation Number when placing your order.

FOR RESALE

QUOTE TOTAL: \$ 12,450.00

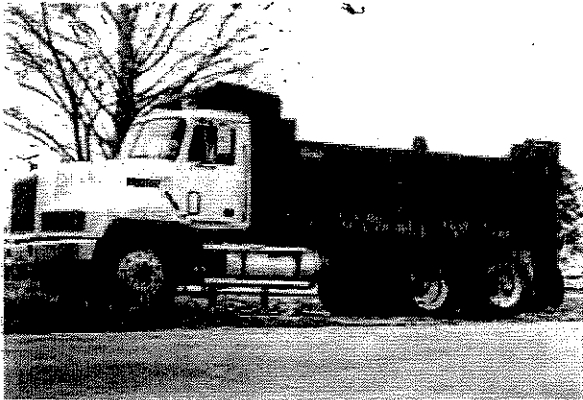
Date of Acceptance: \_\_\_\_\_

Firm: \_\_\_\_\_

By: \_\_\_\_\_

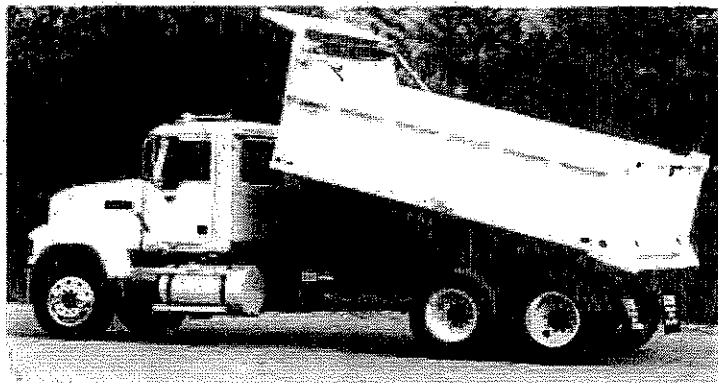
*Chet D. Mercer*

# **DAVIS** **DUMP BODIES**



**COMPETITIVE  
PRICE!**

**ONE-DAY  
INSTALLATION**



**RUGGED  
CONSTRUCTION**

(501) 562-6295 ■ FAX (501) 562-4036

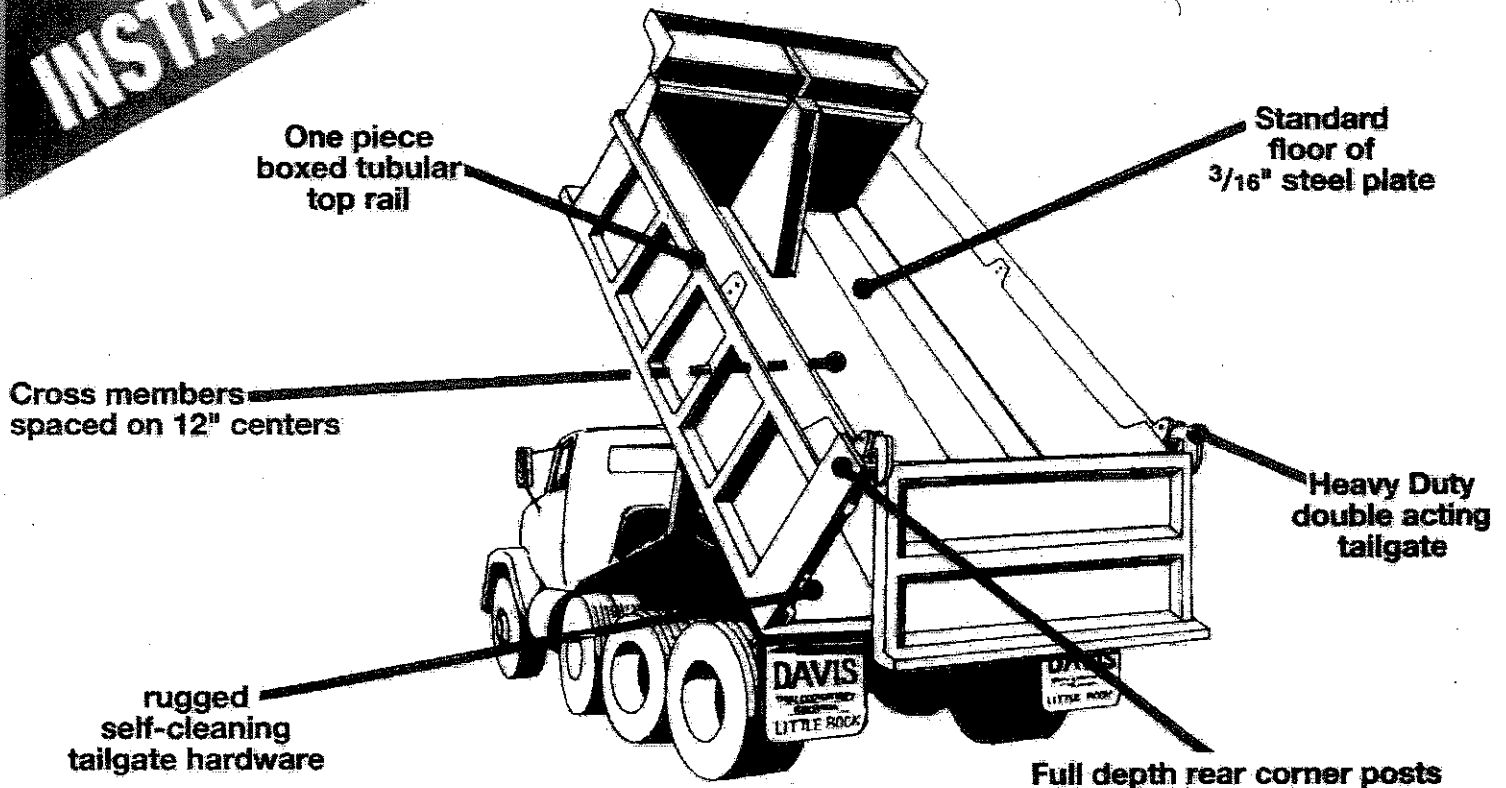
**CALL TOLL FREE:** OUTSIDE ARKANSAS 1-800-233-1335  
INSIDE ARKANSAS 1-800-482-9484  
PARTS 1-800-873-2847

<http://www.davisdump.com>

***Founded in Arkansas in 1928***

**ONE DAY  
INSTALLATION**

**DAVIS**



Founded in 1928, Davis Trailer & Truck Equipment Company began with a firm dedication to specialize in the manufacturing and installation of high-quality, top-of-the-line dump bodies, and complementary equipment such as tag and pusher axles, asphalt aprons, cab protectors, and air operated tailgates. We attribute our rapid growth over 60 years to a fervent belief that our customers are number one, thus entitling them to quality products as well as quality service.

### **We can assure our customers of quality service by:**

1. Maintaining a large stock of the most popular body sizes. When you call us we will have your body in stock.
2. Maintaining a large stock of service parts to guarantee you one-day installation of standard bodies and fast installation of specialized equipment.
3. Maintaining a streamlined manufacturing process for specialized bodies so that you will not have to wait.

Davis is also a full-line truck equipment distributor, specializing in flatbed dumps, service, cranes, lift axles, winch bodies and more.

**DAVIS**

**TRAILER AND TRUCK EQUIPMENT, INC., Little Rock, AR**  
7509 Col. Glenn ■ P.O. Box 4129 ■ Little Rock, AR 72214  
(501) 562-6295 ■ FAX (501) 562-4036

**CALL TOLL FREE:**

OUTSIDE ARKANSAS 1-800-233-1335  
INSIDE ARKANSAS 1-800-482-9484  
PARTS 1-800-873-2847

<http://www.davisdump.com>



VOLVO TRUCKS

# CUSTOMER PROPOSAL



# VNX84T300

Prepared For:

JEFF MOORE

CITY OF SAN ANTONIO

2105328374

TCANAL@SANANTONIO.GOV

Mon, Dec 07, 2015 11:45:25 AM EST

Prepared By:

ROCKY SHOFFSTALL

RSHOFFSTALL@GRANDETRUCK.COM

GRANDE TRUCK CENTER



# Table of Contents

Vehicle Spec.....	3
Additional Product and/or Service Information.....	15



# Vehicle Spec

<b>BASE MODEL</b>		<b>Description</b>	<b>Front Weight</b>	<b>Rear Weight</b>	<b>Price</b>
004395	BASE MODEL	VNX84T300	9,213	7,374	189,429

## MODEL PACKAGE

S 99X76X	MANUFACTURING LOCATION	VOLVO TRUCKS - ASSEMBLED IN THE USA	0	0	0
----------	------------------------	-------------------------------------	---	---	---

## VEHICLE ADAPTATION

S 114010	MARKET ADAPTATION	USA / USA TERRITORY MARKET ADAPTATION	0	0	0
S 38XCXN	OPERATOR'S MANUAL LANGUAGE	ENGLISH	0	0	0
S 263009	VEHICLE APPLICATION	TRACTOR / LOW-BOY TRAILER	0	0	0
S DKXL6X	GROSS COMBINATION WEIGHT	125,000 LB GROSS COMBINATION WEIGHT	0	0	0
S 2MCA1X	VEHICLE GHG CERTIFICATION	GREEN HOUSE GAS COMPLETE VEHICLE CERTIFICATION	0	0	0
S 3GCB1X	GHG VEHICLE APPLICATION	GREEN HOUSE GAS VOCATIONAL APPLICATION	0	0	0
S 898003	VEHICLE WARRANTY QUALIFICATION	STANDARD HEAVY DUTY WARRANTY QUALIFIED	0	0	0
S 259013	VEHICLE VOCATION	HEAVY LINEHAUL	0	0	0
S 260006	OPERATING CONDITIONS	ON HIGHWAY, STARTING GRADES<16%	0	0	0
S 264001	LOADING SURFACE FACTOR	CONCRETE LOADING AND / OR UNLOADING SURFACE	0	0	0
S DHX10X	OPERATING CLASS	OPERATING CLASS ONE (ON HIGHWAY)	0	0	0
S FHXL1X	VEHICLE WIDTH	102" (2590 MM) VEHICLE WIDTH	0	0	0
O 938002	CUSTOMER FLEET SIZE	REGIONAL FLEET 25 OR MORE VEHICLES IN OWN FLEET OF ANY VEHICLE BRAND	0	0	0

## PASSIVE AND ACTIVE SAFETY

S 2CXD1X	CAB TYPE	HIGH-STRENGTH STEEL (HSS) DAY CAB	0	0	0
S 2WXA1X	STEERING WHEEL	VOLVO SAFETY 18" SPORT STEERING WHEEL AND ADJUSTABLE STEERING COLUMN	0	0	0
S DUXA1X	SRS AIR BAG	VOLVO SRS AIR BAG-DRIVER SIDE ONLY	0	0	0
S D8XC1X	SAFETY BELT REMINDER	SAFETY BELT INDICATOR AND AUDIBLE REMINDER	0	0	0
S 43X40X	AUXILIARY DOWN VIEW MIRROR	DOWN VIEW MIRROR OVER PASSENGER DOOR	0	0	0
S ZMXA1X	ELECTRONIC VEHICLE STABILITY CONTROL	VOLVO ENHANCED STABILITY TECHNOLOGY (VEST)	0	0	0



S WRXA1X	<b>ANTILOCK BRAKE SYSTEM MANUFACTURER</b>	BENDIX ABS	0	0	0
S WPXB1X	<b>ABS TRACTION CONTROL</b>	6 CHANNEL TRACTION CONTROL WITH LIMITED DISABLE	0	0	156

### ENGINE

S 932004	<b>DRIVETRAIN CONCEPT</b>	VOLVO STRAIGHT TORQUE	0	0	0
S 1017U1	<b>ENGINE PACKAGE</b>	VOLVO D16-500 HP 2000RPM 1850 LB-FT - EPA'14 EMISSION LEVEL	848	0	12,357

### ENGINE EQUIPMENT

S KWXA1X	<b>AIR CLEANER</b>	SINGLE STAGE AIR CLEANER	0	0	0
S JWXD1X	<b>AIR INTAKE</b>	HOOD MOUNTED AIR INTAKE	0	0	0
S H9XJ1X	<b>RADIATOR</b>	1395 SQ IN, 2 ROW CORE RADIATOR WITH FAN SHROUD RING	0	0	0
S K9X09X	<b>COOLANT</b>	EXTENDED LIFE ANTIFREEZE -34 F (-37 C)	0	0	0
S C4XA2X	<b>COOLANT MANUFACTURER</b>	CHEVRON TEXACO	0	0	0
S 208029	<b>FAN CLUTCH PACKAGE</b>	ELECTRONIC VISCOUS CSI FAN CLUTCH	0	0	0
S NCXA5X	<b>STARTER</b>	DELCO REMY 12V 39MTHD STARTER	0	0	0
S PJXMGX	<b>ALTERNATOR</b>	135 AMP DELCO REMY 35SI PAD MOUNT ALTERNATOR (12V)	0	0	0
S 810113	<b>BATTERY PACKAGE</b>	3 VOLVO 760 CCA MAINTENANCE FREE 12V BATTERIES, 2280 CCA	36	12	96
S L4X15X	<b>BATTERY BOX MOUNTING</b>	BATTERY BOX, LEFT HAND SIDE, BEHIND FRONT FENDER	0	0	0
S NQXA1X	<b>BATTERY BOX CONFIGURATION</b>	BATTERY BOX - 4 CAPACITY	0	0	0
S L5XB1X	<b>BATTERY BOX COVER</b>	BRIGHT DIAMOND PLATE BATTERY BOX COVER	7	1	116
S NFXA0X	<b>BATTERY DISCONNECT SWITCH</b>	MANUAL BATTERY DISCONNECT MAIN SWITCH	0	0	0
S 428001	<b>DIESEL EXHAUST FLUID TANK</b>	18.5 GALLON LH 26", FRAME MOUNTED (168 LBS OF DEF WHEN FILLED TO MAXIMUM LEVEL) INCLUDED IN BASE MODEL WEIGHT	0	0	0
S 230024	<b>EXHAUST SYSTEM</b>	COMPACT DPF MOUNTED RIGHT HAND SIDE UNDER CAB, FRAME MOUNTED SCR, WITH SINGLE VERTICAL STACK BACK OF CAB	22	14	0
S 232079	<b>EXHAUST OUTLET PACKAGE</b>	12' 6" ALUMINIZED STAINLESS STEEL SINGLE STACK	0	0	0
S K0XD1X	<b>EXHAUST FEATURES</b>	TURNED OUT EXHAUST EXTENSION	0	0	0
S DVXC3X	<b>LOWER EXHAUST PIPING</b>	ALUMINIZED STAINLESS STEEL EXHAUST PIPE	0	0	0
S CUXB1X	<b>EXHAUST PIPING FLEX SECTION</b>	STAINLESS STEEL EXHAUST FLEX SECTION	0	0	0
S KNXC1X	<b>EXHAUST SHIELD</b>	ALUMINUM EXHAUST SHIELD	0	0	0



S JVXDAX	PRIMARY FUEL FILTER	DAVCO FUEL PRO 382	5	0	335
S VWXCAX	COMPRESSOR	WABCO 31.8 CFM COMPRESSOR	0	0	0
S 2GBAZX	CLUTCHABLE AIR COMPRESSOR	NO CLUTCHABLE AIR COMPRESSOR PROVIDED	0	0	0
S HTXA8X	ENGINE BRAKE	VOLVO ENGINE BRAKE (I-VEB)	0	0	0
S NDXA1X	ENGINE STARTING AID	ENGINE MOUNTED ELECTRIC PRE-HEATER	6	0	242
S QHXA1X	ENGINE OIL PAN	COMPOSITE OIL PAN (STANDARD OIL CHANGE INTERVALS)	0	0	0

### TRANSMISSION

O RWXMNX	TRANSMISSION PACKAGE	EATON FULLER RTLO-18918B, 18 SPEED	89	30	174
O QPXAAX	TRANSMISSION APPLICATION	STANDARD DUTY	0	0	0
O RVXA1X	GEAR SHIFT LEVER	FIXED GEAR SHIFT LEVER	0	0	0
S 7RXB1X	TRANSMISSION LUBRICANT	SYNTHETIC TRANSMISSION LUBRICANT	0	0	0
O T2XC3X	TRANSMISSION COOLER	WATER TO OIL TRANS COOLER IN RADIATOR	0	0	0
S THXC2X	DRIVELINE MANUFACTURER	SPICER LIFE DRIVELINE WITH GREASEABLE XL U-JOINTS	0	0	253
S TKXA1X	DRIVELINE	CALCULATED TO TORQUE REQUIREMENTS	0	0	0
O 250095	CLUTCH	EATON 15.5" 2 PLATE CERAMETALLIC SOLO ADVANTAGE WITH VIBRATION CONTROL TECHNOLOGY (VCT) PLUS, 6 PAD - 1860 LB-FT CAPACITY	0	0	386
O RBXA1X	CLUTCH FEATURES	LUBE LINE BETWEEN RELEASE BEARING AND BELL HOUSING	0	0	0

### PROGRAMMABLE FEATURES

S 9KAB1X	IDLE EMISSION CERTIFICATION	IDLE EMISSION CERTIFICATION, CARB 08	0	0	0
S Y7BB1X	IDLE EMISSION LABEL LOCATION	CAB MOUNTED CARB '08 DECAL LOCATION	0	0	0
S 78AC5X	EMISSION ON BOARD DIAG CONTROL	EMISSION ON BOARD DIAGNOSTIC, DISPLAY ONLY, USA 2016	0	0	0
S A3AAAX	ENGINE IDLE AUTOMATIC SHUTDOWN (AL)	ENGINE IDLE SHUTDOWN, ENABLE	0	0	0
S E0XFLX	ENGINE IDLE SHUTDOWN TIME (AM)	IDLE SHUTDOWN TIME 5 MINUTES	0	0	0
S K7XA1X	ENGINE IDLE CONTROL (CMQ)	BASIC ENGINE IDLE CONTROL	0	0	0
S D3AAEX	AMBIENT TEMP MAX THRESHOLD (CMO)	MAX AMBIENT AIR TEMP OVER-RIDE, 80 DEG F (27 DEG C)	0	0	0
S D2AACX	AMBIENT TEMP MIN THRESHOLD (CMN)	MIN AMBIENT AIR TEMP OVER-RIDE, 45 DEG F (7 DEG C)	0	0	0



S JDXD1X	CRUISE CONTROL (AG)	WITH ECO CRUISE CONTROL	0	0	0
S JFXLLX	CRUISE CONTROL, MAX SPEED (AI)	MAXIMUM CRUISE, 65 MPH (105 KM/H)	0	0	0
S Y3CD0X	PEDAL ROAD SPEED LIMIT SETTING (P1116)	PEDAL ROAD SPEED LIMIT, 68 MPH (110 KM/H)	0	0	0
S JCXF1X	ROAD SPEED LIMIT SETTING (P1AOC)	ROAD SPEED LIMIT, 68 MPH (110 KM/H)	0	0	0
S U4AA1X	GEAR DOWN VEHICLE SPEED LIMITER (P1AL0)	GEAR DOWN VEHICLE SPEED LIMITER ENABLED	0	0	0
S U5AL1X	GEAR DOWN VEHICLE SPEED LIMIT (P1AOD)	GEAR DOWN VEHICLE SPEED, 63 MPH (101 KM/H)	0	0	0
S E3AAEX	CRUISE CONTROL MIN SPEED (BK)	MIN CRUISE, 30 MPH (48 KM/H)	0	0	0
S X2BA1X	ROAD SPEED LIMIT CONTROL TYPE (P1101)	WITH ECO RSL CONTROL	0	0	0
S 0NAA1X	OPTIMIZED FUEL ECON INDICATOR (P1LXM)	OPTIMIZED FUEL ECONOMY INDICATOR, SWEET SPOT	0	0	0
S X1BA1X	ENGINE LOAD IN PTO (CMM)	30% MINIMUM ENGINE LOAD LIMIT IN PTO BEFORE ALLOW IDLE SHUTDOWN	0	0	0
S W5BE1X	MAXIMUM ENGINE SPEED AT 0 MPH (P1ANA)	1400 MAXIMUM ENGINE RPM AT 0 MPH	0	0	0
S K5XA2X	ENGINE PROTECTION SYSTEM (P1FQT)	ENGINE PROTECTION (SHUTDOWN)	0	0	0
S X4BA1X	COOLANT WARM HOLD TEMP (KBS)	COOLANT WARM HOLD TEMP ENABLED	0	0	0
S 94AA1X	FAULT CODE DISPLAY FILTER	FAULT CODE DISPLAY FILTER	0	0	0
S 0RAD1X	DPF REGENERATION CONTROLS	DPF REGEN CONTROL, AUTO REGEN IN MOTION, MANUAL PARKED REGEN, MANUAL INHIBIT	0	0	0
S EXXGSX	PTO MAX ENGINE SET SPEED (AND)	PTO ENGINE MAXIMUM 700 RPM	0	0	0
S EYXGSX	PTO RESUME ENGINE SET SPEED (ANE)	PTO ENGINE RESUME 700 RPM	0	0	0

## FRONT AXLE

A 370438	FRONT AXLE PACKAGE	VOLVO VF20 20,000 LB FRONT SPRINGS, VNX HEAVY HAUL	365	0	3,633
S 70BC1X	BRAKE REGULATION	BRAKE REGULATION, STOPPING DISTANCE 250 FT (76M)	0	0	0
X 782002	FRONT BRAKE PACKAGE	FRONT BRAKE BENDIX SPICER, CAST S-CAM, STANDARD LUBE	0	0	0
S U5XB1X	FRONT BRAKE DIMENSION	16.5X6 FRONT BRAKE SIZE	15	0	79
S U3XA1X	BRAKE DRUM, FRONT AXLE	CAST IRON FRONT BRAKE DRUM OUTBOARD MOUNTED	0	0	0



S LQXAIX	FRONT BRAKE LINING MATERIAL	BRAKE LINING MATERIAL FRONT, BENDIX SPICER BX380	0	0	0
S UDXA1X	FRONT AXLE BRAKE DUST SHIELD	FRONT BRAKE DUST SHIELDS	6	0	91
S 0KXG1X	HUBS, FRONT AXLE	IRON UNITIZED FRONT AXLE HUBS	49	0	-42
S ZGXC1X	FRONT OIL SEAL CAP	UNITIZED FRONT AXLE OIL SEAL CAP	0	0	0
S 7VXC1X	FRONT AXLE LUBRICANT	PETROLEUM / SYNTHETIC (50 / 50) FRONT AXLE LUBRICANT	0	0	0
S XAXBFX	POWER STEERING GEAR	TRW THP60 INTEGRAL POWER STEERING GEAR	0	0	0
S XEXC1X	POWER STEERING ASSIST	DUAL STEERING GEARS - VNX	48	0	1,018
S M0XA1X	STEERING SHAFT TYPE	BASIC STEERING SHAFT	0	0	0
S 371001	FRONT SUSPENSION PACKAGE	59" PARABOLIC LEAF FRONT SUSPENSION MATCHED TO FRONT AXLE CAPACITY	0	0	0
S IRXA1X	SPRING MAINTENANCE TYPE	LUBRICATED SPRING PINS AND BUSHINGS	0	0	0

## REAR AXLE

S 330444	REAR AXLE PACKAGE	MERITOR RT46-160 46,000 LB CAPACITY	0	445	2,739
O TAXGWX	REAR AXLE RATIO	4.10 REAR AXLE RATIO	0	0	0
O TUXA1X	DIFFERENTIAL LOCK	FULL LOCKING WHEEL DIFFERENTIAL	0	63	1,124
S 350481	REAR SUSPENSION PACKAGE	46,000 LB NEWAY ADZ-246 HIGH HEIGHT 54" SPACING	0	179	7,224
S YVXA1X	REAR SHOCK ABSORBER	REAR SHOCK ABSORBERS	0	0	0
S 783002	REAR BRAKE PACKAGE	REAR BRAKE BENDIX SPICER, CAST S-CAM, STANDARD LUBE	0	8	136
S U8XA1X	DRIVE AXLE BRAKE DIMENSION	16.5X7 REAR BRAKE SIZE	0	0	0
S U4XA1X	BRAKE DRUM, DRIVE AXLE	CAST IRON DRIVE AXLE BRAKE DRUM OUTBOARD MOUNTED	0	0	0
S UEXA1X	DRIVE AXLE BRAKE DUST SHIELD	REAR BRAKE DUST SHIELDS	0	12	90
S MAXF1X	DRIVE AXLE BRAKE LINING MATERIAL	BRAKE LINING MATERIAL DRIVE, BENDIX SPICER ES-600	0	0	0
S 0LX15X	HUBS, DRIVE AXLE	IRON PRESET PLUS DRIVE AXLE HUB WITH INTEGRATED SPINDLE NUT	0	0	-52
S 7WXADX	REAR AXLE LUBRICANT	CHEVRON DELO GEAR LUBRICANT ESI SAE 80W-90 (APPROVED FOR MERITOR EXTENDED COMPONENT WARRANTY ONLY)	0	0	0
S 781056	PARKING BRAKE CHAMBER PACKAGE	FOUR CAM TYPE HALDEX	0	0	0
S V1AB1X	REAR BRAKE CHAMBER SIZE	REAR BRAKE CHAMBER 30 / 30 SQ INCHES (SERVICE / EMERGENCY)	0	0	0



S UKXB1X	CHAMBER STROKE LENGTH, DRIVE AXLE	EXTENDED LENGTH BRAKE CHAMBER STROKE	0	1	66
S 784010	FRONT AND REAR SLACK ADJUSTERS	HALDEX BRAKE ADJUSTER FRONT, REAR, AND PUSHER	0	0	0
S VAXB1X	SLACK ADJUSTERS FRONT AND REAR	AUTOMATIC SLACK ADJUSTERS	0	0	0
S O5BD1X	FRONT BRAKE CHAMBER SIZE	FRONT BRAKE CHAMBER 24 SQUARE INCHES (SERVICE)	0	0	0

### AUXILIARY AXLE

S 335035	AUXILIARY AXLE PACKAGE	1 HENDRICKSON COMPOSITITE SC 13K STEERABLE PUSHER AXLE - AUXILIARY WHEEL AND TIRE SELECTION SUBJECT TO HENDRICKSON GUIDELINES FOR TIRE TO GROUND CLEARANCE	0	0	0
S GYXGCX	FIRST PUSHER AXLE SPACING	48" (1220MM) AHEAD OF FWD DRIVE AXLE	0	0	0
S U9XAKX	AUXILIARY AXLE BRAKE DIMENSION	15X4 AUXILIARY AXLE BRAKE SIZE	0	0	0
S U6XA1X	AUXILIARY AXLE BRAKE DRUM	CAST IRON AUXILIARY AXLE BRAKE DRUM OUTBOARD MOUNTED	0	0	0
S 785007	PUSHER AND TAG AXLE BRAKE PACKAGE	PUSHER BRAKE BENDIX SPICER, CAST S-CAM, STANDARD LUBE	0	0	0
O Q2BE0X	BRAKE LINING MATERIAL, PUSHER	BRAKE LINING MATERIAL PUSHER, BENDIX SPICER EES-600 (REPLACES Q2BE1X)	0	0	0
S 786005	PUSHER AND TAG AXLE BRAKE CHAMBER PACKAGE	PUSHER WITH HALDEX CHAMBERS	0	0	0
S Q6BC1X	PUSHER BRAKE CHAMBER SIZE	PUSHER BRAKE CHAMBER 20SQ INCHES	0	0	0
S 8CXB1X	AUXILIARY AXLE CONTROL LOCATION	INSIDE CAB AUXILIARY AXLE CONTROL LOCATION. UP/DOWN SWITCH ONLY INSIDE, AIR REGULATOR AND GAUGE OUTSIDE OF CAB	0	0	0
S 0NXD1X	HUBS, AUXILIARY AXLE	ALUMINUM PRESET PLUS AUXILIARY AXLE HUB WITH INTEGRATED SPINDLE NUT	0	0	0

### CHASSIS

S 3XBHAX	DRIVER SIDE FRONT CHASSIS CONFIGURATION	LEFT HAND BATTERY BOX - 4 CAPACITY, DEF TANK MOUNTED BEHIND BATTERY BOX (VN)	0	0	0
S 3YBEAX	PASSENGER SIDE FRONT CHASSIS CONFIGURATION	FRAME MOUNTED SCR WITH VOLVO D16 ENGINE (VNL)	0	0	0
S 400232	WHEELBASE	232" WHEELBASE	232	-61	78
S 402057	OVERHANG	57" OVERHANG	-1	5	0
S KBXB1X	FUEL TANK SHAPE - DIESEL	26" DIA CYLINDRICAL FUEL TANK	0	0	0





S J8XB1X	FUEL TANK, LEFT HAND SIDE - DIESEL	75 GALLON LEFT HAND FUEL TANK	0	0	0
S J9XK1X	FUEL TANK, RIGHT HAND SIDE - DIESEL	NO RIGHT HAND DIESEL TANK PROVIDED	0	0	0
S KEXA1X	FUEL TANK MATERIAL - DIESEL	ALUMINUM FUEL TANK MATERIAL	0	0	0
S HBXB1X	FUEL TANK POSITION	FUEL TANK POSITION 1	0	0	0
S 8NAA1X	DPF COVER	DPF COVER, PAINTED STEEL	0	0	0
S U6BA1X	DIESEL EXHAUST FLUID TANK COVER	PAINTED DIESEL EXHAUST FLUID TANK COVER	0	0	0
S 45XC1X	AERODYNAMIC DEVICE CAB SKIRT	CUSTOM CAB SKIRT	0	0	0
S JHXA1X	FUEL LINES	NYLON FUEL LINES	0	0	0
S KHXA1X	FUEL TANK STRAPS	PAINTED STEEL FUEL TANK STRAPS	0	0	0
S KFXA1X	FUEL TANK CAP / DEF TANK CAP	NON-LOCKING FUEL TANK CAP	0	0	0
S 8HAA1X	AIR TANK ARRANGEMENT	AIR TANK ARRANGEMENT, BASIC	0	0	0
S U2XB1X	AIR TANKS	STEEL AIR TANKS	0	0	0
S VHXD7X	AIR DRYER	MERITOR WABCO AIR DRYER, 1200UP WITHOUT TURBO CUT OFF VALVE, WITH HEATER AND COALESCING OIL FILTER	0	0	0
S UWXD1X	AIR TANK DRAIN VALVE	MANUAL DRAIN VALVES, LANYARD ON WET TANK	0	0	0
S 403010	FRAME RAIL PACKAGE	11.81"X3.54"X.44" STRAIGHT STEEL RAILS	258	258	1,022
S 8EXB1X	INTERMEDIATE CROSSMEMBER MATERIAL	STEEL CROSSMEMBER MATERIAL	0	0	0
S OAXA1X	INTERMEDIATE CROSSMEMBER CONFIGURATION	BASIC INTERMEDIATE CROSSMEMBER	0	0	0
S X8XB1X	FORWARD REAR SUSP CROSSMEMBER MATERIAL	STEEL CROSSMEMBER MATERIAL	0	0	0
S ZIXA1X	BOGIE CROSSMEMBER MATERIAL	STEEL CROSSMEMBER MATERIAL	0	0	0
S X6XB1X	REAR FRAME TREATMENT	TAPERED REAR CROSSMEMBER, 27 DEGREE	0	0	0
S 4DXA4X	FRONT BUMPER	BRIGHT FINISH STAINLESS CLAD ALUMINUM AERO BUMPER	35	0	1,066
S FRXA1X	BUMPER POSITION	BUMPER MOUNTED STANDARD POSITION	0	0	0
S 65XB1X	FRONT FENDER EXTENSION	NO FRONT FENDER EXTENSION PROVIDED	0	0	0
S 5EXB1X	PROTECTION PLATE, RADIATOR/OIL PAN	LOWER RADIATOR HEAVY DUTY ROCK GUARD	0	0	0
S 4EXB1X	FRONT TOWING DEVICE	TWO FRONT TOWING DEVICES	0	0	0
S Q8CH1X	MAIN CHASSIS WIRING HARNESS COVERING	HEAVY DUTY MAIN CHASSIS WIRING HARNESS COVERING	2	3	276



S U7CFLX	LH FUEL TANK FACE LOCATION	LH FUEL TANK FRONT FACE @ XM=4957	0	0	0
----------	----------------------------	-----------------------------------	---	---	---

### TRANSPORT ADAPTATION

O 490231	FIFTH WHEEL PACKAGE	SAF HOLLAND FW35 AIR SLIDE LEFT HAND RELEASE	-4	-37	272
O LPXC1X	FIFTH WHEEL GROUND STRAP	COILED FIFTH WHEEL GROUND STRAP	0	2	30
S 488495	FIFTH WHEEL HEIGHT	49.5" FIFTH WHEEL HEIGHT	0	0	0
A 6JXAAX	SLIDING FIFTH WHEEL TRAVEL	36.0 INCHES OF FIFTH WHEEL TRAVEL	0	46	479
S 6BX54X	FIFTH WHEEL REARMOST LOCATION	27" BEHIND FWD AXLE CENTER (-685MM)	0	0	0
S LIXA1X	FIFTH WHEEL ANGLE MATERIAL	STEEL FIFTH WHEEL ANGLES	0	0	0
S 51XA1X	HOSEHANGERS	DUMMY GLADHANDS AND CABLE STORAGE BRACKET LEFT HAND BACK OF CAB REACHABLE FROM GROUND	0	0	0
S WHXD1X	TRAILER BRAKE CONNECTION POSITION	CAB MOUNTED TRAILER BRAKE CONNECTION	0	0	0
S WKX99X	HOSE TENDER POSITION	NO HOSE TENDER POSITION PROVIDED	0	0	0
S 52XA1X	TRAILER ELECTRICAL CABLE	FIXED TRAILER CABLE	0	0	0
O 5ZXA1X	TRAILER BRAKE HOSES & CABLES	15' COILED TRAILER BRAKE HOSES AND CABLE	1	0	70
O WLXA1X	TRAILER BRAKE HAND CONTROL	FULL PRESSURE TRAILER BRAKE HAND CONTROL	2	0	86

### CAB EXTERIOR

O 2DX30X	CAB SUSPENSION	AIR RIDE CAB SUSPENSION WITH LATERAL DAMPENERS	-11	-2	72
S 21XA1X	AUXILIARY REAR WINDOW	STANDARD REAR WINDOW	0	0	0
S D2XA1X	WIPER BLADE	BASIC WIPER BLADE	0	0	0
S 28XH3X	FRONT GRILLE	CHROME PLATED FRONT GRILLE, HEAVY HAUL	0	0	0
S H6XA1X	BUG SCREEN	BUG SCREEN BEHIND GRILLE	0	0	0
S 0EAC1X	AIR INTAKE GRILLE FINISH	AIR INTAKE GRILLE, BLACK	0	0	0
O LZXC2X	AIR HORN	DUAL ROOF MOUNTED BRIGHT AIR HORNS, DUAL TONE	4	0	239
S 3FX49X	EXTERIOR SIDE VIEW MIRRORS	BLACK AERODYNAMIC MIRRORS	0	0	0
O 3GXC1X	EXTERIOR MIRROR FEATURES	HEATED, POWER AXIS MIRROR, BOTH SIDES	2	0	268
O EDXB8X	AUXILIARY MIRROR, HOOD	HOOD MTD MIRROR, BOTH SIDES, AERODYNAMIC	10	0	161



S 4NXB1X	EXTERIOR SUNVISOR	FIBERGLASS EXTERIOR SUNVISOR WITH LED MARKER LAMPS	0	0	0
----------	-------------------	--	---	---	---

### CAB INTERIOR

S 540066	INTERIOR TRIM PACKAGE	CHOICE VINYL WITH ESPRESSO BROWN TRIM PACKAGE	0	0	0
S 35XD1X	SEAT MANUFACTURER	NATIONAL SEAT	0	0	0
S 3YXG8X	DRIVER SEAT TYPE	COMFORT AIR SUSPENSION HIGH BACK	0	0	0
S 32X57X	PASSENGER SEAT TYPE	STATIONARY TOOL BOX HIGH BACK	0	0	0
S 542002	DRIVER SEAT UPHOLSTERY	DRIVER SEAT ESPRESSO BROWN VINYL	0	0	0
S 543002	PASSENGER SEAT UPHOLSTERY	PASSENGER SEAT ESPRESSO BROWN VINYL	0	0	0
S K7AA1X	SAFETY BELT LENGTH	STANDARD SAFETY BELT LENGTH	0	0	0
S OUXA1X	SAFETY BELT DRIVER SEAT	SAFETY BELT DRIVER SEAT, BLACK	0	0	0
S OXXA1X	SAFETY BELT PASSENGER SEAT	SAFETY BELT PASSENGER SEAT, BLACK	0	0	0
S 4AXB1X	CLIMATE UNIT	INTEGRAL AIR CONDITIONER WITH HEATER - MANUAL CONTROLS	0	0	0
S 41X25X	PARKING HEATER	WITHOUT PARKING HEATER	0	0	0
S M5XB1X	DOG HOUSE	DOG HOUSE ONE PIECE	0	0	0
S 4JXD1X	STORAGE OVERHEAD DRIVER	NETTED OVERHEAD STORAGE (DRIVER/PASSENGER SIDES) WITH CB MOUNTING AND AUXILIARY SWITCHES	0	0	0
S 571015	GAUGE PACKAGE	EIGHT GAUGE INSTRUMENT CLUSTER WITH BASE DRIVER INFORMATION DISPLAY (DID)	0	0	0
S Y7CB1X	DIAGNOSTICS DISPLAY IN CLUSTER	ENHANCED DIAGNOSTICS DISPLAY IN CLUSTER (BASIC AND OBD FAULT CODES DISPLAYED)	0	0	0
O CCXB1X	SECONDARY GAUGE PACKAGE	SECONDARY GAUGE PACKAGE WITH ENGINE AND TRANSMISSION TEMPERATURE GAUGES	0	0	127
S PVXA2X	AIR RESTRICTION INDICATOR	GRADUATED ARI ON FILTER	0	0	0
S N8XD1X	SPEEDOMETER GRADUATION	MPH SPEEDOMETER GRADUATION	0	0	0

### LIGHTING

S 836003	HEADLAMPS	LED HEADLAMPS	0	0	0
S D5CAAX	HEADLAMP FINISHING	HEADLAMP FINISHING, BASIC	0	0	0
S LSXG1X	DAYTIME RUNNING LAMPS	EQUIPPED WITH DAYTIME RUNNING LIGHTS	0	0	0



S NEXH1X	<b>STOP AND TAIL LIGHTS</b>	DUAL INTEGRATED SUPER 60 LED TAIL LIGHTS WITH SEPARATE LED BACKUP LIGHT - ALL LIGHTS MOUNTED IN TAPERED CROSSMEMBER	0	0	0
S 3BXB1X	<b>REFLECTORS BACK OF CAB</b>	WHITE REFLECTORS BACK OF CAB	0	0	0
S NPXB1X	<b>TURN SIGNAL SWITCH</b>	SELF CANCELLING TURN SIGNAL SWITCH	0	0	0
S 3XCB1X	<b>INTERIOR ILLUMINATION TYPE</b>	LED INTERIOR LIGHTING	0	0	0

### AUDIO SYSTEM

S 590013	<b>RADIO PACKAGE</b>	AM / FM / CD / MP3 / BLUETOOTH RADIO	0	0	0
S 73AJ1X	<b>RADIO ANTENNA</b>	SINGLE RH 48 INCH MIRROR MTD RADIO ANTENNA	0	0	0
S LYXC1X	<b>STEERING WHEEL CONTROLS</b>	MARKER INTERRUPT, HEADLAMP INTERRUPT, RADIO, PHONE CONTROLS IN STEERING WHEEL	0	0	0
S 5CXA1X	<b>RADIO SPEAKERS</b>	SPEAKERS IN DASH ONLY	0	0	0
S 5JXB1X	<b>CB RADIO MOUNTING</b>	OVERHEAD MOUNTED CB HOLD DOWN	0	0	0
S 5BXB5X	<b>CB ANTENNA</b>	SINGLE LEFT HAND 48 INCH MIRROR MOUNTED CB ANTENNA	0	0	0

### MISC CAB EQUIPMENT

S 2XX20X	<b>WINDOW LIFT</b>	MANUAL WINDOW LIFT	0	0	0
S 3AXB1X	<b>DOOR LOCKS CAB</b>	MANUAL CAB DOOR LOCKS	0	0	0
S 20XA1X	<b>KEY TYPE</b>	BASIC UNIQUE KEY	0	0	0
S 8BXB1X	<b>KEY QUANTITY PER UNIT</b>	4 KEYS PROVIDED PER UNIT	0	0	0
S OIXA1X	<b>HOOD CATCH CONTROL</b>	HOOD CATCH CONTROL INTERIOR	0	0	0
S N1XA1X	<b>ELECTRICAL DASH OUTLET</b>	ONE 12 VOLT DASH OUTLET	0	0	0

### TIRES AND WHEELS FRONT

S 093719	<b>TIRE PACKAGE FRONT</b>	315/80R22.5L BRIDGESTONE M860A (20000 LBS. GAWR) ON/OFF ROAD USAGE	94	0	560
S 4WCC1X	<b>TIRE CLASSIFICATION FRONT</b>	GHG FRONT TIRE CLASSIFICATION, LOW ROLLING RESISTANCE	0	0	0
O 084491	<b>RIM/WHEEL PACKAGE FRONT</b>	22.5X9.00 MAXION STEEL POWDER COAT WHITE 286BC 5 HAND HOLES HUB PILOTTED	48	0	-230
S 907002	<b>FRONT WHEEL AND TIRE QUANTITY</b>	TWO FRONT WHEELS AND TIRES	0	0	0

### TIRES AND WHEELS REAR



O 094611	TIRE PACKAGE REAR	11R22.5G BRIDGESTONE M726 EL (21660 LBS. GAWR) LONG / REGIONAL HAUL	0	128	-8
S 4XCG1X	TIRE CLASSIFICATION REAR	GHG REAR TIRE CLASSIFICATION, OTHER (NON -SPECIFIED)	0	0	0
O 085486	RIM/WHEEL PACKAGE REAR	22.5X8.25 MAXION STEEL POWDER COAT WHITE 286BC 2 HAND HOLES HUB PILOTED	0	16	-1,624
S 908008	DRIVE WHEEL AND TIRE QUANTITY	EIGHT DRIVE WHEELS AND TIRES	0	0	0

### **TIRES AND WHEELS AUXILIARY**

S 095725	TIRE PACKAGE AUXILIARY AXLE	295/75R22.5G BRIDGESTONE R268 (12350 LBS. GAWR) REGIONAL / URBAN USAGE	0	0	0
O 4YCC1X	TIRE CLASSIFICATION AUXILIARY	GHG AUXILIARY TIRE CLASSIFICATION, LOW ROLLING RESISTANCE	0	0	0
O 086088	RIM/WHEEL PACKAGE AUXILIARY AXLE	22.5X8.25 ACCURIDE STEEL POWDER COAT WHITE 286BC 2 HAND HOLES HUB PILOTED	0	-36	-372
S 0EXA1X	WHEEL & TIRE MOUNTING-AUXILIARY AXLE	SINGLE WHEEL/TIRE MOUNT-AUXILIARY AXLE	0	0	0
S 909002	AUXILIARY AXLE WHEEL AND TIRE QUANTITY	TWO AUXILIARY AXLE WHEELS AND TIRES	0	0	0

### **MISC TIRE EQUIPMENT**

S 15XABX	TIRE INFLATION VALVE	TIRE INFLATION VALVE, STANDARD	0	0	0
----------	----------------------	--------------------------------	---	---	---

### **PAINT**

S 950800	CAB PAINT SCHEME	SINGLE COLOR PAINT	0	0	0
S 9801T4	FIRST CAB COLOR	GLACIER WHITE P3029	0	0	0
S 955040	CAB PAINT TYPE	BC/CC-SOLID	0	0	0
S 9861U1	CHASSIS COLOR	BLACK P3036	0	0	0
S 988401	DISC WHEEL OR RIM COLOR	STEEL DISC WHEELS-PREPAINTEED WHITE, POWDER-COAT, ALUMINUM OR STYLIZED DISC-UNPAINTED	0	0	0
S 989949	SPOKE WHEEL / HUB COLOR	SPOKE WHL/HUB SAME AS CHASSIS-AL UNPTD	0	0	0

### **BUSINESS SERVICES**

S 9LAA1X	PRE-DELIVERY INSPECTION	PRE-DELIVERY INSPECTION, BASIC	0	0	0
S 975014	EXTENDED LEAD TIME	FOURTEEN WEEK LEAD TIME	0	0	0
S 935002	LEAD TIME ITEM	CA MODEL	0	0	0

### **BASE WARRANTY AND PURCHASED COVERAGES**



S 899302	<b>WARRANTY TYPE</b>	HEAVY_DUTY_STANDARD_BASE_COVERAGE 12_MONTHS/100,000_MILES	0	0	0
S 895900	<b>VOLVO D16 ENGINE EXTENDED COVERAGE</b>	VOLVO D16 BASE ENGINE COVERAGE - 24 MO/250K MILE/402.5K KILOMETER OR 6250 HOURS	0	0	0
S 875001	<b>VEHICLE EMISSIONS COMPONENTS COVERAGE</b>	US & CANADA VOLVO ENGINE EQUIPPED VEHICLE EMISSIONS COMPONENTS COVERAGE_60 MONTHS/100K_MILES	0	0	0
O 880009	<b>TRANSMISSION COVERAGE</b>	EATON FULLER STANDARD DUTY WARRANTY FOR ALL MANUAL AND AUTOMATED TRANSMISSIONS, ANY TORQUES, 36 MTHS/UNLIMITED MILES	0	0	0
S 888900	<b>ADDITIONAL EXTENDED CHASSIS TOWING COVERAGE</b>	BASE CHASSIS TOWING COVERAGE, 90 DAY/5000 MILE/8050 KILOMETER	0	0	0
S 874900	<b>ADDITIONAL EXTENDED ENGINE TOWING COVERAGE</b>	BASE VOLVO ENGINE TOWING COVERAGE, 24 MO/250K MILE	0	0	0
O 691004	<b>FRONT TIRE SURCHARGE</b>	FRONT TIRE SURCHARGE	0	0	80
O 869001	<b>DRIVE TIRE SURCHARGE</b>	DRIVE TIRE SURCHARGE	0	0	320
O 915001	<b>AUXILIARY TIRE SURCHARGE</b>	AUXILIARY TIRE SURCHARGE	0	0	164
S 866001	<b>REMOTE DIAGNOSTICS BUNDLE</b>	REMOTE DIAGNOSTICS: INCLUDES ASIST AND VOLVO ACTION SERVICE - 24 MONTHS	0	0	0
S 867001	<b>UPTIME CENTER BUNDLE</b>	ASIST AND VOLVO ACTION SERVICE - 24 MONTHS	0	0	0

### **SUB TOTALS**

BASE WEIGHT/PRICE	9,213	7,374	189,429
FACTORY OPTION WEIGHT/PRICE	2,165	1,087	33,357
DEALER OPTION WEIGHT/PRICE	0	0	0

### **TOTALS**

TOTAL PRICE(\$)			222,786
TOTAL WEIGHT(LB)	11,378	8,461	19,839