



CITY OF SAN ANTONIO
PURCHASING AND GENERAL SERVICES DEPARTMENT

FORMAL INVITATION FOR BID ("IFB") NO.: 6100006830

PURCHASE OF HEAVY EQUIPMENT

Date Issued: NOVEMBER 9, 2015

BIDS MUST BE RECEIVED NO LATER THAN:
2:00 PM CENTRAL TIME DECEMBER 4, 2015

ORIGINAL

Bids may be submitted by any of the following means:
Electronic submission through the Portal
Hard copy in person or by mail

Address for hard copy responses:

Physical Address:

City Clerk's Office
100 Military Plaza
2nd Floor, City Hall
San Antonio, Texas 78205

Mailing Address:

City Clerk's Office
P.O. Box 839966
San Antonio, Texas 78283-3966

For Hard Copy Submissions, Mark Envelope

"PURCHASE OF HEAVY EQUIPMENT"

Bid Due Date: 2:00 p.m. CENTRAL TIME, DECEMBER 4, 2015

Bid No.: 6100006830

Bidder's Name and Address

Bid Bond: None Performance Bond: None Payment Bond: None Other: None

See Supplemental Terms & Conditions for information on these requirements.

Affirmative Procurement Initiative:

DBE / ACDBE Requirements:

See Instructions for Bidders and Attachments sections for more information on these requirements.

Pre-Submittal Conference * YES

* If YES, the Pre-Submittal conference will be held on NOVEMBER 17, 2015 at 10.00 AM at FLEET TRAINING ROOM,
329 S. FRIO ST., SAN ANTONIO, TX 78207

Staff Contact Person: LD MCGARITY, PROCUREMENT SPECIALIST II, P.O. Box 839966, San Antonio, TX 78283-3966.

Email: ld.mcgarity@sanantonio.gov

Phone: 210-207-2078

Fax: 210-207-4360

002 - TABLE OF CONTENTS

002 - TABLE OF CONTENTS 2

003 - INSTRUCTIONS FOR BIDDERS 3

004 - SPECIFICATIONS / SCOPE OF SERVICES 9

005 - SUPPLEMENTAL TERMS & CONDITIONS 17

006 - GENERAL TERMS & CONDITIONS 19

007 - SIGNATURE PAGE 24

008 - STANDARD DEFINITIONS 25

009 - ATTACHMENTS 27

003 - INSTRUCTIONS FOR BIDDERS

Submission of Bids.

Submission of Hard Copy Bids. Submit one original bid, signed in ink, and two copies of the bid enclosed in a sealed envelope addressed to the City Clerk at the address and by the due date provided on the Cover Page. The name and address of Bidder, the date and hour of the bid opening, bid number and title of the bid solicitation shall be marked on the outside of the envelope(s). All times stated herein are Central Time. Any bid or modification received after the time and date stated on the Cover Page shall be rejected.

Submission of Electronic Bids. Submit one bid electronically by the due date provided on the Cover Page. All times stated herein are Central Time. Any bid or modification received after the time and date stated on the Cover Page shall be rejected. All forms in this solicitation which require a signature must have a signature affixed thereto, either by manually signing the document, prior to scanning it and uploading it with your submission, or affixing it electronically.

Bids sent to City by facsimile or email shall be rejected.

Modified Bids. Bids may be modified provided such modifications are received prior to the time and date set for submission of bids, and submitted in the same manner as original bids. For hard copy bids, provide a cover letter with the bid, indicating it is a modified bid and that the Original bid is being withdrawn. For electronic bids, a modified bid will automatically replace a prior bid submission. See below for information on submitting Alternate Bids.

City shall not be responsible for lost or misdirected bids or modifications.

Bidders must sign the Signature Page on hard copy bids and return the IFB document to City. For electronic bids, Bidder's electronic submission, with accompanying affirmations, constitutes a binding signature for all purposes.

Bidders are cautioned that they are responsible for the security of their log on ID and password, since unauthorized use could result in Bidder's being held liable for the submission.

Certified Vendor Registration Form. If Bidder has not completed City's Certified Vendor Registration (CVR) Form, Bidder is required to do so prior to the due date for submission of bids. The CVR form may be accessed at: <http://www.sanantonio.gov/purchasing/>. Bidders must identify the correct name of the entity that will be providing the goods and/or services under the contract. No nicknames, abbreviations (unless part of the legal title), shortened or short-hand names will be accepted in place of the full, true and correct legal name of the entity.

Alternate Bids. Alternate bids may be allowed at the sole discretion of City.

Hard Copy Alternate Bids. Alternate bids must be submitted in separate sealed envelopes in the same manner as submission of other bids. Alternate bids must be marked consecutively on the envelope as Alternate Bid No. 1, 2, etc. Failure to submit alternate bids in separate envelopes may result in rejection of a bid.

Electronic Alternate Bids Submitted Through the Portal. All alternate bids are recorded with original bids when submitted electronically.

Catalog Pricing. (This section applies to bids using catalog pricing.)

The bid will be based on manufacturer's latest dated price list(s). Said price list(s) must denote the manufacturer, latest effective date and price schedule.

Bidders shall be responsible for providing one copy of the manufacturer's catalog for each manufacturer for which a bid is submitted. Bidder shall provide said catalog at the time of submission of its bid. Manufacturers' catalogs may be submitted in any of the following formats: paper copy or CD ROM for bids submitted on paper, or PDF file for bids submitted electronically.

Bidders may submit price lists other than the manufacturer's price list. Said price list(s) must denote the company name, effective date and price schedule. These price lists are subject to approval of City Purchasing & General Services Department.

Specified items identified herein, if any, are for overall bid evaluation and represent the commonly and most used items. Net prices entered for those specified items must reflect the actual price derived from quoted price list less all discounts offered.

Restrictions on Communication.

Bidders are prohibited from communicating with: 1) elected City officials and their staff regarding the IFB or bids from the time the IFB has been released until the contract is posted as a City Council agenda item; and 2) City employees from the time the IFB has been released until the contract is awarded. These restrictions extend to "thank you" letters, phone calls, emails and any contact that results in the direct or indirect discussion of the IFB and/or bid submitted by Bidder. Violation of this provision by Bidder and/or its agent may lead to disqualification of Bidder's bid from consideration.

Exceptions to the restrictions on communication with City employees include:

Bidders may ask verbal questions concerning this IFB at the Pre-Submittal Conference.

Bidders may submit written questions, or objections to specifications, concerning this IFB to the Staff Contact Person listed on the Cover Page on or before 7 calendar days prior to the date bids are due. Questions received after the stated deadline will not be answered. Questions submitted and City's responses will be posted with this solicitation. All questions shall be sent by e-mail or through the portal.

Bidders may provide responses to questions asked of them by the Staff Contact Person after bids are received and opened. The Staff Contact Person may request clarification to assist in evaluating Bidder's response. The information provided is not intended to change the bid response in any fashion. Such additional information must be provided within two business days from City's request.

Bidders and/or their agents are encouraged to contact the Small Business Office of the International and Economic Development Department for assistance or clarification with issues specifically related to the City's Small Business Economic Development Advocacy (SBEDA) Program policy and/or completion of the SBEDA form(s), if any. The point of contact is identified on the Cover Page. Contacting the Small Business Office regarding this IFB after the bid due date is not permitted. If this solicitation contains Affirmative Procurement Initiatives, it will be noted on the Cover Page.

If this solicitation contains DBE/ACDBE requirements, bidders and/or their agents may contact the Aviation Department's DBE/ACDBE Liaison Officer for assistance or clarification with issues specifically related to the DBE/ACDBE policy and/or completion of the required form(s). Point of contact is Ms. Lisa Brice, who may be reached via telephone at (210) 207-3505 or through e-mail at lisa.brice@sanantonio.gov. Bidders and/or their agents may contact Ms. Brice at any time prior to the due date for submission of bids. Contacting her or her office regarding this IFB after the bid due date is not permitted. If this solicitation contains DBE/ACDBE requirements, it will be noted on the Cover Page.

Pre-Submittal Conference.

If a Pre-Submittal Conference is scheduled, it will be held at the time and place noted on the Cover Page. Bidders are encouraged to prepare and submit their questions in writing in advance of the Pre-Submittal Conference in order to expedite the proceedings. City's responses to questions received prior to the conference may be distributed at the Pre-Submittal Conference and posted with this solicitation. Attendance at the Pre-Submittal Conference is optional, but highly encouraged.

This meeting place is accessible to disabled persons. Call the Staff Contact Person for information on the location of the wheelchair accessible entrance, or to request an interpreter for the deaf. Interpreters for the deaf must be requested at least 48 hours prior to the meeting. For other assistance, call (210) 207-7245 Voice/TTY.

Any oral response given at the Pre-Submittal Conference that is not confirmed in writing and posted with this solicitation shall not be official or binding on the City.

Changes to IFB.

Changes to this IFB made prior to bid opening shall be made directly to the original IFB. Changes are captured by creating a replacement version each time the IFB is changed. It is Bidder's responsibility to check for new versions

until the bid due date. City will assume that all bids received are based on the final version of the IFB as it exists on the day bids are due.

No oral statement of any person shall modify or otherwise change or affect the terms, conditions or specifications stated in the IFB.

Preparation of Bids.

All information required by the IFB must be furnished or the bid may be deemed non-responsive and rejected. Any ambiguity in the bid as a result of omission, error, unintelligible or illegible wording shall be construed in the favor of City.

Correct Legal Name. If Bidder is found to have incorrectly or incompletely stated the name of the entity that will provide goods and/or services, the bid may be rejected.

Line Item Bids. Any bid that is considered for award by each unit or line item, must include a price for each unit or line item for which Bidder wishes to be considered. All bids are awarded on the basis of low line item, low total line items, or in any other combination that serves the best interest of City, unless City designates this solicitation as an "all or none" bid in the Supplemental Terms & Conditions.

All or None Bids. Any bid that is considered for award on an "all or none" basis must include a price for all units or line items. In an "All or None" bid, a unit price left blank shall result in the bid being deemed nonresponsive and disqualified from consideration. An "All or None" bid is one in which City will award the entire contract to one bidder only.

Delivery Dates. Proposed delivery dates must be shown in the bid form where required and shall include weekends and holidays, unless specified otherwise in this IFB. Proposed delivery times must be specific. Phrases such as "as required", "as soon as possible" or "prompt" may result in disqualification of the bid. Special delivery instructions, if any, may be found in the Specifications / Scope of Services section of this document, or in the Purchase Order.

Tax Exemption. The City of San Antonio is exempt from payment of federal taxes, and State of Texas limited sales excise and use taxes. Bidders must not include such taxes in bid prices. An exemption certificate will be signed by City where applicable upon request by Bidder after contract award.

Description of Supplies.

Any brand names, catalog or manufacturer's reference used in describing an item is merely descriptive, and not restrictive, unless otherwise noted, and is used only to indicate quality and capability desired.

Bids submitted for comparable items must clearly identify the proposed product, model, and type, as applicable, and shall include manufacturer specification sheet(s) for each proposed item with bid response. Product specifications shall be the most current available and be sufficiently detailed and descriptive so as to permit City to determine the item's suitability and compliance with bid specifications. City shall be the sole judge of equality and suitability of comparable items.

Pro-rata adjustments to packaging and pricing may be allowed at the sole discretion of City.

Samples, Demonstrations and Pre-award Testing. If requested by City, Bidder shall provide product samples, demonstrations, and/or testing of items bid to ensure compliance with specifications prior to award of the contract. Samples, demonstrations and/or testing must be provided within 7 calendar days of City's request. Failure to comply with City's request may result in rejection of a bid. All samples (including return thereof), demonstrations, and/or testing shall be at Bidder's expense. Samples will be returned upon written request. Requests for return of samples must be made in writing at the time the samples are provided. Otherwise, samples will become property of City at no cost to City. Samples that are consumed or destroyed during demonstrations or testing will not be returned.

Estimated Quantities for Annual Contracts.

Designation as an "annual" contract is found in the contract's title on the Cover Page of this document. The quantities stated are estimates only and are in no way binding upon City. Estimated quantities are used for the purpose of evaluation. City may increase or decrease quantities as needed. Where a contract is awarded on a unit price basis, payment shall be based on the actual quantities supplied.

Bidders shall thoroughly examine the drawings, specifications, schedule(s), instructions and all other contract documents.

Bidders shall make all investigations necessary to thoroughly inform themselves regarding plant and facilities for delivery of material and equipment, or conditions and sites/locations for providing goods and services as required by this IFB. No plea of ignorance by Bidder will be accepted as a basis for varying the requirements of City or the compensation to Bidder.

Confidential or Proprietary Information. All bids become the property of the City upon receipt and will not be returned. Any information deemed to be confidential by Bidder should be clearly noted; however, City cannot guarantee that it will not be compelled to disclose all or part of any public record under the Texas Public Information Act, since information deemed to be confidential by Bidder may not be considered confidential under Texas law, or pursuant to a Court order. Note that pursuant to state law, bids are opened publicly and read aloud. In addition, bids are tabulated and posted to the City's website, so shall not be considered proprietary or confidential.

Interlocal Participation.

City may engage in cooperative purchasing with other governmental entities or governmental cooperatives ("Entity" or "Entities") to enhance City's purchasing power. At City's sole discretion and option, City may inform other Entities that they may acquire items listed in this IFB. If this contract will be subject to cooperative purchasing, such fact will be indicated in the Supplemental Terms and Conditions portion of this IFB. Such acquisition(s) shall be at the prices stated in the bid, and shall be subject to Bidder's acceptance. Entities desiring to acquire items listed in this IFB shall be listed on a rider attached hereto, if known at the time of issuance of the IFB. City may issue subsequent riders after contract award setting forth additional Entities desiring to utilize this bid.

Bidder must sign and submit the rider, if attached to this IFB, with its bid, indicating whether Bidder wishes to allow other Entities to use its bid. Bidder shall sign and return any subsequently issued riders within ten calendar days of receipt. Bidder's decision on whether to allow other Entities to use the bid shall not be a factor in awarding this IFB.

Costs of Bidding. Bidder shall bear any and all costs that are associated with the preparation of the Bid, attendance at the Pre-Submittal Conference, if any, or during any phase of the selection process.

Rejection of Bids.

City may reject any and all bids, in whole or in part, cancel the IFB and reissue the solicitation. City may reject a bid if:

Bidder misstates or conceals any material fact in the bid; or

The bid does not strictly conform to law or the requirements of the solicitation;

The bid is conditional; or

Any other reason that would lead City to believe that the bid is non-responsive or Bidder is not responsible.

City, in its sole discretion, may also waive any minor informalities or irregularities in any bid, such as failure to submit sufficient bid copies, failure to submit literature or similar attachments, or business affiliation information.

Variances and Exceptions to Bid Terms. In order to comply with State law, bidders must submit bids on the same material terms and conditions. Bids that contain material variances or exceptions to the terms and conditions, including additional terms and conditions, will be rejected.

Changes to Bid Form. Bids must be submitted on the forms furnished. Bids that change the format or content of City's IFB will be rejected.

Withdrawal of Bids. Bids may be withdrawn prior to the time set for the bid opening. Written notice of withdrawal shall be provided to the City Clerk for bids submitted in hard copy. Bids submitted electronically may be withdrawn electronically.

Bid Opening. Bids will be opened publicly and read aloud at 2:30 central time on the day the bids are due. Bid openings are held at Purchasing & General Services, Riverview Tower, 11th Floor, 111 Soledad, Suite 1100, San Antonio, Texas 78205.

Evaluation and Award of Contract.

Per Section §252.043 of the Texas Local Government Code, the contract will be awarded to the lowest responsible bidder. The Purchasing Division evaluates bids for responsiveness and the responsibility of the bidder, and makes a recommendation to the City Council. The City Council makes the final determination regarding award.

City reserves the right to make an award on the basis of low line item, low total line items, or in any other combination that serves the best interest of City, unless City designates this solicitation as an "all or none" bid in the Supplemental Terms & Conditions.

A written award of acceptance (manifested by a City Ordinance) and Purchase Order furnished to Bidder results in a binding contract without further action by either party. Vendor must have the Purchase Order before making any delivery.

City reserves the right to utilize historical usage data as a basis for evaluation of bids when future usages are unable to be determined.

Breaking of tie bids shall be in accordance with the Texas Local Government Code §271.901.

City reserves the right to delete items prior to the awarding of the contract, and purchase said items by other means.

Inspection of Facilities/Equipment.

Depending on the nature of the IFB, Bidders' facilities and equipment may be a determining factor in making the bid award. All bidders may be subject to inspection of their facilities and equipment.

Prospective bidders must prove beyond any doubt to City Purchasing Administrator that they are qualified and capable of performing the contract's requirements.

Prompt Payment Discount.

Provided Bidder meets the requirements stated herein, City shall take Bidder's offered prompt payment discount into consideration. The evaluation will not be based on the discount percentage alone, but rather the net price as determined by applying the discount to the bid price, either per line item or total bid amount. However, City reserves the right to reject a discount if the percentage is too low to be of value to City, all things considered. City may also reject a discount if the percentage is so high as to create an overly large disparity between the price City would pay if it is able to take advantage of the discount and the price City would pay if it were unable to pay within the discount period. City may always reject the discount and pay within the 30 day period, at City's sole option.

City will not consider discounts that provide fewer than 10 days to pay in order to receive the discount.

For example, payment terms of 2% 5, Net 30 will NOT be considered in bid evaluations or in the payment of invoices. However, payment terms of 2% 10, Net 30 will result in a two percent reduction in the bid price during bid evaluation, and City will take the 2% discount if the invoice is paid within the 10 day time period.

Tabulations. The Purchasing Division will post preliminary tabulations within 7 days of the advertised bid opening. The information on these tabulations will be posted for informational purposes only, and will be posted as read during the bid opening. This tabulation is not a notice of award of the contract. All bids are subject to review for completeness, accuracy and compliance with the terms set forth in the bid documents.

Bid Protest Procedures.

Any bidder who is adversely affected in connection with the solicitation, evaluation, or proposed award of a contract may file a protest with the Director and appeal any adverse decision to the City Manager of the City of San Antonio.

Bidder must deliver a written notice of protest to the Director within 7 calendar days of the posting of the intent to award. If Bidder does not file a written notice within this time, Bidder will have waived all rights to formally protest the intent to award. It is Bidder's responsibility to check the City's website posting.

Debriefing. Debriefing of contract award is available upon request and after award of the Contract.

Prohibited Financial Interest. The Charter of the City of San Antonio and its Ethics Code prohibit a City officer or employee, as those terms are defined in the Ethics Code, from having a financial interest in any contract with City or any

City agency such as City-owned utilities. An officer or employee has a "prohibited financial interest" in a contract with City or in the sale to City of land materials, supplies or service, if any of the following individual(s) or entities is a party to the contract or sale: the City officer or employee; his parent, child or spouse; a business entity in which he or his parent, child or spouse owns ten (10) percent or more of the voting stock or shares of the business entity, or ten (10) percent or more of the fair market value of the business entity; or a business entity in which any individual or entity above listed is a subcontractor on a City contract, a partner or a parent or subsidiary business entity.

Conflict of Interest. Effective January 1, 2006, Chapter 176 of the Texas Local Government Code requires that persons, or their agents, who seek to contract for the sale or purchase of property, goods, or services with the City, shall file a completed conflict of interest questionnaire with the City Clerk not later than the 7th business day after the date that the person: (1) begins contract discussions or negotiations with the City; or (2) submits to the City an application, response to a request for proposals or bids, correspondence, or another writing related to a potential agreement with the City. The conflict of interest questionnaire form is available from the Texas Ethics Commission at www.ethics.state.tx.us. Completed conflict of interest questionnaires may be mailed or delivered by hand to the Office of the City Clerk. If mailing a completed conflict of interest questionnaire, mail to: Office of the City Clerk, P.O. Box 839966, San Antonio, TX 78283-3966. If delivering a completed conflict of interest questionnaire, deliver to: Office of the City Clerk, City Hall, 2nd floor, 100 Military Plaza, San Antonio, TX 78205." Bidder should consult its own legal advisor with questions regarding the statute or form. Do not include this form with your sealed bid. The Purchasing Division will not deliver the form to the City Clerk for you.

State of Texas Conflict of Interest Questionnaire (Form CIQ). Chapter 176 of the Texas Local Government Code requires that persons, or their agents, who seek to contract for the sale or purchase of property, goods, or services with the City, shall file a completed Form CIQ with the City Clerk if those persons meet the requirements under 176.006(a) of the statute.

By law this questionnaire must be filed with the City Clerk not later than the 7th business day after the date the vendor becomes aware of facts that require the statement to be filed. See Section 176.006(a-1), Texas Local Government Code.

Form CIQ is available from the Texas Ethics Commission by accessing the following web address:

https://www.ethics.state.tx.us/filinginfo/conflict_forms.htm

In addition, please complete the **City's Addendum to Form CIQ (Form CIQ-A)** and submit it with Form CIQ to the Office of the City Clerk. The Form CIQ-A can be found at:

<http://www.sanantonio.gov/atty/ethics/pdf/OCC-CIQ-Addendum.pdf>

When completed, the CIQ Form and the CIQ-A Form should be submitted together, either by mail or hand delivery, to the Office of the City Clerk. If mailing, mail to:

Office of the City Clerk, P.O. Box 839966, San Antonio, TX 78283-3966.

If delivering by hand, deliver to:

Office of the City Clerk, City Hall, 2nd floor, 100 Military Plaza, San Antonio, TX 78205.

Do not include these forms with your sealed bid. The Purchasing Division will not deliver the forms to the City Clerk for you.

004 - SPECIFICATIONS / SCOPE OF SERVICES

- 4.1 SCOPE: The City of San Antonio is soliciting bids to provide 15 heavy equipment units in accordance with the Building and Equipment Specifications listed herein. This equipment will be utilized by the Transportation & Capital Improvements, Parks & Recreation, and Solid Waste Management Departments.
- 4.2 GENERAL CONDITIONS: The following general conditions will apply to all items within this bid unless specifically excluded within any item.
- 4.2.1 Equipment shall be manufacturer's latest design, standard production model and shall have been manufactured within the last 12 months from the date of delivery to City. All components shall be installed new, unused, and shall be manufacturer's standard equipment unless otherwise specified or replaced herein. Equipment is to be inspected, serviced, and adjusted in accordance with manufacturer's recommended pre-delivery checklist, and ready for operation upon delivery. Manufacturer's Statement of Origin (MSO) showing manufacture within the last 12 calendar months, and completed pre-delivery checklists will be required at delivery. Equipment offered under the below listed specifications will be considered unacceptable if, for any reason, the equipment's, or major component's, long term availability on the U.S. market, or in the local area, is in doubt
- 4.2.2 Equipment must include the maximum standard manufacturer's warranty on all components, with parts and service included. All components, parts and service shall include, as a minimum, a one year unlimited mileage/hours warranty. All warranty times shall start the date the vehicle is placed in service as determined by the City, not on the delivery date. The dealer will be notified by letter of the in-service date of each vehicle by serial number. Bidder shall fully explain the warranty by attaching separate, authenticated correspondence or entering such information in the remarks section of this bid. Warranty, reliability, and replacement captive parts costs and availability shall be a consideration in award of this bid. Warranty parts and service must be available within 50 mile radius of San Antonio City Hall from and by a factory-authorized dealer (NO EXCEPTIONS). In the event that a unit purchased from a vendor requires transportation outside of Bexar County for a repair covered under warranty, that vendor shall be responsible for paying for all cost associated with the transportation to and from the warranty repair facility. If the vendor chooses to travel to inspect the unit to determine if the repair needed is covered under warranty, all expenses shall be paid for by the vendor. All warranty repairs must be completed within three (3) business days from the date equipment is delivered to the vendor unless otherwise approved by the appropriate City of San Antonio BESD Fleet Operations Manager or designate. Bidders must certify that all repairs needed after the warranty period will be available within 50 mile radius of San Antonio City Hall.
- 4.2.3 Delivery - All deliveries are to be made inside the City limits of San Antonio. Vendor must deliver equipment to the following address:

Vendor must deliver equipment to:

City of San Antonio,
Northeast Service Center,
10303 Tool Yard, Bldg #2,
San Antonio, TX 78233
Attn: Acquisitions

Delivery to a non-specified location will result in non-acceptance of the equipment by the City. All deliveries must be pre-arranged with a minimum 24-hour notification, NO EXCEPTIONS. Vehicles will be accepted 8:00 A.M. to 3:00 P.M. central time. Vehicles with more than 500 miles accumulated on the odometer will not be accepted. All vehicles are required to have a full tank(s) when delivered to City specified location.

- 4.2.4 Equipment Manuals – Successful bidder shall furnish one set of operator manuals covering all major components of the vehicle for each unit delivered. Successful bidder shall also provide two (2) complete sets of repair and parts manuals or CDs for each item bid, to include all major components, or prepaid 8-year subscription to manufacturer's maintenance/parts web site at no cost to the City. If, applicable, successful bidder shall provide a minimum (2) diagnostic software licenses and or software updates if diagnostic software is already currently being used by the City for a minimum (5) years after date of delivery. Online real time access is also accepted.
- 4.2.5 Training – The City may require operational and maintenance training for equipment. If so, training shall be provided by a qualified instructor and conducted at a designated City facility. The City will not pay any cost

incurred by the successful bidder in providing training. Training shall be provided no later than 30 days after the City takes delivery and accepts the new equipment at the specified City facility. Unless otherwise specified, training shall consist of a minimum (1) eight hour day. Payment for new equipment will not be made to successful bidder until training is completed. Operator training shall be coordinated with Fleet Operations staff. For equipment requiring more complex operation the City may require job site operational training that could last multiple days to assure proper machine operation.

- 4.2.6 Demonstrations – The City may request, from selected vendors, a demonstration of proposed equipment. The City is under no obligation to demo all products proposed by vendors. If a demonstration is required, the City's Fleet Operations Manager will contact the vendor to schedule the product demonstration. This request will be considered an integral part of the bid process. Failure to comply may result in the bid being deemed non-responsive, and therefore, not considered for award. Upon request, the vendor shall have a minimum of five (5) working days to provide and deliver the equipment to a location specified by City for the demonstration. The vendor shall make the equipment available for a minimum of five (5) working days at City's location, but not to exceed ten (10) working days.
- 4.2.7 Evaluation – In the event that a demonstration is required, the equipment will be evaluated to determine if the unit meets the minimum bid specifications at the City's discretion.
- 4.2.8 All prices will be quoted F.O.B., designated City of San Antonio facility. All bids will be submitted in triplicate and will include complete manufacturer's specifications for each model being bid.
- 4.2.9 Any equipment furnished must meet all Federal and State safety requirements and must be certified as minimum Tier IV Interim emissions compliant. Tier IV shall be offered. The engine offered by bidder must meet the Environmental Protection Agency (EPA) emission standards in effect at the time the bid is submitted. Bidder shall submit a copy of the applicable EPA certificate with its bid.
- 4.2.10 Units shall be equipped with OEM, or equal, warning and shut down systems for low oil pressure and or high coolant temperature at a minimum. This requirement **applies to all bid line items**.
- 4.2.11 Unless otherwise specified all equipment is to be standard OEM colors.
- 4.2.12 **VEHICLE INSPECTION:** The vendor shall have each vehicle properly inspected in compliance with Texas motor vehicle laws. Texas Inspection Certificate shall accompany the vehicle when delivered to the receiving entity of the City of San Antonio.
- 4.2.13 **BRAND NAMES:** Manufacturer names, trade names, brand names, and product numbers used herein are for the purpose of describing and establishing tested, compatible, approved and acceptable products that are of the type and quality required by the City. The use of pre-approved brand names are not intended to limit competition; therefore the phrase "or equal" is added. For purposes of this contract, the proposed "or equal" products shall require close adherence to the established standards of performance and quality inherently derived and reasonably expected from the brand named products specified herein. The City shall be the sole judge of equality and suitability.

- | | | | |
|-----|-------------|-----------------|--|
| 4.3 | ITEM | QUANTITY | DESCRIPTION |
| | 1 | 3 | Wheeled Articulated Loader w/ Minimum 4 Cubic Yard Bucket |
- 4.3.1 **ENGINE:** Diesel, minimum SAE 191 net HP. Water cooled and protected to -20° F, dry type two-stage air cleaner with service indicator, full flow oil filter and two-stage fuel filter with water separator. Shall include engine pre-cleaner with extension. Programmable hydraulic-driven engine cooling fan with reverse rotation. Engine protection system for low oil pressure, high engine or hydraulic temperature.
 - 4.3.2 **TRANSMISSION:** Automatic torque converter & minimum four speed forward transmission – Hydrostatic Drive acceptable. Unit to be capable of minimum 15 mph forward and minimum 12 mph in reverse.
 - 4.3.3 **AXLES, DIFFERENTIALS, & FINAL DRIVES:** Heavy duty semi floating axles, except for units with outboard planetary systems. Torque proportioning differential, positive traction or selective hydraulic differential lock
 - 4.3.4 **BRAKES:** Hydraulically actuated, wet disc brakes actuate on all four wheels.

- 4.3.5 STEERING: Center pivot articulated design with power steering and double acting steering cylinders.
- 4.3.6 TIRES: 23.5 R 25 -16PR, 12 ply. Rims shall be equipped with valve stem protectors. Unit shall have rear full fenders and power train guard.
- 4.3.7 WEIGHT: Minimum 38,000 lbs.
- 4.3.8 LIGHTING: Minimum of four (4) headlight/working lights and two (2) rear working/flood lights, tail and stop lights, turn signal with 4-way flash.
- 4.3.9 ATTACHMENTS: General purpose bucket minimum SAE rated capacity 4.00 cubic yard heaped. Minimum dump clearance at 45 degree angle will be 110" inches. Bucket will be equipped with a heavy duty bolt-on type cutting edge. One (1) 72" fork attachment to be included.
- 4.3.10 SAFETY: Back-up alarm and lamp with horn. Rear view mirror, SMV emblem attached to left rear.
- 4.3.11 CAB: ROPS/FOPS: cab with tinted safety glass windows, air conditioning, heater with defroster, AM/FM radio, windshield washer, front and rear wipers, reclining suspension seat with seat belt and sun visor. One (1) 12- volt power port. Steering wheel shall be tilt.
- 4.3.12 INSTRUMENTS: Standard instrument gauges to include; speedometer, tachometer, hour meter, engine water temperature, fuel level, hydraulic temperature. Standard instrument warning indicators and lights to include; engine oil pressure, engine oil level, air cleaner restriction, parking brake, water level, battery charge, directional indicator, engine water temperature, turn signals, high beam, fuel level, hydraulic temperature.
- 4.3.13 VANDALISM PROTECTION: Full OEM vandalism protection package to include locking engine panels, light covers/guard for brush and debris, fluid cap locking devices, battery box cover with locking device, tool box with locking device. All locks shall be keyed alike. A heavy duty padlock is acceptable. Master on/off switch.

4.4	ITEM	QUANTITY	DESCRIPTION
	2	1	Tracked Milling Machine

- 4.4.1 ENGINE: Diesel, water cooled, minimum 550 SAE net flywheel HP direct injection, dry type air cleaner with service indicator, full-flow replaceable oil filter, primary and secondary fuel filters required. Coolant protected to -20° F. Raised Turbo II type pre-cleaner or equal is required. Engine to be protected by OEM shutdown system or proven equal for low oil pressure and high engine temperature.
- 4.4.2 ELECTRICAL SYSTEM: 12 or 24 volt starting/charging system with manufacturers suggested ampere per hour recharging capability. All wiring shall be fused in a convenient centralized panel. No wiring shall be exposed or unprotected; wiring shall be in conduit or concealed.
- 4.4.3 TRACK SYSTEM: Four, hydrostatic drive track system. Manufacturer's standard rubber track pads on all track assemblies. Minimum of four (4) rollers per track.
- 4.4.4 ROTARY CUTTER ASSEMBLY: Minimum 78" inch cut width with quick change cutting teeth. Assembly to have a minimum 162 cutting teeth. Milling depth, 0 to 12 inches. Machine shall be capable of cutting next to a twelve (12) inch high curb. Averaging ski type assemblies, two (2) each, for left and right sides. Moldboard with window opening and side plates. Pressurized water-spray system to have a minimum capacity of 800 gallons water tank size large enough to accommodate an ten (10) hour work day under normal working conditions, spray bars to be located on top, front and rear for full drum coverage, minimum of 10 nozzles per bar. Automatic grade and slope control with manual override and minimum two (2) grade sensor's located on each side of the machine.
- 4.4.5 TWO STAGE COVERED CONVEYOR ASSEMBLY: Front or rear discharge, adjustable discharge height up to fifteen (15) feet, swing minimum of 45 degrees left and right with remote control to allow ground personnel to adjust discharge conveyor position, conveyor speed control required. Endless cleated belt, approximately 30" inches wide, with self-cleaning rollers. Conveyor adjustment controls at each operators station, one on the left and one on the right side of the machine is acceptable in lieu of the remote control to adjust discharge conveyor position and speed. Conveyor belt must fold in half for safe transport.

- 4.4.6 **WEIGHT & DIMENSIONS:** Minimum operating weight not less than 59,200 pounds. Overall travel width not to exceed 9' feet. The operating length shall be a minimum of 45' feet.
- 4.4.7 **ADDITIONAL REQUIREMENTS:** Dual work/operator stations or controls easily accessible from either side, wash down system with coiled hose/nozzle complete with on board storage, full vandalism kit, minimum of two (2) amber strobe warning lights and a minimum of eight (8) working lights. Lighting shall include two (2) amber warning lights on the front and two (2) red warning lights on the rear. Lights are to be used for four-way flash, left and right turns and brake lights. Each pair of lights shall be mounted at the same level and as widely spaced laterally as practical. Horn and backup alarm required. Unit to be supplied with two (2) sets of asphalt teeth and two (2) sets of concrete teeth. One set of asphalt teeth to be installed at time of delivery. Shall included on-board air compressor with all tools needed for on-site tooth changing. Engine shut off safety switches, minimum of two (2), accessible from ground level
- 4.4.8 **OPERATORS STATION:** Operators canopy made of solid or metal material that shall be retractable by hydraulic or electrical power. Mechanical operation will not be accepted.

4.5	ITEM	QUANTITY	DESCRIPTION
	3	3	Wheeled Motor Graders

- 4.5.1 **ENGINE:** Minimum of SAE 160 net HP, 4-cycle turbo aspiration, 6- cylinder diesel engine.
- 4.5.2 **TRANSMISSION:** Minimum 8 gears forward, 4 gears reverse.
- 4.5.3 **FRONT AXLE:** Wheel lean minimum 18 degrees left and right; oscillation 16 degrees up and down; ground clearance 20" minimum.
- 4.5.4 **BRAKE SYSTEM:** Foot or switch operated service brakes and parking brake.
- 4.5.5 **STEERING:** Minimum Hydrostatic power steering. Minimum turning radius using front axle is 25' minimum, steering arc 72°, minimum articulation angle 20° degrees left and right with articulation lock.
- 4.5.6 **TIRES:** Minimum tire size to be 14.00 x 24, G-2.
- 4.5.7 **WEIGHT:** Base weight shall be 30,000 lb. minimum.
- 4.5.8 **FUEL TANK:** Locking lid cap. 75 gallon capacity preferred.
- 4.5.9 **ATTACHMENTS:** Rear ripper with a minimum 3 teeth.
- 4.5.10 **CIRCLE:** Hydraulic 2 cylinder drive with two points of leverage and 360 degrees rotation.
- 4.5.11 **DRAWBAR:** Adjustable to accommodate different tire sizes.
- 4.5.12 **BLADE BASE:** Minimum 8'6".
- 4.5.13 **MOLDBOARD:** Standard moldboard with replaceable end parts, metal edge, and common bolt size 5/8" preferred. Minimum moldboard width to be 14', minimum moldboard height to be 24".
- 4.5.14 **CAB:** Fully enclosed ROPS (ISO 3471) / FOPS (ISO 3449) the cab shall be equipped with a safety control feature for engine auto idle. The cab shall be equipped with all weather cab, safety shatter-proof tinted glass (all windows), factory air, heater/defroster, windshield wipers, temperature gauges, oil indicator, fire extinguisher, operating lights, vandalism protection covers, air cooling fan, and other manufacture's standard equipment.
- 4.5.15 **SAFETY:** Backup alarm, grab handles/steps, pulls loops on undercarriage designed to accommodate chains with 5/8 hooks.

4.6	ITEM	QUANTITY	DESCRIPTION
	4	3	6 Ton Double Drum Vibratory Roller

Fill points to allow ease of filling and daily fluid checks. Unit offered shall meet current EPA minimum Tier IV Interim exhaust emission standard.

- 4.7.2 TRANSMISSION: Hydrostatic drive with wheel motors mounted directly to the drive wheels, a single electric displacement control lever to control direction, speed and braking. NO CHAIN DRIVES. Ground speed to be a minimum 7.5 mph.
- 4.7.3 BRAKES: Service braking to be dynamic through the hydrostatic transmission. Parking brake to be spring applied, hydraulically released or foot applied brake. Parking brake interlock to be wired into the hydrostatic control so no propel torque is applied when the brake switch is on.
- 4.7.4 WHEELS: Rollers to have minimum seven (7) wheels, minimum three (3) on the front and minimum four (4) on the rear. The four (4) on the rear are to be drive wheels. All wheels to oscillate, individually or in pairs. Rollers to be equipped with 14/70-20 12 ply or proven equal smooth radial compactor type tires.
- 4.7.5 CONTROLS: Full hydraulic powered articulated frame steering through orbital control. The operator's compartment will have a single or dual operating station swivel seat with minimum 180 degree rotation or non-rotating sliding seat to allow driver to have more visibility.
- 4.7.6 INSTRUMENTATION: To be equipped with an instrument panel with the following gauges or warning lights; fuel level, hours of operation, engine speed, oil pressure, water temperature and volt meter. A dual or single hydraulic sight level and temperature gauge. Vandal cover for the instrument panel and all accessible fluid tanks.
- 4.7.7 SPRINKLER SYSTEM: To be equipped with a minimum 100 gallon water tank with spray nozzles and mats for each individual tire. Tank will be equipped with a 70 mesh filler screen and 100 mesh in line filter. The water system to turn on automatically when the roller is placed in motion and turn off when stopped.
- 4.7.8 BALLAST COMPARTMENTS: Unit to have minimum of two (2) ballast compartments or a removable steel weight system. Weights or ballast compartment must be sufficient to provide a minimum of 24,000 lb. roller operating weight.
- 4.7.9 ACCESSORIES: Unit to be equipped with ROPS and FOPS with a sun shade. Seat belt, back up alarm, LED where available strobe light, tail lights (2), work lights (2 front, 2 rear), directional lights (2 front, 2 rear).
- 4.7.10 SAFETY: Designed to accommodate chains for safe loading and hauling.

4.8	ITEM	QUANTITY	DESCRIPTION
	6	2	Loader Backhoe with 12" Bucket and Telescopic Boom
4.8.1	ENGINE: Minimum SAE 85 net HP, maximum torque (lbs - foot) rated at manufacturers suggested RPM. Heavy-duty turbo, direct injection diesel with fuel tank capacity at minimum 31 gallons, full flow spin-on oil filter, dry-type replaceable air filter. Twelve (12) volt starting system at manufacturer's suggested ampere per hour recharging capability.		
4.8.2	DRIVE TRAIN: Minimum of four (4) forward and two (2) reverse gears with speeds ranging from 3.0 mph to 25 mph. Steering will be power hydrostatic or equal. Four-wheel drive (4WD) and ride control required.		
4.8.3	HYRDAULIC SYSTEM: Variable flow pump with pump output minimum 29 gallons per minute (gpm). Minimum micron rating for hydraulic filters rated at seven (7) microns or greater.		
4.8.4	TIRES: Front tires will be 12 x 16.5, 8 ply. Rear tires to be minimum 19.5 x 24, 8 ply.		
4.8.5	INSTRUMENT PANEL: Gauges and warning lights to measure engine water temperature, tachometer/hour meter, fuel level gauge, converter oil temperature, voltmeter, air cleaner restriction, alternator, A/C low/high pressure, cold start, engine oil pressure, hydraulic oil filter bypass, parking brake, and low fuel. Audible alarms for coolant temperature, engine oil pressure, parking brake engagement, shuttle engagement, and backup alarm.		
4.8.6	BACKHOE: Twelve (12) inch bucket with heaped capacity at 2.8 cu ft. or greater. Maximum SAE dig depth at 14' or greater with reach from center pivot at 18' or greater. Maximum operating height at 18' or greater with stabilizers operating at 9' or greater. Unit to be equipped with a telescoping boom.		

4.8.7 **LOADER:** Bucket breakout force 8,900 lbs ft or greater with heaped capacity at 1.25 cu yds or greater. Lift capacity to full height at 6,150 lbs or greater, dump height at 8' 4" or greater, and maximum operating height at 11' or greater. Minimum 700 lbs of counter weight to be equipped at front

4.8.8 **OPERATORS AREA:** Cab meets SAE ROPS/FOPS requirements, dual entry, serrated steps, and easy-to-reach handrails. Unit shall have pilot/excavator controls panel selectable from operator station. Seat is made from heavy-duty cloth and heavy-duty suspension with armrests and 2 inch retractable seat belt. Steering column is tiltable. Cab also contains sun visor, hand and foot throttle, padded floor mat, interior rearview mirror, and dome light. Four (4) front and rear work lights, horn, warning buzzer, hazard flashers, and turn signals. One (1) 12-volt mobile power socket, cup holders, coat hook, and storage trays. Heater/defroster system, cab pressurization, front/rear windshield wiper/washer, and four (4) tinted side windows that open fully or partially. Air conditioned. Slow moving vehicle emblem attached to left rear.

4.9	ITEM	QUANTITY	DESCRIPTION
	7	1	Loader Backhoe with 24" Bucket and 1K Hydraulic Breaker

4.9.1 **ENGINE:** Minimum SAE 85 net HP, maximum torque (lbs - foot) rated at manufacturers suggested RPM. Heavy-duty turbo, direct injection diesel with fuel tank capacity at minimum 31 gallons, full flow spin-on oil filter, dry-type replaceable air filter. Twelve (12) volt starting system at manufacturer's suggested ampere per hour recharging capability.

4.9.2 **DRIVE TRAIN:** Minimum of four (4) forward and two (2) reverse gears with speeds ranging from 3.0 mph to 25 mph. Steering will be power hydrostatic or equal. Four-wheel drive (4WD) and ride control required.

4.9.3 **HYRDAULIC SYSTEM:** Variable flow pump with pump output minimum 37 gallons per minute (gpm). Minimum micron rating for hydraulic filters rated at seven (7) microns or greater.

4.9.4 **TIRES:** Front tires will be 12 x 16.5, 8 ply. Rear tires to be minimum 19.5 x 24, 8 ply.

4.9.5 **INSTRUMENT PANEL:** Gauges and warning lights to measure engine water temperature, tachometer/hour meter, fuel level gauge, converter oil temperature, voltmeter, air cleaner restriction, alternator, A/C low/high pressure, cold start, engine oil pressure, hydraulic oil filter bypass, parking brake, and low fuel. Audible alarms for coolant temperature, engine oil pressure, parking brake engagement, shuttle engagement and backup alarm.

4.9.6 **BACKHOE:** 24" Bucket with quick change disconnect hoses for 1,000 lbs hydraulic breaker. Dig depth should be a minimum of 18'.5". Minimum 700 lbs of counter weight to be equipped at front of unit.

4.9.7 **LOADER:** Bucket with heaped capacity at .75 cubic yard or greater.

4.9.8 **OPERATOR'S AREA:** Enclosed pressurized cab with air conditioning and heater/defroster system. Unit shall have pilot/excavator controls panel selectable from operator station. Cab meets SAE ROPS/FOPS requirements, dual entry. Seat is heavy-duty suspension with armrests and 2 inch retractable seat belt. Steering column is tilt able. Cab also contains sun visor, hand and foot throttle, interior rearview mirror, and dome light. Four (4) front and rear work lights, horn, warning buzzer, hazard flashers, and turn signals. One (1) 12-volt mobile power socket. Front/rear windshield wiper/washer, and four (4) OEM tinted side windows that open fully or partially. Slow moving vehicle emblem attached to left rear.

4.10	ITEM	QUANTITY	DESCRIPTION
	8	1	Dozer Crawler

4.10.1 **ENGINE:** EPA compliant diesel, 4 cycle, minimum 4 cylinder, minimum 104 SAE net flywheel horsepower. Full flow, two stage fuel filtering with water separator, double element dry type air cleaner with turbo type pre-cleaner and service indicator

4.10.2 **TRANSMISSION:** Hydrostatic or Countershaft or planetary type transmission, single stage and torque converter driven. Minimum of three (3) speeds forward and three (3) reverse or infinitely variable. Must have replaceable full flow filters and a suction line screen.

- 4.10.3 STEERING: Foot or hand operated (combination of hand or foot acceptable) with multiple disc or contracting band type brake system controlling each track separately.
- 4.10.4 FINAL DRIVE: Double reduction with pinion/ bull gear arrangement or planetary. A sprocket inner bearing seal trash guard will be provided on each side. High drive acceptable.
- 4.10.5 UNDERCARRIAGE: Box section track frame construction with a minimum six (6) lower rollers and one (1) idler (carrier) rollers on each side, tracks and rollers all sealed and permanently lubricated. Sprocket and idler will be protected by (inner and outer) rock guards. Track frame covers and sprocket guards will be provided. Hydraulic track adjusters. Full length, heavy duty, bottom/drive train protection with pull/tow hook. Track guides required front and rear. Track shoes minimum 26 inches wide and full heavy duty grousers. Track gauge, minimum 70 inches. Maximum ground pressure 5.0 PSI. Track rails to be abrasion resistant, sealed and lubricated (SALT).
- 4.10.6 POWER TILT / ANGLE BLADE: Straight blade, width 120 to 135 inches, height minimum 42 inches 3.1 cu yard with an additional brush guard on top. Hydraulically actuated and equipped with hydraulic tilt and angle controls.
- 4.10.7 DRAWBAR: Ridged, heaviest duty available, with pin.
- 4.10.8 COOLING SYSTEM: Heavy duty grill and brush screen, anti-sand blast or armored core radiator. Reversible fan. System to be protected to -20° F.
- 4.10.9 OPERATING WEIGHT: Minimum basic operating weight 25,000 lbs.
- 4.10.10 CAB: All weather pressurized OSHA Standard ROPS/FOPS cab with air conditioning and filters (roof mounted air conditioning is not acceptable). Adjustable high back, fabric suspension seat, windows and windshield to be tinted safety glass, neutral start mechanism, seat belts. Two (2) front and two (2) rear floodlights, front and rear LED strobe lights mounted in protected areas, AM /FM radio, dash lighting, parking brake, hot water heater with defroster.
- 4.10.11 ELECTRICAL & INSTRUMENTATION: 24-volts, minimum 100 amp alternator, engine oil temperature and pressure gauge, hydraulic oil temperature gauge, hour meter, tachometer, ammeter, torque converter temperature and pressure gauge.
- 4.10.12 ACCESSORIES: Full vandalism protection to include keyed alike locks for doors, engine side panels, filler caps and covers. Three sets of keys will be provided with unit.

005 - SUPPLEMENTAL TERMS & CONDITIONS

Original Contract Term.

This contract shall begin upon the effective date of the ordinance awarding the contract, or date specified in the award letter if this contract does not exceed \$50,000. This contract shall terminate upon completion of all work described herein or delivery of all goods ordered, as applicable.

Liquidated Damages for Delay:

The parties agree that the actual damages that might be sustained by the City by reason of the breach by Vendor of its covenant to make delivery within the time specified herein, is uncertain and would be difficult of ascertainment, and that the sum of \$100.00 per day per unit for each day that delivery is late would be a reasonable compensation for such breach. Vendor hereby promises to pay, and City hereby agrees to accept, such sum as liquidated damages, and not as a penalty, in the event of such breach. Furthermore, the parties agree that City may withhold said liquidated damages from any payments due to Vendor hereunder. If Vendor's delay exceeds 30 days, City may, at its option, elect to terminate this contract in whole or in part. In such event, City may pursue actual damages, rather than applying this liquidated damages provision.

Change Orders.

Notwithstanding anything stated to the contrary in Section 006 – General Terms & Conditions, in order to comply with Texas law governing purchases made by municipalities, the following rules shall govern all change orders made under this contract.

Any change orders that become necessary during the term of this contract as a result of changes in plans, specifications, quantity of work to be performed, materials, equipment or supplies to be furnished must be in writing and conform to the requirements of City Ordinance 2011-12-08-1014, as hereafter amended.

Any other change will require approval of the City Council, City of San Antonio.

Changes that do not involve an increase in contract price may be made by the Director.

No oral statement of any person shall modify or otherwise change, or affect the terms, conditions or specifications stated herein.

Insurance.

Prior to the commencement of any work under this Agreement, Vendor shall furnish copies of all required endorsements and completed Certificate(s) of Insurance to the City's Finance Department-Purchasing Division, which shall be clearly labeled "Purchase of Heavy Equipment" in the Description of Operations block of the Certificate. The Certificate(s) shall be completed by an agent and signed by a person authorized by that insurer to bind coverage on its behalf. City will not accept a Memorandum of Insurance or Binder as proof of insurance. The certificate(s) must have the agent's signature and phone number, and be mailed, with copies of all applicable endorsements, directly from the insurer's authorized representative to City. City shall have no duty to pay or perform under this Agreement until such certificate and endorsements have been received and approved by City's Finance Department-Purchasing Division. No officer or employee, other than City's Risk Manager, shall have authority to waive this requirement.

City reserves the right to review the insurance requirements of this Article during the effective period of this Agreement and any extension or renewal hereof and to modify insurance coverages and their limits when deemed necessary and prudent by City's Risk Manager based upon changes in statutory law, court decisions, or circumstances surrounding this Agreement. In no instance will City allow modification whereby City may incur increased risk.

A Vendor's financial integrity is of interest to City; therefore, subject to Vendor's right to maintain reasonable deductibles in such amounts as are approved by City, Vendor shall obtain and maintain in full force and effect for the duration of this Agreement, and any extension here of, at Vendor's sole expense, insurance coverage written on an occurrence basis, unless otherwise indicated, by companies authorized to do business in the State of Texas and with an A.M Best's rating of no less than A- (VII), in the following types and for an amount not less than the amount listed below:

TYPE	AMOUNTS
1. Workers' Compensation 2. Employers' Liability	Statutory \$500,000/\$500,000/\$500,000
3. Broad form Commercial General Liability Insurance to include coverage for the following: a. Premises operations b. Independent Contractors c. Products/completed operations d. Personal Injury e. Contractual Liability f. Damage to property rented by you	For Bodily Injury and Property Damage of \$1,000,000 per occurrence; \$2,000,000 General Aggregate, or its equivalent in Umbrella or Excess Liability Coverage \$100,000
4. Business Automobile Liability a. Owned/leased vehicles b. Non-owned vehicles c. Hired Vehicles	Combined Single Limit for Bodily Injury and Property Damage of \$1,000,000 per occurrence

Vendor agrees to require, by written contract, that all subcontractors providing goods or services hereunder obtain the same insurance coverages required of Vendor herein, and provide a certificate of insurance and endorsement that names Vendor and City as additional insureds. Vendor shall provide City with said certificate and endorsement prior to the commencement of any work by the subcontractor. This provision may be modified by City's Risk Manager, without subsequent City Council approval, when deemed necessary and prudent, based upon changes in statutory law, court decisions, or circumstances surrounding this agreement. Such modification may be enacted by letter signed by City's Risk Manager, which shall become a part of the contract for all purposes.

As they apply to the limits required by City, City shall be entitled, upon request and without expense, to receive copies of the policies, declaration page, and all endorsements thereto and may require the deletion, revision, or modification of particular policy terms, conditions, limitations, or exclusions (except where policy provisions are established by law or regulation binding upon either of the parties hereto or the underwriter of any such policies). Vendor shall be required to comply with any such requests and shall submit a copy of the replacement certificate of insurance to City at the address provided below within 10 days of the requested change. Vendor shall pay any costs incurred resulting from said changes.

City of San Antonio
Attn: Finance Department-Purchasing Division
P.O. Box 839966
San Antonio, Texas 78283-3966

Vendor agrees that with respect to the above required insurance, all insurance policies are to contain or be endorsed to contain the following provisions:

Name City, its officers, officials, employees, volunteers, and elected representatives as additional insureds by endorsement, as respects operations and activities of, or on behalf of, the named insured performed under contract with City, with the exception of the workers' compensation and professional liability policies;

Provide for an endorsement that the "other insurance" clause shall not apply to the City of San Antonio where City is an additional insured shown on the policy;

Workers' compensation, employers' liability, general liability and automobile liability policies will provide a waiver of subrogation in favor of City; and

Provide advance written notice directly to City of any suspension, cancellation, non-renewal or material change in coverage, and not less than ten (10) calendar days advance notice for nonpayment of premium.

Within five (5) calendar days of a suspension, cancellation or non-renewal of coverage, Vendor shall provide a replacement Certificate of Insurance and applicable endorsements to City. City shall have the option to suspend Vendor's performance should there be a lapse in coverage at any time during this contract. Failure to provide and to maintain the required insurance shall constitute a material breach of this Agreement.

In addition to any other remedies City may have upon Vendor's failure to provide and maintain any insurance or policy endorsements to the extent and within the time herein required, City shall have the right to order Vendor to stop work hereunder, and/ or withhold any payment(s) which become due to Vendor hereunder until Vendor demonstrates compliance with the requirements hereof.

Nothing herein contained shall be construed as limiting in any way the extent to which Vendor may be held responsible for payment of damages to persons or property resulting from Vendor's or its subcontractors' performance of the work covered under this Agreement.

It is agreed that Vendor's insurance shall be deemed primary and non-contributory with respect to any insurance or self insurance carried by City for liability arising out of operations under this Agreement.

It is understood and agreed that the insurance required is in addition to and separate from any other obligation contained in this Agreement and that no claim or action by or on behalf of City shall be limited to insurance coverage provided.

Vendor and any subcontractors are responsible for all damage to their own equipment and/or property.

Incorporation of Attachments.

Each of the attachments listed below is an essential part of this contract, which governs the rights and duties of the parties, incorporated herein by reference, and shall be interpreted in the order of priority as appears below, with this document taking priority over all attachments:

Attachment A – Price Schedule

Attachment B – City of San Antonio Local Preference Program Forms

Attachment C – Veteran-Owned Small Business Preference Program Tracking Form

006 - GENERAL TERMS & CONDITIONS

Electronic Bid Equals Original. If Vendor is submitting an electronic bid, City and Vendor each agree that this transaction may be conducted by electronic means, as authorized by Chapter 322, Texas Business & Commerce Code, known as the Electronic Transactions Act.

Delivery of Goods/Services.

Destination Contract. Vendor shall deliver all goods and materials F.O.B., City of San Antonio's designated facility, inside delivery, freight prepaid, to the address provided in this IFB or, if different, in the Purchase Order. Vendor shall bear the risk of loss until delivery. Freight charges will be paid only when expedited delivery is requested and approved in writing by the City. Vendor shall be responsible for furnishing necessary personnel or equipment and/or making necessary arrangements to off load at City of San Antonio facility, unless otherwise noted herein.

Failure to Deliver. When delivery is not met as provided for in the contract, City may make the purchase on the open market, with any cost in excess of the contract price paid by Vendor, in addition to any other direct, indirect, consequential or incidental damages incurred by City as a result thereof. In addition, Vendor may be removed from the City's list of eligible bidders.

Purchase Orders. Each time a City department wishes to place an order against this contract, it will issue Vendor a purchase order. Vendor must have the purchase order before making any delivery.

Acceptance by City. City shall have a reasonable time (but not less than 30 days) after receipt to inspect the goods and services tendered by Vendor. City at its option may reject all or any portion of such goods or services which do not, in City's sole discretion, comply in every respect with all terms and conditions of the contract. City may elect to reject the entire goods and services tendered even if only a portion thereof is nonconforming. If City elects to accept nonconforming goods and services, City, in addition to its other remedies, shall be entitled to deduct a reasonable amount from the price thereof to compensate City for the nonconformity. Any acceptance by City, even if non-conditional, shall not be deemed a waiver or settlement of any defect in such goods and services.

Testing. After award of contract, City may, at its sole option, test the product delivered to ensure it meets specifications. Initial testing shall be at City's expense. However, if the product does not to meet specifications, Vendor shall reimburse City for the costs of testing. City may withhold the cost of testing from any amounts owed to Vendor under this or any other contract, or invoice Vendor for same. If invoiced, Vendor shall pay City within 30 calendar days' of the invoice.

Warranty. A minimum of 90-days product guarantee or the manufacturer's standard commercial warranty, whichever is greater, shall apply to all products and/or services purchased under this IFB, unless otherwise specified in the Specifications/Scope of Services section of this IFB. This warranty shall provide for replacement of defective merchandise, parts, and labor, and shall include pick-up of the defective merchandise from City and delivery of the replacement(s) to the same location. The warranty shall be effective from the date of acceptance of the merchandise, or completion of the service, as applicable.

REJECTION OF DISCLAIMERS OF WARRANTIES & LIMITATIONS OF LIABILITY. ANY TERM OR CONDITION IN ANY DOCUMENT FURNISHED BY VENDOR, DISCLAIMING THE IMPLIED WARRANTY OF MERCHANTABILITY OR OF FITNESS FOR A PARTICULAR PURPOSE, OR ATTEMPTING TO LIMIT VENDOR'S LIABILITY SHALL BE OF NO FORCE OR EFFECT, AND SHALL BE STRICKEN FROM THE CONTRACT DOCUMENTS AS IF NEVER CONTAINED THEREIN.

Invoicing and Payment.

Address for Invoices. All original invoices must be sent to: City of San Antonio, Attn: Accounts Payable, P.O. Box 839976, San Antonio, Texas 78283-3976.

Information Required On Invoice.

All invoices must be in a form and content approved by the City. City may require modification of invoices if necessary in order to satisfy City that all billing is proper and pursuant to the terms of the contract. Invoices are required to show each City Purchase Order Number. Invoices must be legible. Items billed on invoices must be specific as to applicable stock, manufacturer, catalog or part number (if any). All invoices must show unit prices for each item being billed, the quantity of items being billed and the total for each item, as well as the total for all items on the invoice. If prices are based on list prices basis, then the list prices, the percentage discount or percentage surcharge, net unit prices, extensions and net total prices must be shown. Prompt payment discounts offered shall be shown separately on the invoice.

Payment by City.

In accordance with the Texas Prompt Payment Act, City shall have not less than 30 days to pay for goods or services. Time for payment, including payment under discount terms, will be computed from the later of: (1) the date City receives conforming goods under the contract; (2) the date performance of the service under the contract is completed; or (3) the date City receives a correct and valid invoice for the goods or services. Payment is deemed to be made on the date of mailing of the check. Payment is made in US dollars only.

This provision shall not apply where there is a bona fide dispute between City and Vendor about the goods delivered or the service performed that causes the payment to be late, or where the invoice is not mailed to the address provided herein.

The payment amount due on invoices may not be manually altered by City personnel. Once disputed items are reconciled, Vendor must submit a corrected invoice or a credit memorandum for the disputed amount. City will not make partial payments on an invoice where there is a dispute.

NECESSITY OF TIMELY INVOICE / WAIVER OF PAYMENT. NOTWITHSTANDING THE FORGOING, THE CITY CANNOT PAY FOR ANY GOODS OR SERVICES WITHOUT AN INVOICE. VENDOR MUST INVOICE CITY NO LATER THAN 90 CALENDAR DAYS FROM THE DATE GOODS ARE DELIVERED OR SERVICES RENDERED. FAILURE TO SUBMIT AN INVOICE WITHIN SAID 90 DAYS SHALL NEGATE ANY LIABILITY ON THE PART OF CITY AND CONSTITUTE A **WAIVER** BY VENDOR OF ANY AND ALL RIGHT OR CLAIMS TO COLLECT MONEYS THAT VENDOR MAY RIGHTFULLY BE OTHERWISE ENTITLED TO FOR GOODS OR SERVICES PERFORMED.

The total price for all goods and/or services is shown on the Price Schedule. No additional fees or expenses of Vendor shall be charged by Vendor nor be payable by City. The parties hereby agree that all compensable expenses of Vendor are shown on the Price Schedule. If there is a discrepancy on the Price Schedule between the unit price for an item, and the extended price, the unit price shall govern.

Change Orders. In order to comply with Texas law governing purchases made by municipalities, the following rules shall govern all change orders made under this contract.

Any change orders that become necessary during the term of this contract as a result of changes in plans, specifications, quantity of work to be performed, materials, equipment or supplies to be furnished may be approved by the Director, provided that such change orders:

- are made in writing, signed by the Director;
- do not involve an increase or decrease in contract price of more than \$25,000; and
- sufficient funds have already been allocated by City or are available to the Director to cover any increase in contract price.

Any other change will require approval of the City Council, City of San Antonio.

Changes that do not involve an increase in contract price may, however, be made by the Director.

No oral statement of any person shall modify or otherwise change, or affect the terms, conditions or specifications stated herein.

Termination.

Termination-Breach. Should Vendor fail to fulfill in a timely and proper manner, as determined solely by the Director, its material obligations under this contract, or violate any of the material terms of this contract, City shall have the right to immediately terminate the contract in whole or in part. Notice of termination shall be provided in writing to Vendor, effective upon the date set forth in the notice. City may, in City's sole discretion, provide an opportunity for Vendor to cure the default. If City elects to offer an opportunity to cure, City shall provide notice to Vendor specifying the matters in default and the cure period. If Vendor fails to cure the default within the cure period, City shall have the right, without further notice, to terminate the contract in whole or in part. Such termination shall not relieve Vendor of any liability to the City for damages sustained by virtue of any breach by Vendor.

Termination-Notice. City may terminate this contract, in whole or in part, without cause. City shall be required to give Vendor notice ten days prior to the date of termination of the contract without cause.

Termination-Funding. City retains the right to terminate this contract at the expiration of each of City's budget periods. This contract is conditioned on a best efforts attempt by City to obtain and appropriate funds for payment of any debt due by City herein.

Termination by City may be effected by Director, without further action by the San Antonio City Council.

Independent Contractor. Vendor covenants and agrees that it is an independent contractor and not an officer, agent, servant or employee of City. City shall not be liable for any claims which may be asserted by any third party occurring in connection with the services to be performed by Vendor under this contract and that Vendor has no authority to bind City. The doctrine of respondeat superior shall not apply as between City and Vendor.

INDEMNIFICATION.

VENDOR covenants and agrees to FULLY INDEMNIFY, DEFEND and HOLD HARMLESS, CITY and the elected officials, employees, officers, directors, volunteers and representatives of CITY, individually and collectively, from and against any and all costs, claims, liens, damages, losses, expenses, fees, fines, penalties, proceedings, actions, demands, causes of action, liability and suits of any kind and nature, including but not limited to, personal or bodily injury, death and property damage, made upon CITY directly or indirectly arising out of, resulting from or related to VENDOR'S activities under this Agreement, including any acts or omissions of VENDOR, any agent, officer, director, representative, employee, consultant or subcontractor of VENDOR, and their respective officers, agents employees, directors and representatives while in the exercise of the rights or performance of the duties under this Agreement. The indemnity provided for in this paragraph shall not apply to any liability resulting from the negligence of CITY, its officers or employees, in instances where such negligence causes personal injury, death, or property damage. IN THE EVENT VENDOR AND CITY ARE FOUND JOINTLY LIABLE BY A COURT OF COMPETENT JURISDICTION, LIABILITY SHALL BE APPORTIONED COMPARATIVELY IN ACCORDANCE WITH THE LAWS FOR THE STATE OF TEXAS, WITHOUT, HOWEVER, WAIVING ANY GOVERNMENTAL IMMUNITY AVAILABLE TO THE CITY UNDER TEXAS LAW AND WITHOUT WAIVING ANY DEFENSES OF THE PARTIES UNDER TEXAS LAW. In addition, Vendor agrees to

indemnify, defend, and hold the City harmless from any claim involving patent infringement, trademarks, trade secrets, and copyrights on goods supplied.

The provisions of this INDEMNITY are solely for the benefit of the parties hereto and not intended to create or grant any rights, contractual or otherwise, to any other person or entity. VENDOR shall advise CITY in writing within 24 hours of any claim or demand against CITY or VENDOR known to VENDOR related to or arising out of VENDOR's activities under this AGREEMENT and shall see to the investigation and defense of such claim or demand at VENDOR's cost. CITY shall have the right, at its option and at its own expense, to participate in such defense without relieving VENDOR of any of its obligations under this paragraph.

Assignment. Except as otherwise stated herein, Vendor may not sell, assign, pledge, transfer or convey any interest in this contract, nor delegate the performance of any duties hereunder, by transfer, by subcontracting or any other means, without the consent of Director. As a condition of such consent, if such consent is granted, Vendor shall remain liable for completion of the services and provision of goods outlined in this contract in the event of default by the successor Vendor, assignee, transferee or subcontractor. Any attempt to transfer, pledge or otherwise assign this Contract without said written approval, shall be void ab initio and shall confer no rights upon any third person.

Ownership of Documents. Pursuant to Texas Local Government Code Chapter 201, any and all Records produced by Vendor pursuant to the provisions of this contract are the exclusive property of City; and no such Record shall be the subject of any copyright or proprietary claim by Vendor. The term "Record" as used herein shall mean any document, paper, letter, book, map, photograph, sound or video recording, microfilm, magnetic tape, electronic medium, or other information recording medium, regardless of physical form or characteristic. Vendor understands and acknowledges that as the exclusive owner of any and all such Records, City has the right to use all such Records as City desires, without restriction.

Records Retention.

Vendor and its subcontractors, if any, shall properly, accurately and completely maintain all documents, papers, and records, and other evidence pertaining to the services rendered hereunder ("Documents"), and shall make such Documents available to the City at their respective offices, at all reasonable times and as often as City may deem necessary during the contract period, including any extension or renewal hereof, and the record retention period established herein, for purposes of audit, inspection, examination, and making excerpts or copies of same by City and any of its authorized representatives.

Vendor shall retain any and all Documents produced as a result of services provided hereunder for a period of four years ("Retention Period") from the date of termination of the contract. If, at the end of the Retention Period, there is litigation or other questions arising from, involving or concerning these Documents or the services provided hereunder, Vendor shall retain the records until the resolution of such litigation or other such questions. Vendor acknowledges and agrees that City shall have access to any and all such Documents at any and all times, as deemed necessary by City, during said Retention Period. City may, at its election, require Vendor to return the documents to City at Vendor's expense prior to or at the conclusion of the Retention Period. In such event, Vendor may retain a copy of the documents.

Vendor shall notify City, immediately, in the event Vendor receives any requests for information from a third party, which pertain to the Documents referenced herein. Vendor understands and agrees that City will process and handle all such requests.

Severability. If any clause or provision of this contract is held invalid, illegal or unenforceable under present or future federal, state or local laws, including but not limited to the City Charter, City Code, or ordinances of the City of San Antonio, Texas, then and in that event it is the intention of the parties hereto that such invalidity, illegality or unenforceability shall not affect any other clause or provision hereof and that the remainder of this contract shall be construed as if such invalid, illegal or unenforceable clause or provision was never contained herein. It is also the intention of the parties hereto that in lieu of each clause or provision of this contract that is invalid, illegal, or unenforceable, there be added as a part of the contract a clause or provision as similar in terms to such invalid, illegal or unenforceable clause or provision as may be possible, legal, valid and enforceable.

Compliance with Law. Vendor shall provide and perform all services required under this Agreement in compliance with all applicable federal, state and local laws, rules and regulations.

Certifications. Vendor warrants and certifies that Vendor and any other person designated to provide services hereunder has the requisite training, license and/or certification to provide said services, and meets all competence standards promulgated by all other authoritative bodies, as applicable to the services provided herein.

Non-waiver of Performance. Unless otherwise specifically provided for in this Agreement, a waiver by either Party of a breach of any of the terms, conditions, covenants or guarantees of this Agreement shall not be construed or held to be a waiver of any succeeding or preceding breach of the same or any other term, condition, covenant or guarantee herein contained. Further, any failure of either Party to insist in any one or more cases upon the strict performance of any of the covenants of this Agreement, or to exercise any option herein contained, shall in no event be construed as a waiver or relinquishment for the future of such covenant or option. In fact, no waiver, change, modification or discharge by either party hereto of any provision of this Agreement shall be deemed to have been made or shall be effective unless expressed in writing and signed by the party to be charged. No act or omission by a Party shall in any manner impair or prejudice any right, power, privilege, or remedy available to that Party hereunder or by law or in equity, such rights, powers, privileges, or remedies to be always specifically preserved hereby.

Venue. Venue of any court action brought directly or indirectly by reason of this contract shall be in Bexar County, Texas. This contract is made and is to be performed in Bexar County, Texas, and is governed by the laws of the State of Texas.

Non-discrimination. As a condition of entering into this agreement, Vendor represents and warrants that it will comply with City's Commercial Nondiscrimination Policy, as described under Section IILC.1 of the SBEDA Ordinance. As part of such compliance, Vendor shall not discriminate on the basis of race, color, religion, ancestry or national origin, sex, age, marital status, sexual orientation, or on the basis of disability or other unlawful forms of discrimination in the solicitation, selection, hiring or commercial treatment of subcontractors, vendors, suppliers, or commercial customers, nor shall Vendor retaliate against any person for reporting instances of such discrimination. Vendor shall provide equal opportunity for subcontractors, vendors and suppliers to participate in all of its public sector and private sector subcontracting and supply opportunities, provided that nothing contained in this clause shall prohibit or limit otherwise lawful efforts to remedy the effects of marketplace discrimination that have occurred or are occurring in the City's Relevant Marketplace. Vendor understands and agrees that a material violation of this clause shall be considered a material breach of this agreement and may result in termination of this agreement, disqualification of Vendor from participating in City contracts, or other sanctions. This clause is not enforceable by or for the benefit of, and creates no obligation to, any third party. Vendor shall include this nondiscrimination clause in all subcontracts for the performance of this contract. **As a party to this contract, Vendor understands and agrees to comply with the *Non-Discrimination Policy* of the City of San Antonio contained in Chapter 2, Article X of the City Code and further, shall not discriminate on the basis of race, color, religion, national origin, sex, sexual orientation, gender identity, veteran status, age or disability, unless exempted by state or federal law, or as otherwise established herein.**

Delinquent Taxes. In the event that Vendor is or subsequently becomes delinquent in the payment of taxes owed to the City of San Antonio, the City reserves the right to deduct any delinquent taxes from payments that the City may owe to the delinquent Vendor as a result of this contract.

Binding Contract. This contract shall be binding on and inure to the benefit of the parties hereto and their respective heirs, executors, administrators, legal representatives, and successors and assigns, except as otherwise expressly provided for herein.

Entire Agreement. This contract, including City's final electronically posted online version, together with its authorizing ordinance and its price schedule(s), attachments, purchase orders, and exhibits, if any, constitutes the final and entire agreement between the parties hereto and contains all of the terms and conditions agreed upon. No other agreements, oral or otherwise, regarding the subject matter of this contract shall be deemed to exist or to bind the parties hereto, unless same be in writing, dated subsequent to the date hereof, and be duly executed by the parties, in accordance with the Change Order provision herein. **Parties agree that City's final electronically posted online version of this solicitation contains the agreed upon specifications, scope of services, and terms and conditions of this contract, and shall control in the event of a conflict with any printed version signed and submitted by Vendor.**

007 - SIGNATURE PAGE

By submitting a bid, whether electronically or by paper, Bidder represents that:

(s)he is authorized to bind Bidder to fully comply with the terms and conditions of City's Invitation for Bid for the prices stated therein;

(s)he has read the entire document, including the final version issued by City, and agreed to the terms therein;

Bidder is in good standing with the Texas State Comptroller's Office; and

to the best of his/her knowledge, all information is true and correct.

If submitting your bid by paper, complete the following and sign on the signature line below. Failure to sign and submit this Signature Page will result in rejection of your bid.

Bidder Information:

Please Print or Type:

Vendor ID No.: V10020670

Signer's Name: BILLY BARTA

Name of Business: NUECES POWER EQUIPMENT

Street Address: 4697 NORTH FM1516

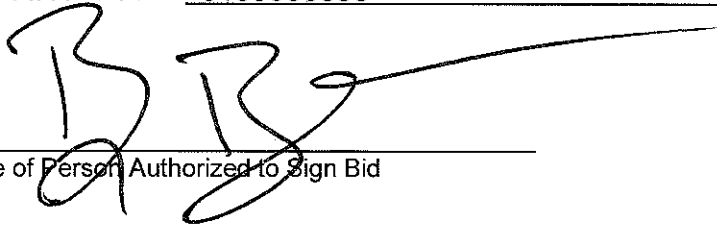
City, State, Zip Code: CONVERSE, TEXAS, 78109

Email Address: billy@npetex.com

Telephone No.: 210-310-0066

Fax No.: 210-666-2071

City's Solicitation No.: 6100006830



Signature of Person Authorized to Sign Bid

008 - STANDARD DEFINITIONS

Whenever a term defined by the Uniform Commercial Code ("UCC"), as enacted by the State of Texas, is used in the Contract, the UCC definition shall control, unless otherwise defined in the Contract.

All-or-None Bid - an invitation to bid in which the City will award the entire contract to one bidder only.

Alternate Bid - two or more bids with substantive variations in the item or service offered from the same bidder in response to a solicitation.

Assignment - a transfer of claims, rights or interests in goods, services or property.

Bid - a complete, signed response to a solicitation. The term "bid" is synonymous with the term "offer".

Bid Opening - a public meeting during which bid responses are disclosed.

Bidder - a person, firm or entity that submits a bid in response to a solicitation. The bidder whose bid is accepted by City may also be referred to herein as Contractor, Vendor or Supplier.

Bid Bond or Bid Guarantee - security to ensure that Bidder (a) will not withdraw the bid within the period specified for acceptance, and (b) will furnish any required bonds or performance guarantees, and any necessary insurance within the time specified in the solicitation.

Change Order - a change to the plans or specifications of the contract, or an increase or decrease in the quantity of work to be performed or of materials, equipment, or supplies to be furnished, issued by the Director after the bid has been accepted by the City.

City - the City of San Antonio, a Texas home-rule municipal corporation.

Contract - the binding legal agreement between the City and Vendor.

Contractor - the bidder whose bid is accepted by the City and is, therefore, the person, firm or entity providing goods or services to the City under a contract.

Director - the Director of City's Purchasing & General Services Department, or Director's designee.

Equal or Equivalent - terms to indicate that similar products or other brands may be acceptable for purchase if specifications and functional requirements are met.

Invitation for Bid (IFB) - a solicitation requesting pricing for a specified good or a service.

Line Item - a listing of items in a bid for which a bidder is expected to provide separate pricing.

Low Bid - a bid which is lowest in price, but may not meet all requirements or specifications.

Lowest Responsible Bidder - the bidder whose bid meets all requirements of the specifications, terms and conditions of the IFB and results in the lowest cost to the City in an award based solely on price, taking into consideration the bidder's competence and qualifications to perform the contract.

Non-Responsive Bid - a bid or offer that does not comply with the terms and conditions, or specifications and/or requirements of the IFB.

Offer - a complete, signed response to an IFB that, if accepted, would bind the bidder to perform the resultant contract. The term "offer" is synonymous with the term "bid".

Payment Bond - a particular form of security provided by the contractor to protect the City against loss due to the contractor's failure to pay suppliers and subcontractors.

Performance Bond - a particular form of security provided by the contractor to protect the City against loss due to the contractor's inability or unwillingness to complete the contract as agreed.

Performance Deposit - security provided by the contractor to protect the City against loss due to the contractor's inability or unwillingness to complete the contract as agreed.

Pre-Submittal Conference - a meeting conducted by the City, held in order to allow bidders to ask questions about the proposed contract and particularly, the contract specifications.

Purchase Order - a validly issued order placed by an authorized City department for the purchase of goods or services, written on the City's standard purchase order form, and which is Vendor's authority to deliver to and invoice the City for the goods or services specified in an IFB for the price stated in Vendor's bid.

Responsible Bidder - a bidder who is known to have the necessary competence and qualifications to perform and provide all requirements of an intended contract.

Responsive Bidder - a bidder who tenders a bid which meets all requirements of the invitation to bid and is a responsible bidder.

Sealed Bid - a bid submitted as a sealed document, whether hard copy or electronic, by a prescribed time to the location indicated in the IFB. The contents of the bid will not be made public prior to the bid opening.

Specifications - a description of what the City requires and what the bidder must offer; a description of the physical or functional characteristics of a product or material, or the nature of a service or construction item.

Subcontractor - a person, firm or entity providing goods or services to a vendor to be used in the performance of the Vendor's obligations under the contract with the City.

Supplier - the bidder whose bid is accepted by the City and is, therefore, the person, firm or entity providing goods or services to the City under a contract.

Vendor - the bidder whose bid is accepted by the City and is, therefore, the person, firm or entity providing goods or services to the City under a contract.

Waiver of Irregularity - noting, but disregarding an immaterial variance within a bid.

009 - ATTACHMENTS

Attachment A
11/9/2015:

PRICE SCHEDULE

Local Preference Program (LPP) Ordinance

The 82nd Texas Legislature adopted a revision to the law that allowed the City of San Antonio (City) to adopt a policy that would grant contracting preferences to local businesses for certain types of contracts. The City adopted such a policy, known as the Local Preference Program, described in the San Antonio City Code Chapter 2, Article XII, effective for solicitations issued after May 1, 2013.

This solicitation is subject to the Local Preference Program. For more information on the program, refer to the Local Preference Program Identification Form attached to this solicitation.

In order to receive consideration the Local Bidder must complete and return the attached Local Preference Identification Form.

ITEMS PRICING

ITEM	QUANTITY	DESCRIPTION
1	3	Wheeled Articulated Loader w/ Minimum 4 Cubic Yard Bucket

PRICE EACH: \$ 165,355.00

TOTAL: \$ 496,065.00

YEAR, MAKE & MODEL OFFERED:

2015, HYUNDAI HL960

SPECIFIC MAKE & MODEL OF ENGINE OFFERED (INCLUDE SAE NET HP):

CUMMINS QSB6.7 SAE 222HP

WARRANTY:

3 YEAR 3000 HOURS

WARRANTY SERVICE PROVIDER NAME:

HYUNDAI SUPPORT WARRANTY

WARRANTY FACILITY ADDRESS:

4697 FM1516 NORTH

CONVERSE, TEXAS 78109

DELIVERY WILL BE MADE WITHIN 90 CALENDER DAYS AFTER ISSUANCE OF PURCHASE ORDER.

PRODUCTION CUT-OFF DATE: 12/31/16

INDICATE THE LAST DAY THAT THE CITY CAN PLACE ORDERS UNDER THIS CONTRACT WITHOUT MISSING THE PRODUCTION CUT OFF DATE: 12/31/16.

BID PRICES SHALL REMAIN FIRM FOR ALL ORDERS PLACED PRIOR TO THIS CUT OFF DATE. IN THE EVENT THAT CITY DOES NOT AWARD A CONTRACT PRIOR TO PRODUCTION CUT OFF DATE, CAN BIDDER PROVIDE BID ITEMS, AT THE BID PRICE SUBMITTED, AFTER THE PRODUCTION CUT OFF DATE? NO.

ITEM	QUANTITY	DESCRIPTION
2	1	Tracked Milling Machine

PRICE EACH: \$ 528,355.00

TOTAL: \$ 528,355.00

YEAR, MAKE & MODEL OFFERED:

2015, WIRTGEN W200i

SPECIFIC MAKE & MODEL OF ENGINE OFFERED (INCLUDE SAE NET HP):

CUMMINS QSX15 SAE 580HP

WARRANTY:

12 MONTH 1000 HOURS

WARRANTY SERVICE PROVIDER NAME:

WIRTGEN

WARRANTY FACILITY ADDRESS:

4607 FM1516 NORTH

CONVERSE, TEXAS 78109

DELIVERY WILL BE MADE WITHIN 120 CALENDER DAYS AFTER ISSUANCE OF PURCHASE ORDER.

PRODUCTION CUT-OFF DATE: 12/31/16

INDICATE THE LAST DAY THAT THE CITY CAN PLACE ORDERS UNDER THIS CONTRACT WITHOUT MISSING THE PRODUCTION CUT OFF DATE: 12/31/16.

BID PRICES SHALL REMAIN FIRM FOR ALL ORDERS PLACED PRIOR TO THIS CUT OFF DATE. IN THE EVENT THAT CITY DOES NOT AWARD A CONTRACT PRIOR TO PRODUCTION CUT OFF DATE, CAN BIDDER PROVIDE BID ITEMS, AT THE BID PRICE SUBMITTED, AFTER THE PRODUCTION CUT OFF DATE? NO.

ITEM	QUANTITY	DESCRIPTION
3	3	Wheeled Motor Graders

PRICE EACH: \$ NO BID

TOTAL: \$ _____

YEAR, MAKE & MODEL OFFERED:

SPECIFIC MAKE & MODEL OF ENGINE OFFERED (INCLUDE SAE NET HP):

WARRANTY:

WARRANTY SERVICE PROVIDER NAME:

WARRANTY FACILITY ADDRESS:

DELIVERY WILL BE MADE WITHIN _____ CALENDER DAYS AFTER ISSUANCE OF PURCHASE ORDER.

PRODUCTION CUT-OFF DATE: _____

INDICATE THE LAST DAY THAT THE CITY CAN PLACE ORDERS UNDER THIS CONTRACT WITHOUT MISSING THE PRODUCTION CUT OFF DATE: _____.

BID PRICES SHALL REMAIN FIRM FOR ALL ORDERS PLACED PRIOR TO THIS CUT OFF DATE. IN THE EVENT THAT CITY DOES NOT AWARD A CONTRACT PRIOR TO PRODUCTION CUT OFF DATE, CAN BIDDER PROVIDE BID ITEMS, AT THE BID PRICE SUBMITTED, AFTER THE PRODUCTION CUT OFF DATE? _____.

ITEM	QUANTITY	DESCRIPTION
4	3	6 Ton Double Drum Vibratory Roller

PRICE EACH: \$ 112,395.00

TOTAL: \$ 337,185.00

YEAR, MAKE & MODEL OFFERED:

2015, HAMM HD70VV

SPECIFIC MAKE & MODEL OF ENGINE OFFERED (INCLUDE SAE NET HP):

DEUTZ TCD 2.9 L4 SAE 74.2HP

WARRANTY:

12 MONTH 1000 HOUR

WARRANTY SERVICE PROVIDER NAME:

WIRTGEN AMERICA

WARRANTY FACILITY ADDRESS:

4697 FM1516 NORTH

CONVERSE, TEXAS 78109

DELIVERY WILL BE MADE WITHIN 120 CALENDER DAYS AFTER ISSUANCE OF PURCHASE ORDER.

PRODUCTION CUT-OFF DATE: 12/31/2016

INDICATE THE LAST DAY THAT THE CITY CAN PLACE ORDERS UNDER THIS CONTRACT WITHOUT MISSING THE PRODUCTION CUT OFF DATE: 12/31/16.

BID PRICES SHALL REMAIN FIRM FOR ALL ORDERS PLACED PRIOR TO THIS CUT OFF DATE. IN THE EVENT THAT CITY DOES NOT AWARD A CONTRACT PRIOR TO PRODUCTION CUT OFF DATE, CAN BIDDER PROVIDE BID ITEMS, AT THE BID PRICE SUBMITTED, AFTER THE PRODUCTION CUT OFF DATE? NO.

ITEM	QUANTITY	DESCRIPTION
5	1	Pneumatic, Articulated Tired Roller

PRICE EACH: \$ NO BID

TOTAL: \$ _____

YEAR, MAKE & MODEL OFFERED:

SPECIFIC MAKE & MODEL OF ENGINE OFFERED (INCLUDE SAE NET HP):

WARRANTY:

WARRANTY SERVICE PROVIDER NAME:

WARRANTY FACILITY ADDRESS:

DELIVERY WILL BE MADE WITHIN _____ CALENDER DAYS AFTER ISSUANCE OF PURCHASE ORDER.

PRODUCTION CUT-OFF DATE: _____

INDICATE THE LAST DAY THAT THE CITY CAN PLACE ORDERS UNDER THIS CONTRACT WITHOUT MISSING THE PRODUCTION CUT OFF DATE: _____.

BID PRICES SHALL REMAIN FIRM FOR ALL ORDERS PLACED PRIOR TO THIS CUT OFF DATE. IN THE EVENT THAT CITY DOES NOT AWARD A CONTRACT PRIOR TO PRODUCTION CUT OFF DATE, CAN BIDDER PROVIDE BID ITEMS, AT THE BID PRICE SUBMITTED, AFTER THE PRODUCTION CUT OFF DATE? _____.

ITEM	QUANTITY	DESCRIPTION
6	2	Loader Backhoe with 12" Bucket and Telescopic Boom

PRICE EACH: \$ NO BID

TOTAL: \$ _____

YEAR, MAKE & MODEL OFFERED:

SPECIFIC MAKE & MODEL OF ENGINE OFFERED (INCLUDE SAE NET HP):

WARRANTY:

WARRANTY SERVICE PROVIDER NAME:

WARRANTY FACILITY ADDRESS:

DELIVERY WILL BE MADE WITHIN _____ CALENDER DAYS AFTER ISSUANCE OF PURCHASE ORDER.

PRODUCTION CUT-OFF DATE: _____

INDICATE THE LAST DAY THAT THE CITY CAN PLACE ORDERS UNDER THIS CONTRACT WITHOUT MISSING THE PRODUCTION CUT OFF DATE: _____.

BID PRICES SHALL REMAIN FIRM FOR ALL ORDERS PLACED PRIOR TO THIS CUT OFF DATE. IN THE EVENT THAT CITY DOES NOT AWARD A CONTRACT PRIOR TO PRODUCTION CUT OFF DATE, CAN BIDDER PROVIDE BID ITEMS, AT THE BID PRICE SUBMITTED, AFTER THE PRODUCTION CUT OFF DATE? _____.

ITEM	QUANTITY	DESCRIPTION
7	1	Loader Backhoe with 24" Bucket and 1K Hydraulic Breaker

PRICE EACH: \$ NO BID

TOTAL: \$ _____

YEAR, MAKE & MODEL OFFERED:

SPECIFIC MAKE & MODEL OF ENGINE OFFERED (INCLUDE SAE NET HP):

WARRANTY:

WARRANTY SERVICE PROVIDER NAME:

WARRANTY FACILITY ADDRESS:

DELIVERY WILL BE MADE WITHIN _____ CALENDER DAYS AFTER ISSUANCE OF PURCHASE ORDER.

PRODUCTION CUT-OFF DATE: _____

INDICATE THE LAST DAY THAT THE CITY CAN PLACE ORDERS UNDER THIS CONTRACT WITHOUT MISSING THE PRODUCTION CUT OFF DATE: _____.

BID PRICES SHALL REMAIN FIRM FOR ALL ORDERS PLACED PRIOR TO THIS CUT OFF DATE. IN THE EVENT THAT CITY DOES NOT AWARD A CONTRACT PRIOR TO PRODUCTION CUT OFF DATE, CAN BIDDER PROVIDE BID ITEMS, AT THE BID PRICE SUBMITTED, AFTER THE PRODUCTION CUT OFF DATE? _____.

ITEM	QUANTITY	DESCRIPTION
8	1	Dozer Crawler

PRICE EACH: \$ NO BID

TOTAL: \$ _____

YEAR, MAKE & MODEL OFFERED:

SPECIFIC MAKE & MODEL OF ENGINE OFFERED (INCLUDE SAE NET HP):

WARRANTY:

WARRANTY SERVICE PROVIDER NAME:

WARRANTY FACILITY ADDRESS:

DELIVERY WILL BE MADE WITHIN _____ CALENDER DAYS AFTER ISSUANCE OF PURCHASE ORDER.

PRODUCTION CUT-OFF DATE: _____

INDICATE THE LAST DAY THAT THE CITY CAN PLACE ORDERS UNDER THIS CONTRACT WITHOUT MISSING THE PRODUCTION CUT OFF DATE: _____.

BID PRICES SHALL REMAIN FIRM FOR ALL ORDERS PLACED PRIOR TO THIS CUT OFF DATE. IN THE EVENT THAT CITY DOES NOT AWARD A CONTRACT PRIOR TO PRODUCTION CUT OFF DATE, CAN BIDDER PROVIDE BID ITEMS, AT THE BID PRICE SUBMITTED, AFTER THE PRODUCTION CUT OFF DATE? _____.

(Prompt Payment Discount: 0 % _____ days. (If no discount is offered, Net 30 will apply.)



CONFLICT OF INTEREST QUESTIONNAIRE ADDENDUM FORM CIQ-A
For vendor or other person doing business with local governmental entity

Completed Conflict of Interest Questionnaires and Conflict of Interest Questionnaire Addenda are to be submitted by all individuals and/or entities who seek to do business with the City of San Antonio. Completed Forms shall be filed with the City Clerk no later than the 7th business day after the date the person/entity: (1) begins contract discussions or negotiations with the City; or (2) submits to the City an application, response to a request for proposal or bid, correspondence, or another writing related to a potential agreement with the City.

A CIQ and CIQ Addendum are required to be filed for **EACH** solicitation submitted, and are required to be submitted together.

1	Name of person who has or is seeking to have a business relationship with the City of San Antonio. BILLY BARTA
2	Name of Company that has or is seeking to have a business relationship with the City of San Antonio. NUECES POWER EQUIPMENT
2a	Business Contact information for Company listed above. Business Address: 4697 FM 1516 NORTH CONVERSE, TEXAS 78109 Phone: 210-210-0066 Email: billy@npetex.com
3	Bid Name or Description of Service PURCHASE OF HEAVY EQUIPMENT NO. 6100006830
4	Printed name of person doing business with the City of San Antonio (same as denoted on Box 4 of Form CIQ). BILLY BARTA

Completed Conflict of Interest Questionnaires and Addenda should be mailed or hand-delivered separately from the solicitation (bid) to one of the following addresses:

Mailing Address: **Office of the City Clerk**
P.O.Box 839966
San Antonio, TX 78283-3966

Physical Address: **Office of the City Clerk**
City Hall, 2nd Floor
100 Military Plaza
San Antonio, TX 78205

Print Form

CONFLICT OF INTEREST QUESTIONNAIRE

FORM CIQ

For vendor or other person doing business with local governmental entity

This questionnaire reflects changes made to the law by H.B. 1491, 80th Leg., Regular Session.

This questionnaire is being filed in accordance with Chapter 176, Local Government Code by a person who has a business relationship as defined by Section 176.001(1-a) with a local governmental entity and the person meets requirements under Section 176.006(a).

By law this questionnaire must be filed with the records administrator of the local governmental entity not later than the 7th business day after the date the person becomes aware of facts that require the statement to be filed. See Section 176.006, Local Government Code.

A person commits an offense if the person knowingly violates Section 176.006, Local Government Code. An offense under this section is a Class C misdemeanor.

OFFICE USE ONLY

Date Received

1 Name of person who has a business relationship with local governmental entity.

BILLY BARTA

2 Check this box if you are filing an update to a previously filed questionnaire.

(The law requires that you file an updated completed questionnaire with the appropriate filing authority not later than the 7th business day after the date the originally filed questionnaire becomes incomplete or inaccurate.)

3 Name of local government officer with whom filer has employment or business relationship.

NONE

Name of Officer

This section (item 3 including subparts A, B, C & D) must be completed for each officer with whom the filer has an employment or other business relationship as defined by Section 176.001(1-a), Local Government Code. Attach additional pages to this Form CIQ as necessary.

A. Is the local government officer named in this section receiving or likely to receive taxable income, other than investment income, from the filer of the questionnaire?

Yes

No

B. Is the filer of the questionnaire receiving or likely to receive taxable income, other than investment income, from or at the direction of the local government officer named in this section AND the taxable income is not received from the local governmental entity?

Yes

No

C. Is the filer of this questionnaire employed by a corporation or other business entity with respect to which the local government officer serves as an officer or director, or holds an ownership of 10 percent or more?

Yes

No

D. Describe each employment or business relationship with the local government officer named in this section.

4


Signature of person doing business with the governmental entity

12/3/15
Date

City of San Antonio
Finance Department - Purchasing Division
Local Preference Program Identification Form

The City of San Antonio Local Preference Program, described in the San Antonio City Code Chapter 2, Article XII, establishes a local preference for specific contracting categories. Each time a bidder or respondent submits a bid for a solicitation, this Local Preference Program Identification Form must be completed and turned in with the solicitation response in order to be identified as a City Business and receive the preference described below. The City will not rely on Local Preference Program Identification Forms submitted with prior or contemporaneous bids or proposals.

The Local Preference Program allows the City to grant a preference to a business meeting the definition of *City Business* in the award of the following types of contracts, when selection is made based on price alone:

- **Personal Property (Goods / Supplies):** The local bidder's price must be within 3% of the price of the lowest non-local bidder for contracts of \$50,000 or more;
- **Non-professional Services:** The local bidder's price must be within 3% of the price of the lowest non-local bidder for contracts of \$50,000 to under \$500,000;
- **Construction Services:** The local bidder's price must be within 3% of the price of the lowest non-local bidder for contracts of \$50,000 to under \$100,000, excluding contracts awarded using alternative delivery methods.

The Local Preference Program also allows the award of additional points, when multiple evaluation criteria are used in the award of professional service contracts, where the selection process is not governed by statute and in revenue generating and concession contracts. A business meeting the definition of *City Business* stated below may be awarded 10 points for being headquartered within the city, or 5 points for having a local office within the city.

Moreover, the program recognizes joint venture agreements and allows for apportioning of points based upon the percentage of ownership of joint ventures by *City Businesses* responding to solicitations for which discretionary points are applied. For solicitations where selection is made based on price alone, all members of a joint venture must be *City Businesses* for the preference to be applied.

City Business is defined as a business headquartered within the incorporated San Antonio city limits for one year or more OR one that meets the following conditions:

- Has an established place of business for one year or more in the incorporated limits of the City:
 - (a) from which at least 100 of its employees OR at least 20% of its total full-time, part-time and contract employees are regularly based; and
 - (b) from which a substantial role in the business' performance of a commercially useful function or a substantial part of its operations is conducted by those employees.

A location utilized solely as a post office box, mail drop or telephone message center or any similar combination, with no other substantial work function, is not a *City Business*.

For the purposes of this program, Headquartered is defined as the place where a business entity's officers direct, control, and coordinate the entity's activities.

NOTE: Bidders / Respondents are required to submit documentation to substantiate that the requirements of a *City Business* have been met. Examples of documentation may include, but are not limited to the following:

1. Existence of local headquarters or office: For corporations, Texas Comptroller's listing of names/addresses of officers and directors. For partnerships, partnership agreement and any documents identifying the current managing partners and their current work addresses
2. Evidence of local headquarters or office in existence for one year or more: Utility bills, real property lease agreements, equipment leases, personal property taxes, real property taxes
3. Evidence of number of employees: Organizational charts, payroll records by location

City of San Antonio
Finance Department - Purchasing Division
Local Preference Program Identification Form

CITY RESERVES THE RIGHT TO REQUEST ADDITIONAL INFORMATION TO VALIDATE BIDDERS'/RESPONDENTS' DESIGNATION AS A CITY BUSINESS.

COMPLETE THE FOLLOWING FORM AND SUBMIT WITH YOUR RESPONSE EVEN IF YOU ARE NOT SEEKING A LOCAL PREFERENCE. THE BIDDER / RESPONDENT MUST COMPLETE THE FOLLOWING FORM TO BE IDENTIFIED AS A CITY BUSINESS. IF BIDDER / RESPONDENT IS SUBMITTING AS A JOINT VENTURE, EACH CITY BUSINESS THAT IS A MEMBER OF THE JOINT VENTURE MUST COMPLETE AND SIGN THIS FORM.

PROVIDE THE FOLLOWING INFORMATION IF BIDDER/ RESPONDENT IS SUBMITTING AS PART OF A JOINT VENTURE. Joint Venture means a collaboration of for-profit business entities, in response to a solicitation, which is manifested by a written agreement, between two or more independently owned and controlled business firms to form a third business entity solely for purposes of undertaking distinct roles and responsibilities in the completion of a given contract. Under this business arrangement, each joint venture partner shares in the management of the joint venture and also shares in the profits or losses of the joint venture enterprise commensurately with its contribution to the venture.

STATE BIDDER'S / RESPONDENT'S PERCENTAGE OF OWNERSHIP IN THE JOINT VENTURE: 0 %

SUBMIT A COPY OF THE JOINT VENTURE AGREEMENT. SUBMIT ANY OTHER DOCUMENTATION REQUESTED BY CITY TO SUBSTANTIATE THE EXISTANCE OF AND/OR PARTICIPATION IN THE JOINT VENTURE. NO PREFERENCE POINTS WILL BE ALLOCATED TO A JOINT VENTURE THAT FAILS TO SUBMIT REQUIRED DOCUMENTATION.

SOLICITATION NAME/NUMBER: PURCHASE OF HEAVY EQUIPMENT NO.6100006830

PROVIDE THE FOLLOWING INFORMATION REGARDING BIDDER'S / RESPONDENT'S HEADQUARTERS:

Name of Business:	NUECES POWER EQUIPMENT	
Physical Address:	4697 FM1516 NORTH	
City, State, Zip Code:	CONVERSE, TEXAS 78109	
Phone Number:	210-310-0066	
Email Address:	billy@npetex.com	
Provide the total number of full-time, part-time, and contract personnel employed by Bidder / Respondent:	<u> 15 </u>	
Is Business headquartered within the incorporated San Antonio city limits? (circle one)	Yes	<input checked="" type="radio"/> No
Has the business been headquartered in the incorporated San Antonio city limits for one year or more? (circle one)	Yes	<input checked="" type="radio"/> No
If the answers to the questions above are "Yes", stop here. If the answer to either of the above questions is "No", provide responses to the following questions:		

City of San Antonio
Finance Department - Purchasing Division
Local Preference Program Identification Form

PROVIDE THE FOLLOWING INFORMATION REGARDING BIDDER'S / RESPONDENT'S LOCAL OFFICE (IF APPLICABLE):

Name of Business:	NUECES POWER EQUIPMENT	
Physical Address:	4697 FM1516 NORTH	
City, State, Zip Code:	CONVERSE, TEXAS 78109	
Phone Number:	210-310-0066	
Email Address:	billy@npetex.com	
Provide the total number of full-time, part-time, and contract personnel employed by Bidder / Respondent in the local office:	15	
Is the business located in the incorporated San Antonio city limits? (circle one)	Yes	<input checked="" type="radio"/> No
Has the business been located in the incorporated San Antonio city limits for one year or more? (circle one)	Yes	<input checked="" type="radio"/> No
Are at least 100 full-time, part-time or contract employees regularly based in the San Antonio office? (circle one)	Yes	<input checked="" type="radio"/> No
Are at least 20% of the business' total full-time, part-time or contract employees regularly based in the San Antonio office? (circle one)	<input checked="" type="radio"/> Yes	No
Do the employees in the San Antonio office perform a substantial role in the business' performance of a commercially useful function or are a substantial part of the business' operations conducted in the San Antonio office? (circle one)	<input checked="" type="radio"/> Yes	No

City of San Antonio
Finance Department - Purchasing Division
Local Preference Program Identification Form

ACKNOWLEDGEMENT

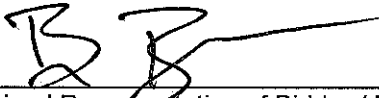
THE STATE OF TEXAS

I certify that my responses and the information provided on this Local Preference Program Identification Form are true and correct to the best of my personal knowledge and belief and that I have made no willful misrepresentations on this form, nor have I withheld any relevant information in my statements and answers to questions. I am aware that any information given by me on this Local Preference Program Identification Form may be investigated and I hereby give my full permission for any such investigation, including the inspection of business records and site visits by City or its authorized representative. I fully acknowledge that any misrepresentations or omissions in my responses and information may cause my offer to be rejected or contract to be terminated. I further acknowledge that providing false information is grounds for debarment.

BIDDER'S / RESPONDENT'S FULL NAME:

Billy Barta

(Print Name) Authorized Representative of Bidder / Respondent



(Signature) Authorized Representative of Bidder / Respondent

SALES

Title

12/3/15

Date

**This Local Preference Identification Form must be submitted with the bidder's /
respondent's bid/proposal response.**

1. The first part of the document discusses the importance of maintaining accurate records of all transactions. It emphasizes that proper record-keeping is essential for the integrity of the financial system and for the ability to detect and prevent fraud.

2. The second part of the document outlines the specific requirements for record-keeping, including the need to maintain original documents and to keep copies of all transactions. It also discusses the importance of regular audits and the role of the auditor in ensuring the accuracy of the records.

3. The third part of the document discusses the consequences of failing to maintain accurate records, including the potential for financial loss and the risk of legal action. It also discusses the importance of transparency and the role of the public in ensuring the integrity of the financial system.

City of San Antonio
Veteran-Owned Small Business Program Tracking Form

Authority. San Antonio City Code Chapter 2, Article XI describes the City's veteran-owned small business preference program.

Tracking. This solicitation is not eligible for a preference based on status as a veteran-owned small business (VOSB). Nevertheless, in order to determine whether the program can be expanded at a later date, the City tracks VOSB participation at both prime contract and subcontract levels.

Certification. The City relies on inclusion in the database of veteran-owned small businesses (VOSB) maintained by the U.S. Small Business Administration to verify VOSB status; however, veteran status may also be confirmed by certification by another public or private entity that uses similar certification procedures.

Definitions.

The program uses the federal definitions of veteran and veteran-owned small business found in 38 CFR Part 74.

- The term "veteran" means a person who served on active duty with the U.S. Army, Air Force, Navy, Marine Corps, Coast Guard, for any length of time and at any place and who was discharged or released under conditions other than dishonorable. Reservists or members of the National Guard called to federal active duty or disabled from a disease or injury incurred or aggravated in line of duty or while in training status.
- A veteran-owned small business is a business that is not less than 51 percent owned by one or more veterans, or in the case of any publicly owned business, not less than 51 percent of the stock of which is owned by one or more veterans; the management and daily business operations of which are controlled by one or more veterans and qualifies as "small" for Federal business size stand purposes.

The program uses the below definition of joint venture.

- Joint Venture means a collaboration of for-profit business entities, in response to a solicitation, which is manifested by a written agreement, between two or more independently owned and controlled business firms to form a third business entity solely for purposes of undertaking distinct roles and responsibilities in the completion of a given contract. Under this business arrangement, each joint venture partner shares in the management of the joint venture and also shares in the profits or losses of the joint venture enterprise commensurately with its contribution to the venture.

The program does not distinguish between a veteran and a service-disabled veteran-owned business and is not limited geographically.

COMPLETE THE FOLLOWING FORM AND SUBMIT WITH YOUR BID/PROPOSAL.

INSTRUCTIONS

- IF SUBMITTING AS A PRIME CONTRACTOR ONLY, COMPLETE **SECTION 1** OF THIS FORM.
- IF SUBMITTING AS A PRIME CONTRACTOR UTILIZING A SUBCONTRACTOR, COMPLETE **SECTIONS 1 AND 2** OF THIS FORM.

City of San Antonio
Veteran-Owned Small Business Program Tracking Form

SOLICITATION NAME/NUMBER: Purchase of Heavy Equipment (IFB#6100006830)

Name of Respondent:	Billy Barta	
Physical Address:	4697 FM1516 North	
City, State, Zip Code:	Converse, Texas 78109	
Phone Number:	361-489-7580	
Email Address:	billy@npetex.com	
Is Respondent certified as a VOSB with the U.S. Small Business Administration? (circle one)	Yes	<input checked="" type="radio"/> No
If yes, provide the SBA Certification #		
If not certified by the SBA, is Respondent certified as a VOSB by another public or private entity that uses similar certification procedures? (circle one)	Yes	<input checked="" type="radio"/> No
If yes, provide the name of the entity who has certified Respondent as a VOSB. Include any identifying certification numbers.		
Participation Percentage:	0	
Participation Dollar Amount:	0	

Is Respondent subcontracting with a business that is certified as a VOSB? (circle one)	Yes	<input checked="" type="radio"/> No
Name of SUBCONTRACTOR Veteran-Owned Small Business:		
Physical Address:		
City, State, Zip Code:		
Phone Number:		
Email Address:		
Is SUBCONTRACTOR certified as a VOSB with the U.S. Small Business Administration? (circle one)	Yes	<input checked="" type="radio"/> No
If yes, provide the SBA Certification #		
If not certified by the SBA, is SUBCONTRACTOR certified as a VOSB by another public or private entity that uses similar certification procedures? (circle one)	Yes	<input checked="" type="radio"/> No
If yes, provide the name of the entity who has certified SUBCONTRACTOR as a VOSB. Include any identifying certification numbers.		
Participation Percentage:	0	
Participation Dollar Amount	0	

City of San Antonio
Veteran-Owned Small Business Program Tracking Form

ACKNOWLEDGEMENT

THE STATE OF TEXAS

I certify that my responses and the information provided on this Veteran-Owned Small Business Preference Program Identification Form are true and correct to the best of my personal knowledge and belief and that I have made no willful misrepresentations on this form, nor have I withheld any relevant information in my statements and answers to questions. I am aware that any information given by me on this Veteran-Owned Small Business Preference Program Identification Form may be investigated and I hereby give my full permission for any such investigation, including the inspection of business records and site visits by City or its authorized representative. I fully acknowledge that any misrepresentations or omissions in my responses and information may cause my offer to be rejected or contract to be terminated. I further acknowledge that providing false information is grounds for debarment.

BIDDER/RESPONDENT'S FULL NAME:

Billy Barta

(Print Name) Authorized Representative of Bidder/Respondent



(Signature) Authorized Representative of Bidder/Respondent

SALES

Title

12/3/15

Date

This Veteran-Owned Small Business Program Tracking Form must be submitted with the Bidder/Respondent's bid/proposal.

Attachment - C

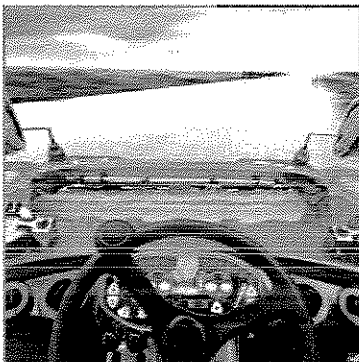
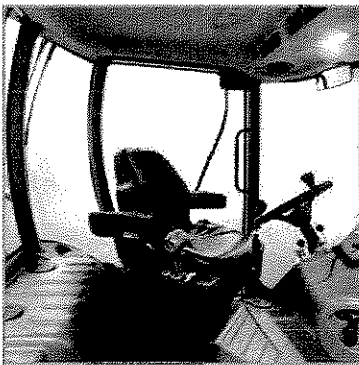
Non-Discrimination. As a party to this contract, Vendor understands and agrees to comply with the *Non-Discrimination Policy* of the City of San Antonio contained in Chapter 2, Article X of the City Code and further, shall not discriminate on the basis of race, color, religion, national origin, sex, sexual orientation, gender identity, veteran status, age or disability, unless exempted by state or federal law, or as otherwise established herein.



HD+ 70i VV / VV HF

HD+ 70i VV - Articulated tandem roller with two vibratory drums

HD+ 70i VV HF - Articulated tandem roller with two high frequency vibratory drums



- ▶ Ergonomic operator's compartment with access from either the left or right side
- ▶ A full 180° rotating operator's station with swiveling seat and tilt steering wheel
- ▶ Excellent visibility to the drum surface, drum edges and work areas
- ▶ 5.3" offset to either left or right side
- ▶ Hydrostatic dual drum drive, infinitely variable
- ▶ High performance, turbo-charged diesel engine that meets all current EPA emission requirements
- ▶ Dual pump water system with all spray nozzles clearly visible from the operator's seat
- ▶ Electronic engine management system and adjustable, automatic speed control

HD+ 70i VV / VV HF

HD+ 70i VV - Articulated tandem roller with two vibratory drums

HD+ 70i VV HF - Articulated tandem roller with two high frequency vibratory drums

		HD+ 70i VV	HD+ 70i VV HF
Weights			
Operating weight with ROPS/canopy	lbs (kg)	16,029 (7271)	16,029 (7271)
Operating weight, max.	lbs (kg)	21,605 (9800)	21,605 (9800)
Axle load, front/rear	lbs (kg)	8,175 / 7,854 (3708 / 3563)	8,175 / 7,854 (3708 / 3563)
Static linear load, front/rear	lbs / in (kg/cm)	138.6 / 133.1 (24,7 / 23,8)	138.6 / 133.1 (24,7 / 23,8)
Machine Dimensions			
Maximum working width	in (mm)	64.4 (1635)	64.4 (1635)
Lateral overhang, left/right	in (mm)	2.4 / 2.4 (60 / 60)	2.4 / 2.4 (60 / 60)
Ground clearance, left/right	in (mm)	29.5 / 29.5 (750 / 750)	29.5 / 29.5 (750 / 750)
Ground clearance, center	in (mm)	13.4 (340)	13.4 (340)
Turning radius, inside	in (mm)	166.5 (4230)	166.5 (4230)
Drum thickness, front/rear	in (mm)	0.67 / 0.67 (17 / 17)	0.67 / 0.67 (17 / 17)
Diesel engine			
Manufacturer		DEUTZ	DEUTZ
Model		TCD 2.9 L4	TCD 2.9 L4
Number of cylinders		4	4
Power rating ISO 14396, kW/HP/rpm		55,4/75,3/2500	55,4/75,3/2500
Power rating SAE J1349, HP/kW/rpm		74.2/55,4/2500	74.2/55,4/2500
Emissions standard EU/USA		III B / Tier 4i	III B / Tier 4i
Fuel tank, capacity	Gal (Ltr)	31.7 (120)	31.7 (120)
Drive			
Hydrostatic drive, front/rear		Hydr. motor/Hydr. motor	Hydr. motor/Hydr. motor
Speed, working gear	mph (km/h)	0-3.7 (0-6,0)	0-3.7 (0-6,0)
Speed, transport gear	mph (km/h)	0-7.5 (0-12,0)	0-7.5 (0-12,0)
Climbing ability, vibration on/off	%	35/40	35/40
Vibration system			
Hydrostatic drive			
Vibration			
Vibration frequency, front, I / II	vpm (Hz)	2,880 / 3,480 (48/58)	2,700 / 4,020 (45/67)
Vibration frequency, rear, I / II	vpm (Hz)	2,880 / 3,480 (48/58)	2,700 / 4,020 (45/67)
Amplitude, front, I / II	in (mm)	.025 / .014 (0,63/0,35)	.023 / .013 (0,58/0,32)
Amplitude, rear, I / II	in (mm)	.025 / .014 (0,63/0,35)	.023 / .013 (0,58/0,32)
Centrifugal force, front, I / II	lbs (kN)	17,325 / 14,175 (77/63)	15,075 / 18,900 (67/84)
Centrifugal force, rear, I / II	lbs (kN)	17,325 / 14,175 (77/63)	15,075 / 18,900 (67/84)
Steering			
Steering, type		Articulated steering	Articulated steering
Steering, actuation		hydrostatic, steering wheel	hydrostatic, steering wheel
Steering angle +/-	Grad	37	37
Oscillation angle +/-	Grad	10	10
Sprinkler system			
Water sprinkler, type		Pressure	Pressure
Actuation, sprinkling		interval/manual	interval/manual
Water tank, capacity	Gal (Ltr)	185 (700)	185 (700)

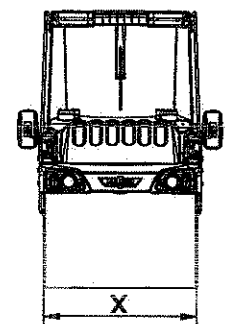
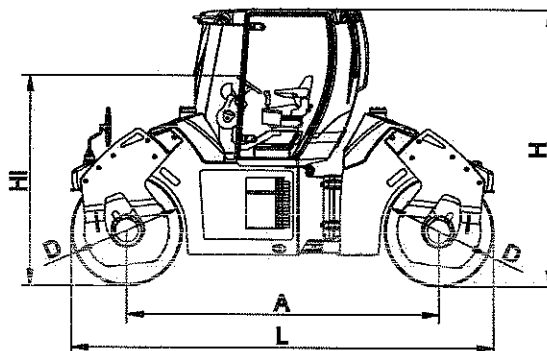
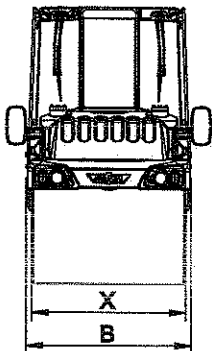
Standard equipment

Suspended operator's platform, swiveling and rotating operator's seat, 2 multifunctional levers, left and right at seat, indicators for: engine coolant temperature, working hours, fuel level, hydraulic oil temperature, water level in tanks, speedometer, vibration frequency of each drum, control lights and emergency stop button. 2 work lights, front and rear, turn signals, flashers and drum edge lights. Seat belt, back-up alarm and main battery switch. 5.3" hydraulic offset to either side. Independent amplitude and frequency adjustment for each drum. Adjustable, automatic speed control. Electronic engine management system. Tachometer. 2 mirrors, front mounted. ROPS/canopy. 4 quartz halogen, ROPS/canopy mounted night paving lights. CE-conformity.

Optional equipment

Panoramic ROPS cab with: heater, defroster, dust-free ventilation, interior lighting, front and rear wipers, front and rear work lights and interior mirror. Air conditioning. Radio. Edge pressing and cutting equipment. Special paint. Asphalt temperature gauge. 4 Xenon, ROPS/canopy mounted night paving lights. HCQ-asphalt compaction meter.

Total length	L	176.4" (4480)	176.4" (4480)
Total width	B	63.8" (1620)	63.8" (1620)
Total height	H	113.8" (2890)	113.8" (2890)
Wheel base	A	131.5" (3340)	131.5" (3340)
Drum width	X	59" / 59" (1500/1500)	59" / 59" (1500/1500)
Drum diameter	D	45" / 45" (1140/1140)	45" / 45" (1140/1140)
Height loading, min.	Hi	81.9" (2080)	81.9" (2080)



WIRTGEN AMERICA - HAMM COMPACTION EQUIPMENT

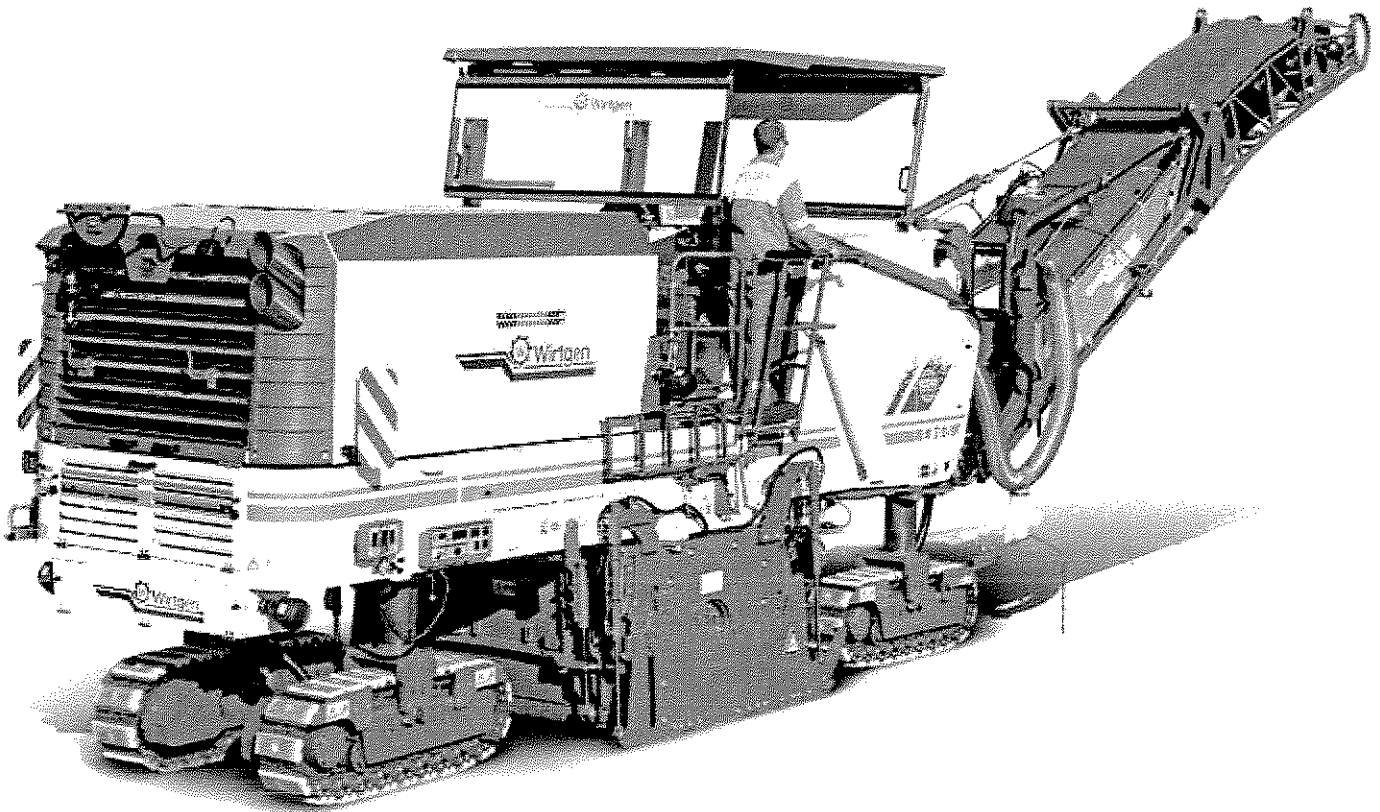
6030 Dana Way • Antioch, TN 37013 • 615-501-0600 • Fax 615-501-0691 • www.wirtgenamerica.com





Technical specification

Cold Milling Machine W 200 / W 200i

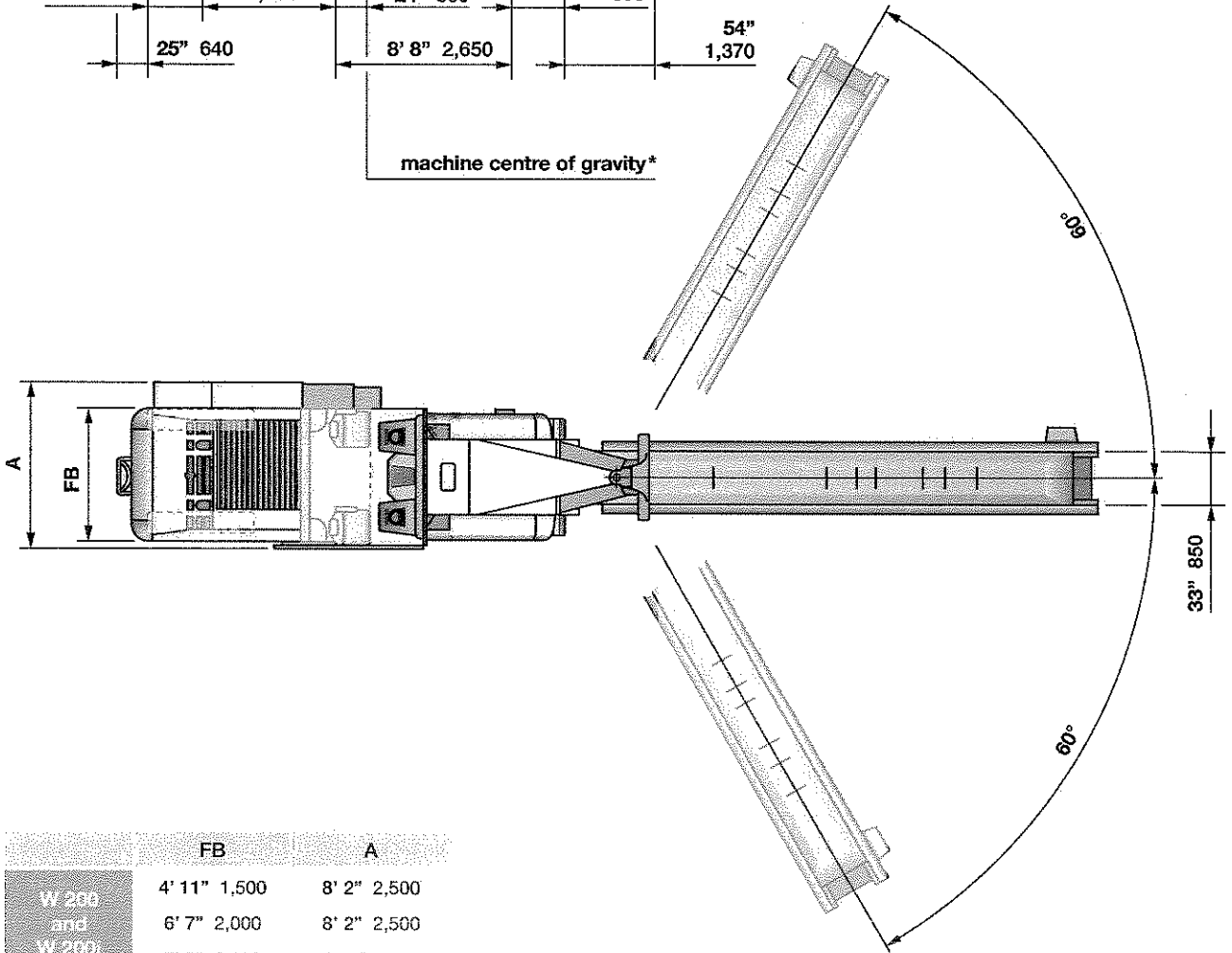
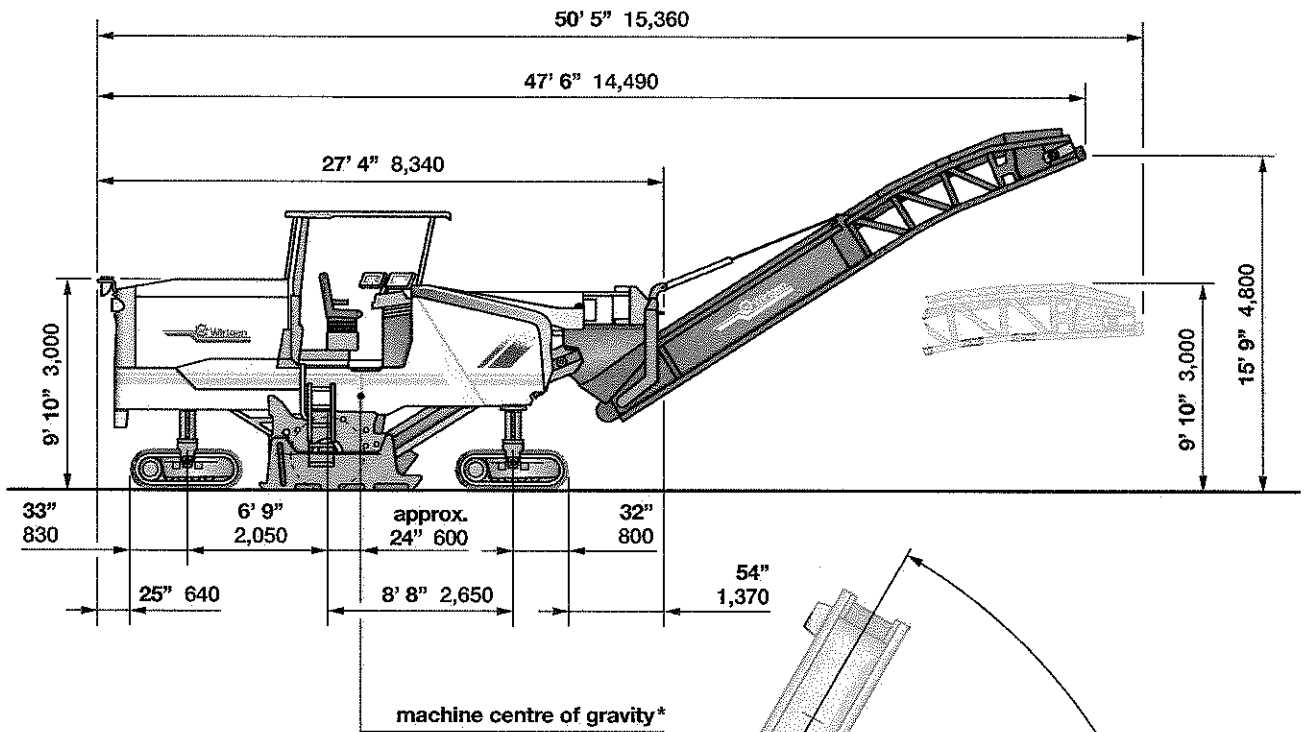


Technical specification

	Cold milling machine W 200 and W 200i		
Milling drum	Option FB 1,500	Standard FB 2,000	Option FB 2,200
Milling width	4' 11" 1,500 mm	6' 7" 2,000 mm	7' 3" 2,200 mm
Milling depth*1	0-12" 0-310 mm	0-13" 0-330 mm	0-13" 0-330 mm
Tool spacing	5/8" 15 mm	5/8" 15 mm	5/8" 15 mm
Number of tools	136	162	174
Drum diameter with tools	40" 1,020 mm		
Engine	W 200	W 200i	
Manufacturer	CUMMINS		
Type	QSX15	QSX15	
Cooling	Water		
Number of cylinders	6	6	
Rated power at 2,100 min ⁻¹	373 kW/500 HP/507 PS	433 kW/580 HP/589 PS	
Maximum power at 1,800 min ⁻¹	410 kW/550 HP/558 PS	447 kW/600 HP/608 PS	
Operating power at 1,600 min ⁻¹	380 kW/510 HP/517 PS	436 kW/585 HP/593 PS	
Displacement	4 gal 15 l	4 gal 15 l	
Fuel consumption at rated power	26.2 gal/h 99 l/h	28 gal/h 106 l/h	
Fuel consumption in field mix	10.6 gal/h 40 l/h	11.1 gal/h 42 l/h	
Emission standards	EU Stage 3a/US Tier 3	EU Stage 3b/US Tier 4i	
Electrical system	24 V		
Filling capacities			
Fuel tank	322.3 gal 1,220 l		
Hydraulic fluid tank	52.8 gal 200 l		
Water tank	885 gal 3,350 l		
Driving properties			
Travel speed in milling and travel gear, max	0-279 ft/min (3.11 mph) 0-85 m/min (5 km/h)		
Crawler tracks			
Crawler tracks front and rear (L x W x H)	5' 4" x 10" x 23" 1,630 x 260 x 590 mm		
Loading the milled material			
Belt width of primary conveyor	33" 850 mm		
Belt width of discharge conveyor	33" 850 mm		
Theoretical capacity of discharge conveyor	490.5 yd ³ /h 375 m ³ /h		
Shipping dimensions			
Machine, optional milling width 4' 11" (1,500 mm) (L x W x H)	27' 4" x 8' 2" x 9' 10" 8,340 mm x 2,500 x 3,000 mm		
Machine, standard milling width 6' 7" (2,000 mm) (L x W x H)	27' 4" x 8' 2" x 9' 10" 8,340 mm x 2,500 x 3,000 mm		
Machine, optional milling width 7' 3" (2,200 mm) (L x W x H)	27' 4" x 8' 10" x 9' 10" 8,340 mm x 2,700 x 3,000 mm		
Discharge conveyor (L x W x H)	25' 11" x 57" x 4' 11" 7,900 x 1,450 x 1,500 mm		

*1 = The maximum milling depth may deviate from the value indicated, due to tolerances and wear.

Dimensions in American standard and mm



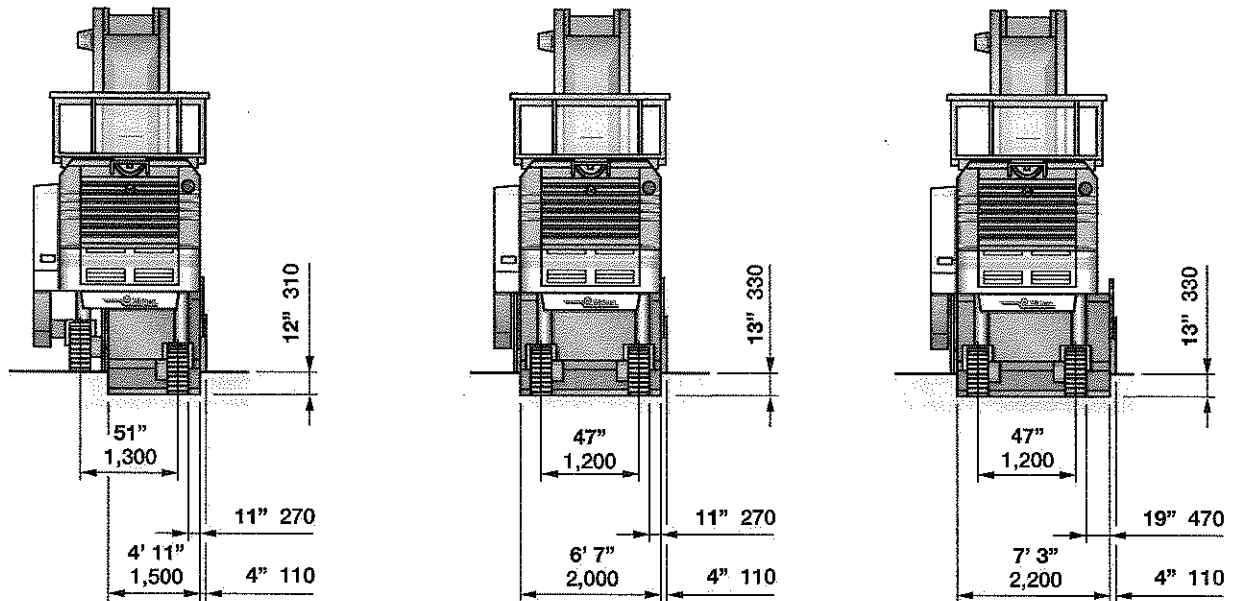
	FB	A
W 200	4' 11" 1,500	8' 2" 2,500
and	6' 7" 2,000	8' 2" 2,500
W 200i	7' 3" 2,200	8' 10" 2,700

* = based on operating weight, CE, with conveyor folded out

	Machine weights W 200 and W 200i
Empty weight of machine without filling media	55,887 lbs 25,350 kg
Operating weight, CE *	60,914 lbs 27,630 kg
Operating weight, max. (full tanks, full range of equipment), milling width 7' 3" (2,200 mm)	78,970 lbs 35,820 kg
	Weights of filling media
Water tank filling in kg	7,386 lbs 3,350 kg
Diesel tank filling in kg (6.93 lbs/gal (0.83 kg/l))	2,205 lbs 1,000 kg
	Optional equipment features increasing/ reducing empty weight
Driver and tools	
Driver	165 lbs 75 kg
Weight of 5 cutting tool containers	276 lbs 125 kg
On-board tools	66 lbs 30 kg
Optional milling drum assemblies in lieu of standard	
Milling drum housing, milling width 4' 11" (1,500 mm)	220 lbs 100 kg
Milling drum housing, milling width 7' 3" (2,200 mm)	441 lbs 200 kg
Milling drum housing, milling width 6' 7" (2,000 mm), FCS-L	1,433 lbs 650 kg
Milling drum housing, milling width 7' 3" (2,200 mm), FCS-L	1,984 lbs 900 kg
Optional milling drums in lieu of standard	
Milling drum, milling width 4' 11" (1,500 mm), tool spacing 15	-1,014 lbs -460 kg
Milling drum, milling width 7' 3" (2,200 mm), tool spacing 15	397 lbs 180 kg
Optional FCS milling drums in lieu of standard	
Milling drum, milling width 6' 7" (2,000 mm), tool spacing 6x2, FCS-L	2,183 lbs 990 kg
Milling drum, milling width 6' 7" (2,000 mm), tool spacing 8, FCS-L	1,455 lbs 660 kg
Milling drum, milling width 6' 7" (2,000 mm), tool spacing 15, FCS-L	-331 lbs -150 kg
Milling drum, milling width 6' 7" (2,000 mm), tool spacing 18, FCS-L	-573 lbs -260 kg
Milling drum, milling width 7' 3" (2,200 mm), tool spacing 6x2, FCS-L	2,337 lbs 1,060 kg
Milling drum, milling width 7' 3" (2,200 mm), tool spacing 8, FCS-L	1,984 lbs 900 kg
Milling drum, milling width 7' 3" (2,200 mm), tool spacing 15, FCS-L	0 lbs 0 kg
Milling drum, milling width 7' 3" (2,200 mm), tool spacing 18, FCS-L	-66 lbs -30 kg
Optional additional equipment	
Operator's platform with comfortable seats in lieu of standard	551 lbs 250 kg
Canopy in lieu of standard	617 lbs 280 kg
Cabin in lieu of standard	1,323 lbs 600 kg
Folding conveyor in lieu of standard	1,146 lbs 520 kg
VCS – Vacuum Cutting System	331 lbs 150 kg
Supplementary weight for flexible use	3,748 lbs 1,700 kg

* = weight of machine with half-full water tank, half-full fuel tank, driver (165 lbs (75 kg)) and on-board tools

Rear view of machine with different milling width options
 Dimensions in American standard and mm

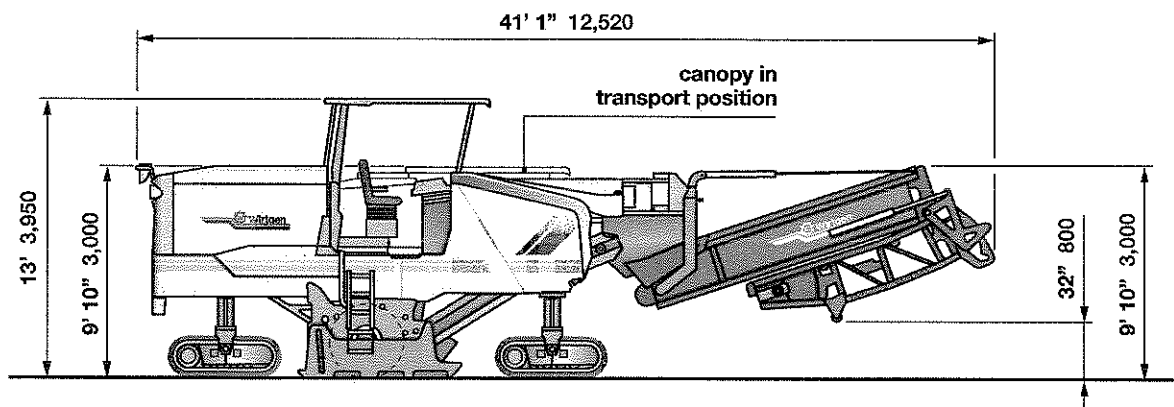


4' 11" (1.50 m) wide drum assembly

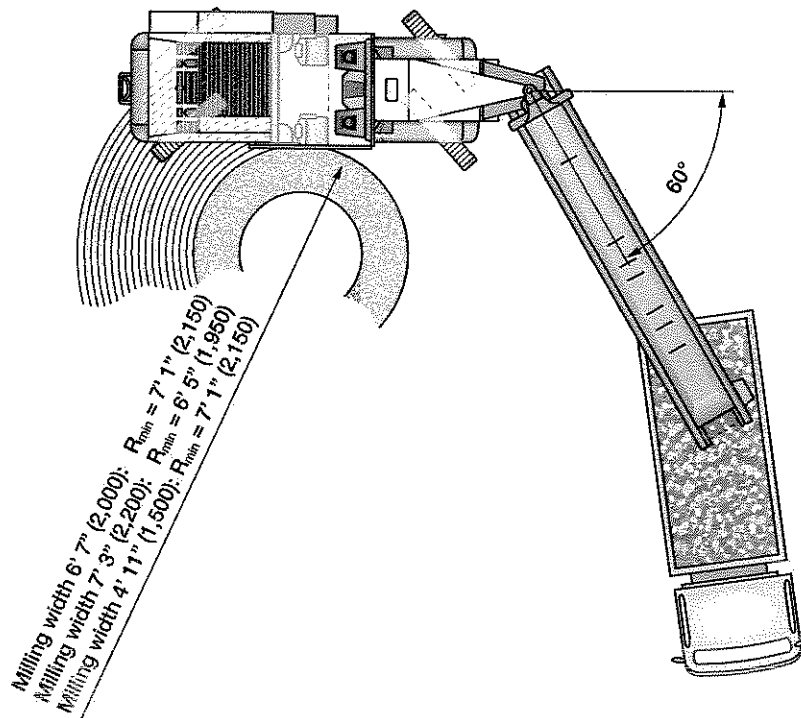
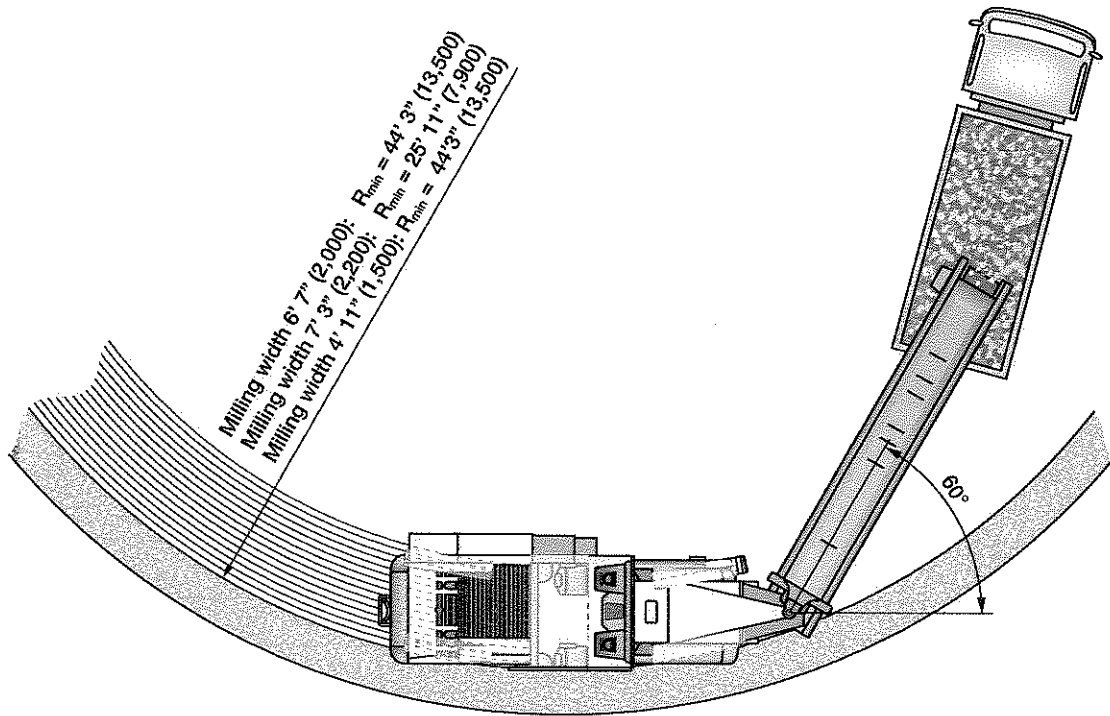
6' 7" (2.00 m) wide drum assembly

7' 3" (2.20 m) wide drum assembly

Machine transport with optional canopy and hydraulic folding conveyor
 Dimensions in American standard and mm



Milling radius, 6" (150 mm) milling depth
 Dimensions in American standard and mm



Equipment features of cold milling machine W 200 and W 200i

Standard equipment:

Basic machine with engine

- Machine frame with dual wasp waist
- Hydraulically opening, soundproof engine cowling
- Air compressor system
- Battery-operated hydraulic module for hydraulic cylinder functions and for emergency functions
- Automatically engaging high-pressure water system, 18 bar, 17.7 gal/min (67 l/min)
- Engine cooling system with temperature-governed fan speed
- Large storage compartments for cutting tool containers
- Standard painting in Wirtgen white with orange stripes

Milling drum housing

- Milling drum housing for milling width 6' 7" (2,000 mm) without FCS features
- Three electrically engageable milling drum speeds
127 1/min - 109 1/min - 97 1/min
- Hydraulic gradation control beam with conveyor lift function
- Hydraulically movable and adjustable scraper blade with automatic locking function
- Hydraulically lifting edge protection plates left and right; clearance right 18" (450 mm), clearance left 13" (330 mm)
- Two separately engageable water spray bars in the milling drum assembly

Milling drums

- Milling drum, milling width 6' 7" (2,000 mm), HT11, tool spacing LA15
- Multiple-use ejector system

Loading of milled material

- Conveyor system with manually or automatically adjustable conveying speed
- Water spray system at the primary conveyor
- Stewing angle of discharge conveyor $\pm 60^\circ$

Machine and levelling control

- Clearly structured main control panel with functional switches
- Multi-functional control screen including display of major machine parameters
- Multifunctional truck loading indicator integrated in control screen
- Comprehensive diagnostic system included in control screen
- Automatically engaging milling power control unit
- Four exterior control panels for operation by ground staff
- Digital electric height indicator
- Full pre-installation for up to 7 levelling sensors per machine side

Operator's platform

- Fully anti-vibration mounted operator's platform
- Convenient, individually adjustable control panel
- Convenient access to operator's platform with stand-up seat, left and right
- Lockable covers for control panels
- Two mirrors at the front, one mirror at the centre, one mirror at the rear of the machine

Chassis and height adjustment

- PTS - machine is aligned parallel to the pavement surface automatically
- ISC - intelligent crawler track speed control through hydraulic four-track drive
- High machine stability through four-fold full-floating axle
- Four-track steering with freely selectable steering modes
- Extremely wear-resistant, two-piece EPS polyurethane track pads

Miscellaneous

- Lighting package with 11 halogen working spotlights
- Four LED lights in the area of the milling drum unit
- "Welcome" and "Go home" lights feature including LED lighting in the area of the operator's access and platform
- Comprehensive toolkit in lockable toolbox
- Comprehensive safety package with 6 emergency stop switches
- European design type certification, GS mark (Geprüfte Sicherheit = Tested Safety) and CE conformity
- Standard warranty of 12 months or 1,000 engine operating hours
- Machine commissioning by qualified personnel
- Comprehensive operating manual and machine documentation

Optional equipment:

Basic machine with engine

- Special painting in one, two or several colours

Milling drum housing

- Milling drum housing for milling width 4' 11" (1,500 mm)
- Milling drum housing for milling width 7' 3" (2,200 mm)
- Milling drum housing for milling width 6' 7" (2,000 mm), FCS-Light
- Milling drum housing for milling width 7' 3" (2,200 mm), FCS-Light
- Drum turning device for cutting tool replacement
- Pneumatic cutting tool driver and extractor
- Max. 2 electro-hydraulically operated cutting tool extractors
- Fold-out additional seats at the rear crawler tracks for cutting tool replacement

Milling drums

- Milling drum, milling width 7' 3" (2,200 mm), HT11
- Milling drum, milling width 6' 7" (2,000 mm), HT11, LA15, FCS-Light
- Milling drum, milling width 7' 3" (2,200 mm), HT11, LA15, FCS-Light
- Milling drum, milling width 6' 7" (2,000 mm), HT11, LA8, FCS-Light
- Milling drum, milling width 7' 3" (2,200 mm), HT11, LA8, FCS-Light
- Milling drum, milling width 6' 7" (2,000 mm), HT5, LA6x2, FCS-Light
- Milling drum, milling width 7' 3" (2,200 mm), HT5, LA6x2, FCS-Light
- Milling drum, milling width 6' 7" (2,000 mm), HT11, LA25, FCS-Light
- Milling drum, milling width 7' 3" (2,200 mm), HT11, LA25, FCS-Light
- Milling drum, milling width 6' 7" (2,000 mm), HT11, LA18, FCS-Light
- Milling drum, milling width 7' 3" (2,200 mm), HT11, LA18, FCS-Light
- Mounting carriage for milling drums

Loading of milled material

- Hydraulically folding discharge conveyor
- VCS - vacuum cutting system
- Conveyor support legs for machine transport

Machine and levelling control

- Data interface with data transmission in accordance with WIFMS
- LEVEL PRO automatic levelling system with hydraulic milling depth sensors at the side plates, left and right
- Up to two additional LEVEL PRO control panels
- Detection of actual milling depth via sensor package and readout on LEVEL PRO and machine screen
- RAPID SLOPE cross slope sensor
- Hydraulic cylinder sensor to scan the milling depth in front of the milling drum, right
- Hydraulic cylinder sensor to scan the milling depth in front of the milling drum, left and right
- Laser sensor with laterally movable hydraulic levelling arm including laser transmitter and laser receiver
- Sonic ski sensor for scanning a stringline
- Multiplex sensors with two additional ultrasonic sensors including bracket and cable in 3-fold Multiplex system package, right
- Multiplex sensors with two additional ultrasonic sensors including bracket and cable in 3-fold Multiplex system package, left and right
- Pre-installation of laser sensor including laser signal receiver but excluding laser signal transmitter
- Pre-installation for 3D GPS levelling including receiver mast

Operator's platform

- Operator's platform with individually adjustable, comfortable driver's seats, left and right
- Operator's cabin as part of the "Operator Comfort System"
- Hot-air blower heating in the footwell area of the operator's platform, left and right
- Complete set of fold-in mirrors, partly electric, with stop-and-go indicator
- Hydraulically retracting protective canopy

Miscellaneous

- Screen system including display
- Hydraulically operated electrical generator with a capacity of 4 kW at 220 volts
- Hydraulically operated electrical generator with a capacity of 4 kW at 110 volts
- Lighting balloon, 2 kW operated at 220 volts
- Lighting balloon, 2 kW operated at 110 volts
- Electrically operated diesel tank filling pump
- Hydraulically operated water tank filling pump
- Optional lighting package with 5 halogen and 6 Xenon working lights
- Bolt-on supplementary weight 3,748 lbs (1,700 kg)
- Large storage compartment in lieu of standard storage compartment at the rear of the machine
- Hydraulically operated high-pressure water cleaner, 150 bar, 4 gal/min (15 l/min)



WIRTGEN AMERICA

Wirtgen America Inc.
6030 Dana Way · Nashville, TN 37013, USA
Phone: (615) 501-0600 · Fax: (615) 501-0691
Internet: www.wirtgenamerica.com

SPECIFICATIONS

HL960

Tier 4 Final Engine



*Photos may include optional equipment.

Net Power

222 HP (166kW) / 2,200 rpm

Operating Weight

18,800 kg / 41,450 lbs

Standard Bucket

3.3m³ / 4.3yd³

SPECIFICATIONS HL960

ENGINE	
Maker/Model	CUMMINS / QSB6.7
Type	Watercooled, 4-cycle, turbocharged charge aircooled, direct injection, electronically controlled diesel engine
Gross power	225 HP (168 kW) / 2,200rpm
Net power	222 HP (166 kW) / 2,200rpm
Maximum torque	106 kg.m (770lb-ft) / 1,500rpm
No. of cylinders	6
Bore x Stroke	107 mm (4.21") x 124mm (4.88")
Displacement	6.7l (408 cu in)
Compression ratio	17.3 : 1
Air cleaner	Dry, Two stage dual elements
Alternator	Denso (24V, 95 Amp)
Battery	2 x 12V, 900 CCA
Starting motor	24V - 7.8 kW

TRANSMISSION	
Torque converter type	3-Elements, Single-stage, Single phase

* Fully automatic power shift, countershaft type with soft-shift in range and direction.

Travel speed, km/h (mph)	4 speed T/M		5 speed T/M with lock up clutch	
	1st	2nd	3rd	4th
Forward	6.4 (4.0)	12.1 (7.5)	18.1 (11.2)	28.2 (17.5)
	2nd	12.1 (7.5)	18.1 (11.2)	28.2 (17.5)
	3rd	18.1 (11.2)	28.2 (17.5)	40.0 (24.9)
	4th	24.3 (15.1)	39.5 (24.5)	40.0 (24.9)
Reverse	6.7 (4.2)	12.7 (7.9)	12.4 (7.7)	29.4 (18.5)
	2nd	12.7 (7.9)	12.4 (7.7)	29.4 (18.5)
	3rd	18.1 (11.2)	29.4 (18.5)	

AXLES	
Drive system	Four-wheel drive system
Mount	Rigid front axle and oscillating rear axle
Rear axle oscillation	Oscillation $\pm 11^\circ$ center pin-loaded
Hub reduction	Planetary reduction at wheel end
Differential	Conventional
Reduction ratio	24.666

CAPACITY				
Description	UNIT	HL960	HL960XT	
Operating weight	kg (lb)	18,800 (41,450)	19,600 (40,560)	
Bucket capacity	Heaped	m ³ (yd ³)	3.3 (4.0)	3.3 (4.0)
	Struck	m ³ (yd ³)	2.9 (3.8)	2.9 (3.8)
Breakout force-bucket		kg (lb)	16,670 (35,160)	16,430 (34,500)
Tipping load	Straight	kg (lb)	14,100 (31,085)	12,700 (27,998)
	Full turn	kg (lb)	12,350 (27,227)	10,900 (24,030)

TIRES	
Type	Tubeless, loader design tires
Standard	23.5 R25, ★, L3
Options include	23.5-25, 20 PR, L3
	23.5-25, 20 PR, L5
	23.5, R25 XHA2
	20.5-25, 16PR, L3

HYDRAULIC SYSTEM	
Type	Load sensing hydraulic system
Pump	Variable displacement piston pump, 246 lpm (65 gpm)
Control valve	2 Spool (Bucket, Boom) 3 Spool (Bucket, Boom, Aux)
System pressure	280 kgf/cm ² (3983 psi)
Lift Circuit	Valve has four functions ; raise, hold, lower and float. Can adjust automatic kickout from horizontal to full lift
Tilt Circuit	Valve has three functions ; tilt back, hold and dump. Can adjust automatic bucket positioner to desired load angle
Cylinder	Type : Double acting
	No. of cylinders-bore x stroke; Lift: 2-140 mm (5.5") x 765 mm (30.1") HL960 Tilt: 1-160 mm (6.3") x 530 mm (20.9") HL960XT Tilt: 1-180 mm (7.1") x 515 mm (20.3")
Cycle Time	Raise: 5.9 sec
	Dump: 1.3 sec
	Lower: 3.1 sec
	Total: 10.3 sec

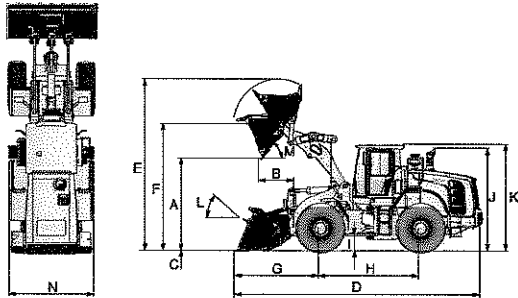
BRAKES	
Service Brakes	Hydraulically actuated, wet disc brakes actuate all 4 wheels. Independent axle-by-axle system. Self adjusting & wheel speed brake
Parking Brake	Spring-applied, hydraulically released brake
Emergency Brake	When brake oil pressure drops, indicator light alerts operator and parking brake automatically applies

STEERING	
Type	Load sensing hydrostatic articulated steering
Pump	Variable displacement piston pump, 120 lpm (32 gpm)
Relief Valve Setting	250 kgf/cm ² (3556 psi)
Cylinder	Double acting 2-75 mm (2.9") x 424 mm (16.7")
Steering Angle	40° both right and left angle, respectively
Additional Features	Center-point frame articulation Tilt and telescopic steering column

SERVICE FLUID CAPACITIES	
Fuel tank	300 liters (79.3 Gal)
DEF tank	27 liters (7.1 Gal)
Cooling system	42 liters (11.1 Gal)
Crankcase	18 liters (4.8 Gal)
Transmission	33 liters (8.7 Gal)
Front axle	35 liters (9.2 Gal)
Rear axle	35 liters (9.2 Gal)
Hydraulic tank	110 liters (29.1 Gal)
Hydraulic system (including tank)	200 liters (52.8 Gal)

DIMENSIONS

All dimensions are approximate.



Description	UNIT	HL960	HL960XT
Bucket Type	General purpose bolt-on cutting edge		
A. Dumping clearance at max. height and 45° dump angle	mm (ft-in)	2,935 (9' 7.5")	3,365 (11' 0.5")
B. Reach	Full lift	mm (ft-in)	1,295 (4' 3.0")
	7ft height	mm (ft-in)	1,825 (5' 11.9")
C. Digging depth	mm (in)	90 (3.5")	145 (5.7")
D. Overall length	on ground	mm (ft-in)	8,140 (26' 8.5")
	at carry	mm (ft-in)	8,030 (26' 4.1")

Description	UNIT	HL960	HL960XT
E. Overall height (fully raised)	mm (ft-in)	5,640 (18' 6.0")	6,070 (19' 11.0")
F. Bucket pivot height (max)	mm (ft-in)	4,105 (13' 5.6")	4,535 (14' 10.5")
G. Front overhang	mm (ft-in)	2,810 (9' 2.6")	3,275 (10' 8.9")
H. Wheelbase	mm (ft-in)	3,300 (10' 9.9")	3,300 (10' 9.9")
I. Ground clearance	mm (ft-in)	410 (1' 4.1")	410 (1' 4.1")
J. Height over exhaust	mm (ft-in)	3,360 (11' 0.3")	3,360 (11' 0.3")
K. Height over cab	mm (ft-in)	3,450 (11' 3.8")	3,450 (11' 3.8")
L. Roll-back angle	on ground	deg	42
	at carry	deg	47
M. Dump angle	deg	50	50
Clearance circle (Tread)	mm (ft-in)	11,225 (36' 9.9")	11,225 (36' 9.9")
N. Overall width	with bucket	mm (ft-in)	2,900 (9' 6.2")
	without bucket	mm (ft-in)	2,770 (9' 1.1")
	with bucket	mm (ft-in)	2,900 (9' 6.2")
	without bucket	mm (ft-in)	2,770 (9' 1.1")

MATERIAL DENSITY OF OPERATING MATERIALS

Material	Material Density
Loose Material	
Earth/Clay	1.5~1.7 tons / m ³ (2528~2865 lbs / yd ³)
Sand and Gravel	1.5~1.7 tons / m ³ (2528~2865 lbs / yd ³)
Aggregate	25~76mm (1" to 3 in)
	19mm (3/4 in) and larger

MATERIAL DENSITY OF OPERATING MATERIALS

Lift arm	Bucket	Type	Struck (100%)	Heaped (115%)
Standard lift arm	General Purpose	Cutting edge	3.4 m ³ (4.4 yd ³)	3.9 m ³ (5.1 yd ³)
		Cutting edge	3.3 m ³ (4.3 yd ³)	3.8 m ³ (5.0 yd ³)
		1-Bolt on tooth	3.2 m ³ (4.2 yd ³)	3.7 m ³ (4.8 yd ³)
		2-Bolt on tooth	3.2 m ³ (4.2 yd ³)	3.7 m ³ (4.8 yd ³)
		1-Bolt on tooth	3.1 m ³ (4.0 yd ³)	3.6 m ³ (4.7 yd ³)
		2-Bolt on tooth	3.1 m ³ (4.0 yd ³)	3.6 m ³ (4.7 yd ³)
		1-Bolt on tooth & segment edge	3.3 m ³ (4.3 yd ³)	3.8 m ³ (5.0 yd ³)
		2-Bolt on tooth & segment edge	3.3 m ³ (4.3 yd ³)	3.8 m ³ (5.0 yd ³)
		Cutting edge	3.4 m ³ (4.4 yd ³)	3.9 m ³ (5.1 yd ³)
		Cutting edge	3.3 m ³ (4.3 yd ³)	3.8 m ³ (5.0 yd ³)
High lift arm (XTD)	General Purpose	1-Bolt on tooth	3.2 m ³ (4.2 yd ³)	3.7 m ³ (4.8 yd ³)
		2-Bolt on tooth	3.2 m ³ (4.2 yd ³)	3.7 m ³ (4.8 yd ³)
		1-Bolt on tooth	3.1 m ³ (4.0 yd ³)	3.6 m ³ (4.7 yd ³)
		2-Bolt on tooth	3.1 m ³ (4.0 yd ³)	3.6 m ³ (4.7 yd ³)
		1-Bolt on tooth & segment edge	3.3 m ³ (4.3 yd ³)	3.8 m ³ (5.0 yd ³)
		2-Bolt on tooth & segment edge	3.3 m ³ (4.3 yd ³)	3.8 m ³ (5.0 yd ³)

CAB & INTERIOR	STD	OPT
Alternator, 95 Amp	●	
Alarms, audible and visual		
Air filter clogging	●	
Transmission error	●	
Battery voltage	●	
Brake oil pressure	●	
Engine oil pressure	●	
Parking brake	●	
Fuel level	●	
Hydraulic oil temperature	●	
Coolant temperature	●	
Transmission oil temperature	●	
Service brake oil pressure	●	
Coolant level water in fuel	●	
Alarm, back-up	●	
Batteries, PT		
900 CCA, 12V, (2)	●	
Gauges		
Engine coolant temperature	●	
Fuel level	●	
Speedometer	●	
Transmission oil temperature	●	
Horn, electric	●	
Indicator lights		
T/C lock up	●	
High beam	●	
Turn signal	●	
FNR joystick steering		●
Pilot cut off	●	
LCD Display		
Clock and fault code	●	
Operating hour counter	●	
Engine rpm	●	
Transmission gear range	●	
Indicator	●	
Job time and distance	●	
Temperature (coolant, hydraulic oil, 1/m oil)	●	
Lighting system		
LED dome light	●	
2 stop and tail lights	●	
4 turn signals	●	
Brake lights (counterweight)	●	
2 head lights on front tower	●	
2 working lights on front roof	●	
4 working lights on front roof,		●
2 working lights on rear roof		●
4 working lights (2xenon) on front roof,		●
2 working lights on rear roof		●
4 working lights (LED) on front roof,		●
2 working lights (LED) on rear roof		●
2 working lights on grill	●	
Switches		
Hazard	●	
Ignition	●	
Parking	●	
Battery master switch	●	
FNR	●	
Diff. lock		●
SCR cleaning / inhibit	●	
Secondary steering test		●
Pilot cut off	●	
Membrane switches in monitor		
Main light	●	
Work light	●	
Auto grease		●
Quick coupler		●
Ride control	●	
Work load	●	
Beacon lamp		●
Rear wiper	●	
Mirror heat	●	
Auto position	●	
Fine modulation		●

CAB & INTERIOR	STD	OPT
Cab (sound suppressed and pressurized) with		
Cigar lighter & ashtray	●	
Coat hook	●	
Automatic climate control		
Air conditioner & heater	●	
Defroster	●	
Intermittent wiper and washer, front and rear	●	
Seat		
2" retractable seat belt & adjustable		●
2" static seat belt & adjustable mechanical suspension (heated)		●
3" static seat belt & adjustable mechanical suspension		●
2" retractable seat belt & adjustable air suspension (heated)	●	
Personal storage space		
Console box	●	
Holder, can and cup	●	
Rear view mirrors (1 inside)	●	
Rear view mirrors (2 outside)	●	
Rear View Mirrors (2 outside, Heated)	●	
Steering column, tilt and telescopic	●	
Steering wheel with knob	●	
Roller type sunshade (front window)	●	
Roller type sunshade (rear window)		●
Tinted safety glass	●	
One door cab	●	
Magazine pocket	●	
Pedals		
One accelerator pedal	●	
One brake pedal	●	
Dual-Brake pedal		●
Radio / USB player	●	
Bluetooth	●	
Miracast	●	
Rubber floor mat	●	
Wrist rest	●	
24-volt to 12-volt DC converter (20A)	●	

ENGINE	STD	OPT
Antifreeze	●	
Engine, Cummins QSB6.7		
Tier 4 Final / Stage 4	●	
Engine enclosure, lockable	●	
Engine fuel priming pump	●	
Fan guard	●	
Reversible Cooling Fan	●	
Fuel/water separator	●	
Clean emission module		
DOC and SCR	●	
Rain cap, engine air intake	●	
Radiator	●	
Starting aid (air intake heater)	●	
Fuel heater	●	
Coolant level sight gauge	●	
Engine oil level dipstick gauge	●	
Fuel heater (Dual)		●
Air cleaner with auto dust eject	●	

POWER TRAIN	STD	OPT
Brakes : Service, enclosed wet-disc	●	
Parking brake	●	
Torque converter	●	
Transmission F4 / R3, computer controlled, electronic soft shift, auto-shift and kick-down features included	●	
Transmission F5 / R3 with lock-up clutch		●
Transmission oil sight level	●	
Limited slip differential (front, rear)	●	
Transmission oil cooler	●	
Transmission oil cooler with thermostat	●	
Hyd. lock differential (front)		●
Front axle cooling system		●

POWER TRAIN	STD	OPT
Tires		
23.5 R25, L3	●	
23.5 - 25, 20PR, L3		●
23.5 - 25, 20PR, L5		●
23.5 R25, XHA2		●
20.5-25, 16PR, L3		●
Travel speed limiter (20-40 km/h)	●	

HYDRAULIC SYSTEM	STD	OPT
Boom Kickout, automatic	●	
Bucket positioner, automatic	●	
Diagnostic pressure taps	●	
Hydraulic oil cooler	●	
Hydraulic control, 2 spool	●	
Hydraulic control, 3 spool	●	
Joystick Control (EH control)	●	
Lever control-single axis (EH control)		●
Joystick Steering		●
Ride control system	●	
Secondary steering system		●
Extra piping-for auxiliary function		●
Quick coupler piping		●
Auto grease system		●

SAFETY	STD	OPT
Articulation locking bar	●	
Counterweight	●	
Additional Counterweight		●
Door and cab locks, one key	●	
Doors, service access (locking)	●	
Drawbar with pin	●	
Ergonomically located and slip resistant, left & right	●	
Handrails	●	
Ladders	●	
Platforms	●	
Steps	●	
Fenders (front / rear)	●	
Hydraulic oil level sight gauge	●	
Lift and tie-down hooks	●	
Loader linkage, sealed	●	
Z-bar design	●	
Vandalism protection caplocks	●	
Tool kit		●
Tooth, 1 piece, bolt-on type		●
Tooth, 2 pieces, bolt-on type		●
Cutting edge, bolt-on type		●
Pallet forks		●
Guards		
Crankcase		●
Transmission		●
Mud guards		●
Wheel chock		●
License plate & lamp		●
Hi-Mate (Remote Management System)		
Mobile	●	
Satellite		●
Rearview camera	●	

SAFETY	STD	OPT
Beacon light, rotating		●
Fire extinguisher		●
Operator suit		●

* Standard and optional equipment may vary. Contact your Hyundai dealer for more information. The machine may vary according to International standards.
 * The photos may include attachments and optional equipment that are not available in your area.
 * Materials and specifications are subject to change without advance notice.
 * All imperial measurements rounded off to the nearest pound or inch.



6100 ATLANTIC BOULEVARD NORCROSS GA 30071 U.S.A
 TEL: (1) 678-823-7802 FAX: (1) 678-823-7778

PLEASE CONTACT

