

CITY OF SAN ANTONIO
PURCHASING AND GENERAL SERVICES DEPARTMENT

FORMAL INVITATION FOR BID ("IFB") NO.: 6100006833

LANDSCAPING EQUIPMENT

Date Issued: NOVEMBER 06, 2015

BIDS MUST BE RECEIVED NO LATER THAN:
2:00 P.M.CT, NOVEMBER 30, 2015

ORIGINAL

Bids may be submitted by any of the following means:
Electronic submission through the Portal
Hard copy in person or by mail

Address for hard copy responses:

Physical Address:
City Clerk's Office
100 Military Plaza
2nd Floor, City Hall
San Antonio, Texas 78205

Mailing Address:
City Clerk's Office
P.O. Box 839966
San Antonio, Texas 78283-3966

For Hard Copy Submissions, Mark Envelope
"LANDSCAPING EQUIPMENT"

Bid Due Date: 2:00 p.m., CT, NOVEMBER 30, 2015

Bid No.: 6100006833

Bidder's Name and Address

Bid Bond: N/A Performance Bond: N/A Payment Bond: N/A Other:

See Supplemental Terms & Conditions for information on these requirements.

Affirmative Procurement Initiative: DBE / ACDBE Requirements:

See Instructions for Bidders and Attachments sections for more information on these requirements.

Pre-Submittal Conference * YES

* If YES, the Pre-Submittal conference will be held on **NOVEMBER 13, 2015** at 10:00 A.M.CT, located at the FLEET TRAINING ROOM, 329 S. FRIO St., SAN ANTONIO, TX.

Staff Contact Person: DEBRA STEVENS, PROCUREMENT SPECIALIST III, P.O. Box 839966, San Antonio, TX 78283-3966.

Email: DEBRA.STEVENS@SANANTONIO.GOV

SBEDA Contact Information: 210-207-3900

ORIGINAL

002 - TABLE OF CONTENTS

002 - TABLE OF CONTENTS.....	2
003 - INSTRUCTIONS FOR BIDDERS	3
004 - SPECIFICATIONS / SCOPE OF SERVICES	9
005 - SUPPLEMENTAL TERMS & CONDITIONS	15
006 - GENERAL TERMS & CONDITIONS	18
007 - SIGNATURE PAGE.....	23
008 - STANDARD DEFINITIONS	24
009 - ATTACHMENTS.....	26

003 - INSTRUCTIONS FOR BIDDERS

Submission of Bids.

Submission of Hard Copy Bids. Submit one original bid, signed in ink, and two copies of the bid enclosed in a sealed envelope addressed to the City Clerk at the address and by the due date provided on the Cover Page. The name and address of Bidder, the date and hour of the bid opening, bid number and title of the bid solicitation shall be marked on the outside of the envelope(s). All times stated herein are Central Time. Any bid or modification received after the time and date stated on the Cover Page shall be rejected.

Submission of Electronic Bids. Submit one bid electronically by the due date provided on the Cover Page. All times stated herein are Central Time. Any bid or modification received after the time and date stated on the Cover Page shall be rejected. All forms in this solicitation which require a signature must have a signature affixed thereto, either by manually signing the document, prior to scanning it and uploading it with your submission, or affixing it electronically.

Bids sent to City by facsimile or email shall be rejected.

Modified Bids. Bids may be modified provided such modifications are received prior to the time and date set for submission of bids, and submitted in the same manner as original bids. For hard copy bids, provide a cover letter with the bid, indicating it is a modified bid and that the Original bid is being withdrawn. For electronic bids, a modified bid will automatically replace a prior bid submission. See below for information on submitting Alternate Bids.

City shall not be responsible for lost or misdirected bids or modifications.

Bidders must sign the Signature Page on hard copy bids and return the IFB document to City. For electronic bids, Bidder's electronic submission, with accompanying affirmations, constitutes a binding signature for all purposes.

Bidders are cautioned that they are responsible for the security of their log on ID and password, since unauthorized use could result in Bidder's being held liable for the submission.

Certified Vendor Registration Form. If Bidder has not completed City's Certified Vendor Registration (CVR) Form, Bidder is required to do so prior to the due date for submission of bids. The CVR form may be accessed at: <http://www.sanantonio.gov/purchasing/>. Bidders must identify the correct name of the entity that will be providing the goods and/or services under the contract. No nicknames, abbreviations (unless part of the legal title), shortened or short-hand names will be accepted in place of the full, true and correct legal name of the entity.

Alternate Bids. Alternate bids may be allowed at the sole discretion of City.

Hard Copy Alternate Bids. Alternate bids must be submitted in separate sealed envelopes in the same manner as submission of other bids. Alternate bids must be marked consecutively on the envelope as Alternate Bid No. 1, 2, etc. Failure to submit alternate bids in separate envelopes may result in rejection of a bid.

Electronic Alternate Bids Submitted Through the Portal. All alternate bids are recorded with original bids when submitted electronically.

Catalog Pricing. (This section applies to bids using catalog pricing.)

The bid will be based on manufacturer's latest dated price list(s). Said price list(s) must denote the manufacturer, latest effective date and price schedule.

Bidders shall be responsible for providing one copy of the manufacturer's catalog for each manufacturer for which a bid is submitted. Bidder shall provide said catalog at the time of submission of its bid. Manufacturers' catalogs may be submitted in any of the following formats: paper copy or CD ROM for bids submitted on paper, or PDF file for bids submitted electronically.

Bidders may submit price lists other than the manufacturer's price list. Said price list(s) must denote the company name, effective date and price schedule. These price lists are subject to approval of City Purchasing & General Services Department.

Specified items identified herein, if any, are for overall bid evaluation and represent the commonly and most used items. Net prices entered for those specified items must reflect the actual price derived from quoted price list less all discounts offered.

Restrictions on Communication.

Bidders are prohibited from communicating with: 1) elected City officials and their staff regarding the IFB or bids from the time the IFB has been released until the contract is posted as a City Council agenda item; and 2) City employees from the time the IFB has been released until the contract is awarded. These restrictions extend to "thank you" letters, phone calls, emails and any contact that results in the direct or indirect discussion of the IFB and/or bid submitted by Bidder. Violation of this provision by Bidder and/or its agent may lead to disqualification of Bidder's bid from consideration.

Exceptions to the restrictions on communication with City employees include:

Bidders may ask verbal questions concerning this IFB at the Pre-Submittal Conference.

Bidders may submit written questions, or objections to specifications, concerning this IFB to the Staff Contact Person listed on the Cover Page on or before 7 calendar days prior to the date bids are due. Questions received after the stated deadline will not be answered. Questions submitted and City's responses will be posted with this solicitation. All questions shall be sent by e-mail or through the portal.

Bidders may provide responses to questions asked of them by the Staff Contact Person after bids are received and opened. The Staff Contact Person may request clarification to assist in evaluating Bidder's response. The information provided is not intended to change the bid response in any fashion. Such additional information must be provided within two business days from City's request.

Bidders and/or their agents are encouraged to contact the Small Business Office of the International and Economic Development Department for assistance or clarification with issues specifically related to the City's Small Business Economic Development Advocacy (SBEDA) Program policy and/or completion of the SBEDA form(s), if any. The point of contact is identified on the Cover Page. Contacting the Small Business Office regarding this IFB after the bid due date is not permitted. If this solicitation contains Affirmative Procurement Initiatives, it will be noted on the Cover Page.

If this solicitation contains DBE/ACDBE requirements, bidders and/or their agents may contact the Aviation Department's DBE/ACDBE Liaison Officer for assistance or clarification with issues specifically related to the DBE/ACDBE policy and/or completion of the required form(s). Point of contact is Ms. Lisa Brice, who may be reached via telephone at (210) 207-3505 or through e-mail at lisa.brice@sanantonio.gov. Bidders and/or their agents may contact Ms. Brice at any time prior to the due date for submission of bids. Contacting her or her office regarding this IFB after the bid due date is not permitted. If this solicitation contains DBE/ACDBE requirements, it will be noted on the Cover Page.

Pre-Submittal Conference.

If a Pre-Submittal Conference is scheduled, it will be held at the time and place noted on the Cover Page. Bidders are encouraged to prepare and submit their questions in writing in advance of the Pre-Submittal Conference in order to expedite the proceedings. City's responses to questions received prior to the conference may be distributed at the Pre-Submittal Conference and posted with this solicitation. Attendance at the Pre-Submittal Conference is optional, but highly encouraged.

This meeting place is accessible to disabled persons. Call the Staff Contact Person for information on the location of the wheelchair accessible entrance, or to request an interpreter for the deaf. Interpreters for the deaf must be requested at least 48 hours prior to the meeting. For other assistance, call (210) 207-7245 Voice/TTY.

Any oral response given at the Pre-Submittal Conference that is not confirmed in writing and posted with this solicitation shall not be official or binding on the City.

Changes to IFB.

Changes to this IFB made prior to bid opening shall be made directly to the original IFB. Changes are captured by creating a replacement version each time the IFB is changed. It is Bidder's responsibility to check for new versions

until the bid due date. City will assume that all bids received are based on the final version of the IFB as it exists on the day bids are due.

No oral statement of any person shall modify or otherwise change or affect the terms, conditions or specifications stated in the IFB.

Preparation of Bids.

All information required by the IFB must be furnished or the bid may be deemed non-responsive and rejected. Any ambiguity in the bid as a result of omission, error, unintelligible or illegible wording shall be construed in the favor of City.

Correct Legal Name. If Bidder is found to have incorrectly or incompletely stated the name of the entity that will provide goods and/or services, the bid may be rejected.

Line Item Bids. Any bid that is considered for award by each unit or line item, must include a price for each unit or line item for which Bidder wishes to be considered. All bids are awarded on the basis of low line item, low total line items, or in any other combination that serves the best interest of City, unless City designates this solicitation as an "all or none" bid in the Supplemental Terms & Conditions.

All or None Bids. Any bid that is considered for award on an "all or none" basis must include a price for all units or line items. In an "All or None" bid, a unit price left blank shall result in the bid being deemed nonresponsive and disqualified from consideration. An "All or None" bid is one in which City will award the entire contract to one bidder only.

Delivery Dates. Proposed delivery dates must be shown in the bid form where required and shall include weekends and holidays, unless specified otherwise in this IFB. Proposed delivery times must be specific. Phrases such as "as required", "as soon as possible" or "prompt" may result in disqualification of the bid. Special delivery instructions, if any, may be found in the Specifications / Scope of Services section of this document, or in the Purchase Order.

Tax Exemption. The City of San Antonio is exempt from payment of federal taxes, and State of Texas limited sales excise and use taxes. Bidders must not include such taxes in bid prices. An exemption certificate will be signed by City where applicable upon request by Bidder after contract award.

Description of Supplies.

Any brand names, catalog or manufacturer's reference used in describing an item is merely descriptive, and not restrictive, unless otherwise noted, and is used only to indicate quality and capability desired.

Bids submitted for comparable items must clearly identify the proposed product, model, and type, as applicable, and shall include manufacturer specification sheet(s) for each proposed item with bid response. Product specifications shall be the most current available and be sufficiently detailed and descriptive so as to permit City to determine the item's suitability and compliance with bid specifications. City shall be the sole judge of equality and suitability of comparable items.

Pro-rata adjustments to packaging and pricing may be allowed at the sole discretion of City.

Samples, Demonstrations and Pre-award Testing. If requested by City, Bidder shall provide product samples, demonstrations, and/or testing of items bid to ensure compliance with specifications prior to award of the contract. Samples, demonstrations and/or testing must be provided within 7 calendar days of City's request. Failure to comply with City's request may result in rejection of a bid. All samples (including return thereof), demonstrations, and/or testing shall be at Bidder's expense. Samples will be returned upon written request. Requests for return of samples must be made in writing at the time the samples are provided. Otherwise, samples will become property of City at no cost to City. Samples that are consumed or destroyed during demonstrations or testing will not be returned.

Estimated Quantities for Annual Contracts.

Designation as an "annual" contract is found in the contract's title on the Cover Page of this document. The quantities stated are estimates only and are in no way binding upon City. Estimated quantities are used for the purpose of evaluation. City may increase or decrease quantities as needed. Where a contract is awarded on a unit price basis, payment shall be based on the actual quantities supplied.

Bidders shall thoroughly examine the drawings, specifications, schedule(s), instructions and all other contract documents.

Bidders shall make all investigations necessary to thoroughly inform themselves regarding plant and facilities for delivery of material and equipment, or conditions and sites/locations for providing goods and services as required by this IFB. No plea of ignorance by Bidder will be accepted as a basis for varying the requirements of City or the compensation to Bidder.

Confidential or Proprietary Information. All bids become the property of the City upon receipt and will not be returned. Any information deemed to be confidential by Bidder should be clearly noted; however, City cannot guarantee that it will not be compelled to disclose all or part of any public record under the Texas Public Information Act, since information deemed to be confidential by Bidder may not be considered confidential under Texas law, or pursuant to a Court order. Note that pursuant to state law, bids are opened publicly and read aloud. In addition, bids are tabulated and posted to the City's website, so shall not be considered proprietary or confidential.

Interlocal Participation.

City may engage in cooperative purchasing with other governmental entities or governmental cooperatives ("Entity" or "Entities") to enhance City's purchasing power. At City's sole discretion and option, City may inform other Entities that they may acquire items listed in this IFB. If this contract will be subject to cooperative purchasing, such fact will be indicated in the Supplemental Terms and Conditions portion of this IFB. Such acquisition(s) shall be at the prices stated in the bid, and shall be subject to Bidder's acceptance. Entities desiring to acquire items listed in this IFB shall be listed on a rider attached hereto, if known at the time of issuance of the IFB. City may issue subsequent riders after contract award setting forth additional Entities desiring to utilize this bid.

Bidder must sign and submit the rider, if attached to this IFB, with its bid, indicating whether Bidder wishes to allow other Entities to use its bid. Bidder shall sign and return any subsequently issued riders within ten calendar days of receipt. Bidder's decision on whether to allow other Entities to use the bid shall not be a factor in awarding this IFB.

Costs of Bidding. Bidder shall bear any and all costs that are associated with the preparation of the Bid, attendance at the Pre-Submittal Conference, if any, or during any phase of the selection process.

Rejection of Bids.

City may reject any and all bids, in whole or in part, cancel the IFB and reissue the solicitation. City may reject a bid if:

Bidder misstates or conceals any material fact in the bid; or

The bid does not strictly conform to law or the requirements of the solicitation;

The bid is conditional; or

Any other reason that would lead City to believe that the bid is non-responsive or Bidder is not responsible.

City, in its sole discretion, may also waive any minor informalities or irregularities in any bid, such as failure to submit sufficient bid copies, failure to submit literature or similar attachments, or business affiliation information.

Variations and Exceptions to Bid Terms. In order to comply with State law, bidders must submit bids on the same material terms and conditions. Bids that contain material variances or exceptions to the terms and conditions, including additional terms and conditions, will be rejected.

Changes to Bid Form. Bids must be submitted on the forms furnished. Bids that change the format or content of City's IFB will be rejected.

Withdrawal of Bids. Bids may be withdrawn prior to the time set for the bid opening. Written notice of withdrawal shall be provided to the City Clerk for bids submitted in hard copy. Bids submitted electronically may be withdrawn electronically.

Bid Opening. Bids will be opened publicly and read aloud at 2:30 p.m. CT, on the day the bids are due. Bid openings are held at Purchasing & General Services, Riverview Tower, 11th Floor, 111 Soledad, Suite 1100, San Antonio, Texas 78205.

Evaluation and Award of Contract.

Per Section §252.043 of the Texas Local Government Code, the contract will be awarded to the lowest responsible bidder. The Purchasing Division evaluates bids for responsiveness and the responsibility of the bidder, and makes a recommendation to the City Council. The City Council makes the final determination regarding award.

City reserves the right to make an award on the basis of low line item, low total line items, or in any other combination that serves the best interest of City, unless City designates this solicitation as an "all or none" bid in the Supplemental Terms & Conditions.

A written award of acceptance (manifested by a City Ordinance) and Purchase Order furnished to Bidder results in a binding contract without further action by either party. Vendor must have the Purchase Order before making any delivery.

City reserves the right to utilize historical usage data as a basis for evaluation of bids when future usages are unable to be determined.

Breaking of tie bids shall be in accordance with the Texas Local Government Code §271.901.

City reserves the right to delete items prior to the awarding of the contract, and purchase said items by other means.

Inspection of Facilities/Equipment

Depending on the nature of the IFB, Bidders' facilities and equipment may be a determining factor in making the bid award. All bidders may be subject to inspection of their facilities and equipment.

Prospective bidders must prove beyond any doubt to City Purchasing Administrator that they are qualified and capable of performing the contract's requirements.

Prompt Payment Discount.

Provided Bidder meets the requirements stated herein, City shall take Bidder's offered prompt payment discount into consideration. The evaluation will not be based on the discount percentage alone, but rather the net price as determined by applying the discount to the bid price, either per line item or total bid amount. However, City reserves the right to reject a discount if the percentage is too low to be of value to City, all things considered. City may also reject a discount if the percentage is so high as to create an overly large disparity between the price City would pay if it is able to take advantage of the discount and the price City would pay if it were unable to pay within the discount period. City may always reject the discount and pay within the 30 day period, at City's sole option.

City will not consider discounts that provide fewer than 10 days to pay in order to receive the discount.

For example, payment terms of 2% 5, Net 30 will NOT be considered in bid evaluations or in the payment of invoices. However, payment terms of 2% 10, Net 30 will result in a two percent reduction in the bid price during bid evaluation, and City will take the 2% discount if the invoice is paid within the 10 day time period.

Tabulations. The Purchasing Division will post preliminary tabulations within 7 days of the advertised bid opening. The information on these tabulations will be posted for informational purposes only, and will be posted as read during the bid opening. This tabulation is not a notice of award of the contract. All bids are subject to review for completeness, accuracy and compliance with the terms set forth in the bid documents.

Bid Protest Procedures.

Any bidder who is adversely affected in connection with the solicitation, evaluation, or proposed award of a contract may file a protest with the Director and appeal any adverse decision to the City Manager of the City of San Antonio.

Bidder must deliver a written notice of protest to the Director within 7 calendar days of the posting of the intent to award. If Bidder does not file a written notice within this time, Bidder will have waived all rights to formally protest the intent to award. It is Bidder's responsibility to check the City's website posting.

Debriefing. Debriefing of contract award is available upon request and after award of the Contract.

Prohibited Financial Interest. The Charter of the City of San Antonio and its Ethics Code prohibit a City officer or employee, as those terms are defined in the Ethics Code, from having a financial interest in any contract with City or any City agency such as City-owned utilities. An officer or employee has a "prohibited financial interest" in a contract with City or in the sale to City of land materials, supplies or service, if any of the following individual(s) or entities is a party to the contract or sale: the City officer or employee; his parent, child or spouse; a business entity in which he or his parent, child or spouse owns ten (10) percent or more of the voting stock or shares of the business entity, or ten (10) percent or more of the fair market value of the business entity; or a business entity in which any individual or entity above listed is a subcontractor on a City contract, a partner or a parent or subsidiary business entity.

Conflict of Interest. Effective January 1, 2006, Chapter 176 of the Texas Local Government Code requires that persons, or their agents, who seek to contract for the sale or purchase of property, goods, or services with the City, shall file a completed conflict of interest questionnaire with the City Clerk not later than the 7th business day after the date that the person: (1) begins contract discussions or negotiations with the City; or (2) submits to the City an application, response to a request for proposals or bids, correspondence, or another writing related to a potential agreement with the City. The conflict of interest questionnaire form is available from the Texas Ethics Commission at www.ethics.state.tx.us. Completed conflict of interest questionnaires may be mailed or delivered by hand to the Office of the City Clerk. If mailing a completed conflict of interest questionnaire, mail to: Office of the City Clerk, P.O. Box 839966, San Antonio, TX 78283-3966. If delivering a completed conflict of interest questionnaire, deliver to: Office of the City Clerk, City Hall, 2nd floor, 100 Military Plaza, San Antonio, TX 78205." Bidder should consult its own legal advisor with questions regarding the statute or form. Do not include this form with your sealed bid. The Purchasing Division will not deliver the form to the City Clerk for you.

State of Texas Conflict of Interest Questionnaire (Form CIQ). Chapter 176 of the Texas Local Government Code requires that persons, or their agents, who seek to contract for the sale or purchase of property, goods, or services with the City, shall file a completed Form CIQ with the City Clerk if those persons meet the requirements under 176.006(a) of the statute.

By law this questionnaire must be filed with the City Clerk not later than the 7th business day after the date the vendor becomes aware of facts that require the statement to be filed. See Section 176.006(a-1), Texas Local Government Code.

Form CIQ is available from the Texas Ethics Commission by accessing the following web address:

https://www.ethics.state.tx.us/filinginfo/conflict_forms.htm

In addition, please complete the **City's Addendum to Form CIQ (Form CIQ-A)** and submit it with Form CIQ to the Office of the City Clerk. The Form CIQ-A can be found at:

<http://www.sanantonio.gov/atty/ethics/pdf/OCC-CIQ-Addendum.pdf>

When completed, the CIQ Form and the CIQ-A Form should be submitted together, either by mail or hand delivery, to the Office of the City Clerk. If mailing, mail to:

Office of the City Clerk, P.O. Box 839966, San Antonio, TX 78283-3966.

If delivering by hand, deliver to:

Office of the City Clerk, City Hall, 2nd floor, 100 Military Plaza, San Antonio, TX 78205.

Do not include these forms with your sealed bid. The Purchasing Division will not deliver the forms to the City Clerk for you.

004 - SPECIFICATIONS / SCOPE OF SERVICES

- 4.1 **SCOPE:** The City of San Antonio is soliciting bids for a contract to purchase tractors and mower attachments in accordance with the Building and Equipment Services Department specifications listed herein. The tractors and mower attachments will be utilized by the Transportation and Capital Improvements, Aviation, Parks & Recreation, and Solid Waste Management departments.
- 4.2 **GENERAL CONDITIONS:** The following general conditions will apply to all items within this bid unless specifically excluded within any item. Equipment shall be manufacturer's latest design, standard production model and shall have been manufactured within the last twelve (12) months.
- 4.2.1 All components shall be installed new, unused, and shall be manufacturer's standard equipment unless otherwise specified or replaced herein. Equipment is to be inspected, serviced, and adjusted in accordance with manufacturer's recommended pre-delivery checklist, and ready for operation upon delivery.
- 4.2.2 The Manufacturer's Statement of Origin (MSO) showing manufacture within the last twelve (12) calendar months, and completed pre-delivery checklists will be required at delivery. The Manufacturer's Statement of Origin (MSO), Dealer Temporary license plates/tags, proper Invoice, signed 130U form and State Weight Certificate/slip (for equipment over one ton) are required upon delivery of each unit and are required before payment can be processed. Any of these missing items will delay the payment process. Equipment offered under the below listed specifications will be considered unacceptable if, for any reason, the equipment's, or major component's, long term availability on the U.S. market, or in the local area, is in doubt.
- 4.2.3 **Warranty -** Equipment must include the maximum standard manufacturer's warranty on all components, with parts and service included. All components, parts and service shall include, as a minimum, a one year unlimited hours warranty. All warranty times shall start the date the vehicle is placed in service as determined by the City, not on the delivery date. The dealer will be notified by letter of the in-service date of each vehicle by serial number. Bidder shall fully explain the warranty by attaching separate, authenticated correspondence or entering such information in the remarks section of this bid. Warranty, reliability, and replacement captive parts costs and availability shall be a consideration in award of this bid. Warranty parts and service must be available within 50 mile radius of San Antonio City Hall from and by a factory-authorized dealer (NO EXCEPTIONS). In the event that a unit purchased from a vendor requires transportation outside of the 50 mile radius San Antonio City Hall for a repair covered under warranty, that vendor shall be responsible for paying for all cost associated with the transportation to and from the warranty repair facility. If the vendor chooses to travel to inspect the unit to determine if the repair needed is covered under warranty, all expenses shall be paid for by the vendor. All warranty repairs must be completed within three (3) business days from the date equipment is delivered to the vendor unless otherwise approved by the appropriate City of San Antonio BESD Fleet Operations Manager or designate. Bidders must certify that all repairs needed after the warranty period will be available within 50 mile radius of San Antonio City Hall.
- 4.2.4 **Delivery -** All deliveries are to be made inside the City limits of San Antonio. Delivery to a non-specified location will result in non-acceptance of the equipment by the City. All deliveries must be pre-arranged with a minimum 24-hour notification, **NO EXCEPTIONS**. Equipment with more than 8 hours accumulated on the hour meter or more than 250 miles accumulated on the odometer will not be accepted. All units are required to have a full tank of fuel when delivered to City specified location. The Manufacturer's Statement of Origin (MSO), invoice and weight certification tickets are required upon delivery of each unit and before payment can be processed. Vendor must deliver equipment to:
- City of San Antonio,
Northeast Service Center,
10303 Tool Yard, Bldg #2,
San Antonio, TX 78233
Attn: Acquisitions
- 4.2.5 **Equipment Manuals -** Successful bidder shall furnish one set of operator manuals covering all major components of the vehicle for each unit delivered. The supplier shall furnish (4) complete sets per vehicle type, of the following: Parts Manual, Maintenance Manual, Service Manual, and Operators Manual or CD ROM per model of

all equipment, accessories, and components. The supplier shall furnish (4) complete sets of detailed literature and specifications of each vehicle type upon contract award.

- 4.2.6 Training – The City may require operational and maintenance training for equipment. If so, training shall be provided by a qualified instructor and conducted at a designated City facility. The City will not pay any cost incurred by the successful bidder in providing training. Training shall be provided no later than 30 days after the City takes delivery and accepts the new equipment at the specified City facility. Unless otherwise specified, training shall consist of a minimum (1) eight hour day if required. Payment for new equipment will not be made to successful bidder until training is completed. Operator training shall be coordinated with Fleet Operations staff. For equipment requiring more complex operation the City may require job site operational training that could last multiple days to assure proper machine operation.
- 4.2.7 All prices will be quoted F.O.B., designated City of San Antonio facility. All bids will be submitted in triplicate and will include complete manufacturer's specifications for each model being bid. Any equipment furnished must meet all Federal and State safety requirements and if applicable must be certified as Tier IV interim (i) or later emissions compliant. The engine offered by bidder must meet the Environmental Protection Agency (EPA) emission standards in effect at the time the bid is submitted, without the benefit of averaging, banking, trading, or emission credits. Bidder shall submit a copy of the applicable EPA certificate with its bid. Only engines using selective catalytic reduction (SCR) technology will be accepted. The City reserves the right to reject any and all bids, and to waive irregularities and any requirements of the bid if deemed to be in the best interest of the City.
- 4.2.8 Electrical – Heavy duty battery and alternator offered by manufacturer for models being bid. All units to be equipped with minimum oil pressure, water temperature, and volt or amp gauges. Units shall be equipped with OEM, or equal, warning and shut down systems for low oil pressure and or high coolant temperature at a minimum. City of San Antonio reserves the right to increase or decrease quantity of units being purchased up to the production "cut-off" date submitted on the bid for the particular item, depending on availability of funds. Prices may not be increased during this period; however, the City should benefit from any price decrease. Additional units may be purchased on an "as needed" basis. Successful vendor is required to notify the City of all production "cut-off" dates necessary for order submission. All units to be equipped with safety equipment as required by the Federal Government. All units shall have the maximum capacity cooling system offered by manufacturer. No dealership nameplates, markings or decals will be permitted on the vehicles.
- 4.2.9 **BRAND NAMES:** Manufacturer names, trade names, brand names, and product numbers used herein are for the purpose of describing and establishing tested, compatible, approved and acceptable products that are of the type and quality required by the City. The use of pre-approved brand names are not intended to limit competition; therefore the phrase "or equal" is added. For purposes of this contract, the proposed "or equal" products shall require close adherence to the established standards of performance and quality inherently derived and reasonably expected from the brand named products specified herein. The City shall be the sole judge of equality and suitability.

4.3	ITEM	QUANTITY	DESCRIPTION
	1	8	Ground Mower Attachments

SPECIFICATIONS:

- 4.3.1 **CUTTING WIDTH:** Minimum eighty-four (84") rotary mower, lift type.
- 4.3.2 **WEIGHT:** Minimum 1,100 lbs.
- 4.3.3 **BLADE TIP SPEED:** Minimum of 16,500.
- 4.3.4 **BLADE SIZE:** Minimum ½" X 3.
- 4.3.5 **HITCH:** Category II hitch, heavy-duty flexible top and bottom "A" frame.
- 4.3.6 **DECK:** Galvanized - Two full-length adjustable safety shields with pipe type skid shoes (skid style shoe acceptable), approximately 4" diameter, constructed between 3/16" and ½" steel and shall be turned upward to prevent skid from digging in while mowing. Mower deck minimum between 3/16" and ¼" steel and side skirts

between 3/16" and 1/2" steel. Tail wheel to be a minimum 18" puncture proof tire; dual fork design. Front and rear 4-ply rubber trash deflector. PTO Speed shall be a minimum of 500 RPM.

4.4	ITEM	QUANTITY	DESCRIPTION
	2	1	84" Mower Deck

SPECIFICATIONS:

- 4.4.1 **GENERAL DESCRIPTION:** Unit shall be single spindle designed to cut weeds, grass, and brush up to 4 inches in diameter. Mowing width shall be 84 inches and cutting height shall be adjustable from 2 inches to 12 inches.
- 4.4.2 **GEARBOX:** Shall be right angle sealed gearbox with machine cut gears rated at 125 hp with a minimum 5 year manufacturer's warranty. Input shaft shall be 1 3/4" inch diameter and output shaft shall be 2" inch diameter. A threaded oil level dipstick shall be installed into the gearbox to allow for no tool oil level inspection. The input PTO driveline shall be minimum Cat 5.
- 4.4.3 **BLADES AND CARRIER:** 1.5 X 3.5 inch T- bar blade carrier with round stump jumper and two (2) - 1/2"X4" free swinging blades. The blades shall be retained on the blade carrier by 1.5" diameter pin and have quick change capabilities.
- 4.4.4 **DECK AND FRAME:** Deck plate thickness shall be a minimum 3/16" to 1/4" inch with a minimum 3/4" inch deck plate mount for the gearbox. Deck frame side material shall be a minimum 1/2" inch material thickness, minimum 12" inches in depth and feature two (2) full length removable, adjustable side safety shields with pipe type skid shoes constructed of 1/2" inch thick steel and turned upwards to prevent dig in. Both the front and rear of the deck shall have debris deflecting guard chains.
- 4.4.5 **TAILWHEEL:** The unit shall be equipped with a puncture proof, 360 degree swivel 21" inch tire that is supported by 3"X5"X48" 3/8" inch thickness tubular steel support.
- 4.4.6 **HITCH:** Shall have 3 point, Category II hitch arrangement.

4.5	ITEM	QUANTITY	DESCRIPTION
	3	1	Ground Aerator

SPECIFICATIONS

- 4.5.1 **ENGINE:** Minimum 10 HP @ 3600 RPM
- 4.5.2 **FUEL CAPACITY:** Minimum two (2) gallons.
- 4.5.3 **SPEED:** Minimum 4 mph.
- 4.5.4 **WORKING WIDTH:** Minimum 24 "
- 4.5.5 **WORKING DEPTH:** Up to 3"
- 4.5.6 **HOLES / SQUARE FEET:** Minimum 36
- 4.5.7 **AERATION PATTERN:** Standard Tines: 2 x 2 in (5.1 x 5.1 cm) With Optional Quad Tine Holder: 1 x 1 in. (2.54 x 2.54 cm)
- 4.5.8 **HYDRAULIC LIFT SYSTEM:** Direct-drive; hydraulic gear pump
- 4.5.9 **TIRES:**
 Front- minimum 10x4 4 ply
 Rear- minimum 15 x 6.5 4 ply

4.5.10 **BRAKES:** Automatic disc parking brake

4.5.11 **DIMENSIONS:**

Length- minimum 70" (handle extended)
Width- minimum 48"
Height- minimum 35" (top of steering handle)
Weight- minimum 800 lbs

4.6	ITEM	QUANTITY	DESCRIPTION
	4	7	4x4 Utility Tractors

SPECIFICATIONS:

- 4.6.1 **ENGINE:** Minimum Tier 4i / 4.5L with a PTO to be 85 or greater.
- 4.6.2 **GVWR:** Minimum 9,000 lbs.
- 4.6.3 **HORSEPOWER:** 98 HP or greater.
- 4.6.4 **DRIVETRAIN/TRANSMISSION:** 4x4 drive. Transmission, synchronize shuttle with a minimum of twelve (12) forward and twelve (12) reverse speeds.
- 4.6.5 **FUEL/ CAPACITY:** Diesel, minimum 30 gallons.
- 4.6.7 **ALTERNATOR AMPS:** 80 amps or greater.
- 4.6.8 **HITCH:** Minimum 3-Point, Category II.
- 4.6.9 **TIRES:** Front and rear tires are to be 4x4 design. Heavy duty all terrain design; Nokian or equal.
- 4.6.10 **MIRRORS:** Mirrors must be break-a-way type and to be part standard and part convex.
- 4.6.11 **INSTRUMENTS, GAUGES, AND LIGHTING:** Tachometer, hour meter, fuel gauge, engine coolant temperature gauge, oil pressure warning indicator/gauge, alternator charging indicator/gauge, air cleaner indicator, panorama windshield. Two (2) headlights, tail lights, 4- way flash stop lights, turn signals and license plate bracket with illumination. Two (2) LED in front, facing forward and two (2) LED lights in rear, facing backwards.
- 4.6.12 **EXHAUST:** No greater than 2.5" off the cab roof. Exhaust to be reinforced with plant support.
- 4.6.13 **LIFT CAPACITY:** Minimum 5,700 lift capacity.
- 4.6.14 **ADDITIONAL ITEMS:** Seat belts, slow moving vehicle emblem attached to left rear. ROPS cab with air conditioner (roof mounted not acceptable, all windows to be OEM tinted with safety glass. Windshield wiper/ Washer front only, deluxe suspension seat, locking fuel cap. Additional storage compartments, front & rear roller blind, inner rear view mirror. Minimum of 6 removable 50 lbs front weights to allow safe driving at all speeds; fuel tank (skid plate/guard) protection is required. Safety start type key ignition. Back-up alarm installed. Locking hood and battery disconnect switch installed inside cab.

4.7	ITEM	QUANTITY	DESCRIPTION
	5	5	15' Batwing Mower Deck

SPECIFICATION: The specification is to describe a 15' flexible wing rotary cutter suitable for highway right-of-way, ditch, and roadside vegetation maintenance.

- 4.7.1 **LENGTH:** The unit shall incorporate two 5' wings and a 5' center section
- 4.7.2 **CUTTING WIDTH:** The blades shall cut the full width of the unit, and shall be so designed that no uncut areas will exist between each section. The cutter must be equipped with "quick change" blade pins.

- 4.7.3 **FRAME:** The frame structure shall be on the underside of the deck. The center frame shall incorporate two (2) frame channels of ¼" steel extending from the hitch attachment and front box frame to the box frame on the rear. Each wing section shall also incorporate front and rear box frames. The side frame material shall be ¼" in thickness.
- 4.7.4 **DECK CONSTRUCTION:** Deck shall be no less than 7 gauge steel.
- 4.7.5 **GEARBOXES AND CLUTCHES:** The cutter shall have a transfer gearbox continuous horsepower rating of a minimum of 160 hp. The spindle gearboxes shall have a continuous horsepower rating of a minimum of 120 hp. Each blade spindle shall be equipped with an independent slip clutch in the event that the blades contact an immovable object. A threaded oil level plug or threaded dipstick shall be installed on each gearbox to allow for oil inspection.
- 4.7.6 **DRIVE LINES:** The input drive from the tractor to the center gearbox and the drive from the center gearbox to the wings shall be ASAE Category 5 constant velocity. All drives shall be of North American manufacture.
- 4.7.7 **TIRES & WHEELS:** Each unit shall be equipped with eight (8) solid off road tires, (4) hole split pressed steel rims. Unit will be equipped with a torsion suspension. The center section shall be equipped with two (2) spring loaded wheel arms and dual wheels on each wheel arm. Each wing shall be equipped with dual wheels that shall trail within the cut width.
- 4.7.8 **HITCH:** The hitch shall be an adjustable self-leveling type hitch to allow the pintle-type hitch to remain parallel with the tractor drawbar at all cut heights. Hitch to be a minimum 3-Point Category II.
- 4.7.8 **PARKING JACK:** A retractable pin-on type, hand operated, screw jack shall be provided to assist in the attachment of the cutter to the tractor. The jack shall be perpendicular to the ground at any cut height.

4.8	ITEM	QUANTITY	DESCRIPTION
6		1	Mulcher Attachment for Skid Steer

SPECIFICATIONS:

- 4.8.1 **OVERALL WIDTH:** Minimum 48"
- 4.8.2 **OVERALL HEIGHT:** Minimum 60"
- 4.8.3 **OVERALL LENGTH:** Minimum 48"
- 4.8.4 **CUTTING WIDTH:** Minimum 60"
- 4.8.5 **HEIGHT w/o PUSH OVER BAR:** Minimum 30"
- 4.8.6 **LENGTH w/o PUSH OVER BAR:** Minimum 32"
- 4.8.7 **OPERATING PRESSURE:** Minimum 3000 PSI
- 4.8.8 **HYDRAULIC FLOW:** Minimum 30-45 GPM
- 4.8.9 **HYDRAULIC HORSEPOWER:** Minimum 58HP
- 4.8.10 **NUMBER OF TEETH:** Minimum 40
- 4.8.11 **WEIGHT:** Minimum 2,450 lbs
- 4.8.12 **GAUGE:** Unit to be equipped with on-board pressure gauge easily viewed from operators station to monitor system pressure.

4.9	ITEM	QUANTITY	DESCRIPTION
	7	1	3-Wheeled Infield Maintenance Tractor

SPECIFICATIONS:

- 4.9.1 **ENGINE:** Minimum 2 cylinder with a minimum 12 HP.
- 4.9.2 **ELECTRICAL:** 12-volt system. Battery Voltage is displayed when key switch is moved from off to run (Low Battery LED will illuminate if key voltage is less than 12.3V in run position).
- 4.9.3 **GVWR:** Maximum 985 lbs.
- 4.9.4 **DRIVE:** Belt driven with automatic tensioning system. Maximum speed 15 MPH.
- 4.9.5 **SUSPENSION:** Heaviest duty available to include heavy duty shock absorbers, Independent struts with stabilization.
- 4.9.6 **BRAKES:** Industry standard braking system.
- 4.9.7 **FUEL SYSTEM:** Gasoline or Diesel; minimum 4 gallons.
- 4.9.8 **TIRES & WHEELS:** 3 wheeled- Industry standard tires associated with production of this type of unit.
- 4.9.9 **STEERING:** Power steering, controlled through two independent control sticks.
- 4.9.10 **CONTROL GAUGES:** Industry minimum requirement per production of this type of unit not to exclude ignition, throttle, and/or braking indicators.

005 - SUPPLEMENTAL TERMS & CONDITIONS

Original Contract Term.

This contract shall begin upon the effective date of the ordinance awarding the contract, or date specified in the award letter if this contract does not exceed \$50,000. This contract shall terminate upon completion of all work described herein or delivery of all goods ordered, as applicable.

Liquidated Damages for Delay:

The parties agree that the actual damages that might be sustained by the City by reason of the breach by Vendor of its covenant to make delivery within the time specified herein, is uncertain and would be difficult of ascertainment, and that the sum of \$100.00 per day per unit for each day that delivery is late would be a reasonable compensation for such breach. Vendor hereby promises to pay, and City hereby agrees to accept, such sum as liquidated damages, and not as a penalty, in the event of such breach. Furthermore, the parties agree that City may withhold said liquidated damages from any payments due to Vendor hereunder. If Vendor's delay exceeds 30 days, City may, at its option, elect to terminate this contract in whole or in part. In such event, City may pursue actual damages, rather than applying this liquidated damages provision.

Change Orders.

Notwithstanding anything stated to the contrary in Section 006 – General Terms & Conditions, in order to comply with Texas law governing purchases made by municipalities, the following rules shall govern all change orders made under this contract.

Any change orders that become necessary during the term of this contract as a result of changes in plans, specifications, quantity of work to be performed, materials, equipment or supplies to be furnished must be in writing and conform to the requirements of City Ordinance 2011-12-08-1014, as hereafter amended.

Any other change will require approval of the City Council, City of San Antonio.

Changes that do not involve an increase in contract price may be made by the Director.

No oral statement of any person shall modify or otherwise change, or affect the terms, conditions or specifications stated herein.

Incorporation of Attachments.

Each of the attachments listed below is an essential part of this contract, which governs the rights and duties of the parties, incorporated herein by reference, and shall be interpreted in the order of priority as appears below, with this document taking priority over all attachments:

Attachment A – Price Schedule

Attachment B – Local Preference Program (LPP) Identification Form

Attachment C – Veteran-Owned Small Business (VOSBPP) Program Tracking Form

Insurance.

A) Prior to the commencement of any work under this Agreement, Vendor shall furnish copies of all required endorsements and completed Certificate(s) of Insurance to the City's Finance Department – Purchasing Division, which shall be clearly labeled " **Landscaping Equipment** " in the Description of Operations block of the Certificate. The Certificate(s) shall be completed by an agent and signed by a person authorized by that insurer to bind coverage on its behalf. The City will not accept a Memorandum of Insurance or Binder as proof of insurance. The certificate(s) must be signed by the Authorized Representative of the carrier, and list the agent's signature and phone number. The certificate shall be mailed, with copies of all applicable endorsements, directly from the insurer's authorized representative to the City. The City shall have no duty to pay or perform under this Agreement until such certificate and endorsements have been received and approved by the City's Finance Department – Purchasing Division. No officer or employee, other than the City's Risk Manager, shall have authority to waive this requirement.

B) The City reserves the right to review the insurance requirements of this Article during the effective period of this Agreement and any extension or renewal hereof and to modify insurance coverages and their limits when deemed necessary and prudent by City's Risk Manager based upon changes in statutory law, court decisions, or circumstances surrounding this Agreement. In no instance will City allow modification whereby City may incur increased risk.

C) A Vendor's financial integrity is of interest to the City; therefore, subject to Vendor's right to maintain reasonable deductibles in such amounts as are approved by the City, Vendor shall obtain and maintain in full force and effect for the duration of this Agreement, and any extension hereof, at Vendor's sole expense, insurance coverage written on an occurrence basis, unless otherwise indicated, by companies authorized to do business in the State of Texas and with an A.M Best's rating of no less than A- (VII), in the following types and for an amount not less than the amount listed below:

TYPE	AMOUNTS
1. Commercial General Liability Insurance to include coverage for the following: a. Premises/Operations b. Products/Completed Operations c. Personal/Advertising Injury	For <u>Bodily Injury</u> and <u>Property Damage</u> of \$1,000,000 per occurrence; \$2,000,000 General Aggregate, or its equivalent in Umbrella or Excess Liability Coverage

D) Vendor agrees to require, by written contract, that all subcontractors providing goods or services hereunder obtain the same categories of insurance coverage required of Vendor herein, and provide a certificate of insurance and endorsement that names the Vendor and the CITY as additional insureds. Policy limits of the coverages carried by subcontractors will be determined as a business decision of Vendor. Respondent shall provide the CITY with said certificate and endorsement prior to the commencement of any work by the subcontractor. This provision may be modified by City's Risk Manager, without subsequent City Council approval, when deemed necessary and prudent, based upon changes in statutory law, court decisions, or circumstances surrounding this agreement. Such modification may be enacted by letter signed by City's Risk Manager, which shall become a part of the contract for all purposes.

E) As they apply to the limits required by the City, the City shall be entitled, upon request and without expense, to receive copies of the policies, declaration page, and all required endorsements. Vendor shall be required to comply with any such requests and shall submit requested documents to City at the address provided below within 10 days. Vendor shall pay any costs incurred resulting from provision of said documents.

City of San Antonio
 Attn: Finance Department – Purchasing Division
 P.O. Box 839966
 San Antonio, Texas 78283-3966

F) Vendor agrees that with respect to the above required insurance, all insurance policies are to contain or be endorsed to contain the following provisions:

- Name the City, its officers, officials, employees, volunteers, and elected representatives as additional insureds by endorsement, as respects operations and activities of, or on behalf of, the named insured performed under contract with the City, with the exception of the workers' compensation and professional liability policies;
- Provide for an endorsement that the "other insurance" clause shall not apply to the City of San Antonio where the City is an additional insured shown on the policy;
- Workers' compensation, employers' liability, general liability and automobile liability policies will provide a waiver of subrogation in favor of the City.
- Provide advance written notice directly to City of any suspension or non-renewal in coverage, and not less than ten (10) calendar days advance notice for nonpayment of premium.

G) Within five (5) calendar days of a suspension, cancellation or non-renewal of coverage, Vendor shall provide a replacement Certificate of Insurance and applicable endorsements to City. City shall have the option to suspend Vendor's performance should there be a lapse in coverage at any time during this contract. Failure to provide and to maintain the required insurance shall constitute a material breach of this Agreement.

H) In addition to any other remedies the City may have upon Vendor's failure to provide and maintain any insurance or policy endorsements to the extent and within the time herein required, the City shall have the right to order Vendor to stop work hereunder, and/or withhold any payment(s) which become due to Vendor hereunder until Vendor demonstrates compliance with the requirements hereof.

I) Nothing herein contained shall be construed as limiting in any way the extent to which Vendor may be held responsible for payments of damages to persons or property resulting from Vendor's or its subcontractors' performance of the work covered under this Agreement.

J) It is agreed that Vendor's insurance shall be deemed primary and non-contributory with respect to any insurance or self insurance carried by the City of San Antonio for liability arising out of operations under this Agreement.

K) It is understood and agreed that the insurance required is in addition to and separate from any other obligation contained in this Agreement and that no claim or action by or on behalf of the City shall be limited to insurance coverage provided..

L) Vendor and any Subcontractors are responsible for all damage to their own equipment and/or property.

006 -GENERAL TERMS & CONDITIONS

Electronic Bid Equals Original. If Vendor is submitting an electronic bid, City and Vendor each agree that this transaction may be conducted by electronic means, as authorized by Chapter 322, Texas Business & Commerce Code, known as the Electronic Transactions Act.

Delivery of Goods/Services.

Destination Contract. Vendor shall deliver all goods and materials F.O.B., City of San Antonio's designated facility, inside delivery, freight prepaid, to the address provided in this IFB or, if different, in the Purchase Order. Vendor shall bear the risk of loss until delivery. Freight charges will be paid only when expedited delivery is requested and approved in writing by the City. Vendor shall be responsible for furnishing necessary personnel or equipment and/or making necessary arrangements to off load at City of San Antonio facility, unless otherwise noted herein.

Failure to Deliver. When delivery is not met as provided for in the contract, City may make the purchase on the open market, with any cost in excess of the contract price paid by Vendor, in addition to any other direct, indirect, consequential or incidental damages incurred by City as a result thereof. In addition, Vendor may be removed from the City's list of eligible bidders.

Purchase Orders. Each time a City department wishes to place an order against this contract, it will issue Vendor a purchase order. Vendor must have the purchase order before making any delivery.

Acceptance by City. City shall have a reasonable time (but not less than 30 days) after receipt to inspect the goods and services tendered by Vendor. City at its option may reject all or any portion of such goods or services which do not, in City's sole discretion, comply in every respect with all terms and conditions of the contract. City may elect to reject the entire goods and services tendered even if only a portion thereof is nonconforming. If City elects to accept nonconforming goods and services, City, in addition to its other remedies, shall be entitled to deduct a reasonable amount from the price thereof to compensate City for the nonconformity. Any acceptance by City, even if non-conditional, shall not be deemed a waiver or settlement of any defect in such goods and services.

Testing. After award of contract, City may, at its sole option, test the product delivered to ensure it meets specifications. Initial testing shall be at City's expense. However, if the product does not meet specifications, Vendor shall reimburse City for the costs of testing. City may withhold the cost of testing from any amounts owed to Vendor under this or any other contract, or invoice Vendor for same. If invoiced, Vendor shall pay City within 30 calendar days' of the invoice.

Warranty. A minimum of 90-days product guarantee or the manufacturer's standard commercial warranty, whichever is greater, shall apply to all products and/or services purchased under this IFB, unless otherwise specified in the Specifications/Scope of Services section of this IFB. This warranty shall provide for replacement of defective merchandise, parts, and labor, and shall include pick-up of the defective merchandise from City and delivery of the replacement(s) to the same location. The warranty shall be effective from the date of acceptance of the merchandise, or completion of the service, as applicable.

REJECTION OF DISCLAIMERS OF WARRANTIES & LIMITATIONS OF LIABILITY. ANY TERM OR CONDITION IN ANY DOCUMENT FURNISHED BY VENDOR, DISCLAIMING THE IMPLIED WARRANTY OF MERCHANTABILITY OR OF FITNESS FOR A PARTICULAR PURPOSE, OR ATTEMPTING TO LIMIT VENDOR'S LIABILITY SHALL BE OF NO FORCE OR EFFECT, AND SHALL BE STRICKEN FROM THE CONTRACT DOCUMENTS AS IF NEVER CONTAINED THEREIN.

Invoicing and Payment.

Address for Invoices. All original invoices must be sent to: City of San Antonio, Attn: Accounts Payable, P.O. Box 839976, San Antonio, Texas 78283-3976.

Information Required On Invoice.

All invoices must be in a form and content approved by the City. City may require modification of invoices if necessary in order to satisfy City that all billing is proper and pursuant to the terms of the contract. Invoices are required to show each City Purchase Order Number. Invoices must be legible. Items billed on invoices must be specific as to applicable

stock, manufacturer, catalog or part number (if any). All invoices must show unit prices for each item being billed, the quantity of items being billed and the total for each item, as well as the total for all items on the invoice. If prices are based on list prices basis, then the list prices, the percentage discount or percentage surcharge, net unit prices, extensions and net total prices must be shown. Prompt payment discounts offered shall be shown separately on the invoice.

Payment by City.

In accordance with the Texas Prompt Payment Act, City shall have not less than 30 days to pay for goods or services. Time for payment, including payment under discount terms, will be computed from the later of: (1) the date City receives conforming goods under the contract; (2) the date performance of the service under the contract is completed; or (3) the date City receives a correct and valid invoice for the goods or services. Payment is deemed to be made on the date of mailing of the check. Payment is made in US dollars only.

This provision shall not apply where there is a bona fide dispute between City and Vendor about the goods delivered or the service performed that causes the payment to be late, or where the invoice is not mailed to the address provided herein.

The payment amount due on invoices may not be manually altered by City personnel. Once disputed items are reconciled, Vendor must submit a corrected invoice or a credit memorandum for the disputed amount. City will not make partial payments on an invoice where there is a dispute.

NECESSITY OF TIMELY INVOICE / WAIVER OF PAYMENT. NOTWITHSTANDING THE FORGOING, THE CITY CANNOT PAY FOR ANY GOODS OR SERVICES WITHOUT AN INVOICE. VENDOR MUST INVOICE CITY NO LATER THAN 90 CALENDAR DAYS FROM THE DATE GOODS ARE DELIVERED OR SERVICES RENDERED. FAILURE TO SUBMIT AN INVOICE WITHIN SAID 90 DAYS SHALL NEGATE ANY LIABILITY ON THE PART OF CITY AND CONSTITUTE A WAIVER BY VENDOR OF ANY AND ALL RIGHT OR CLAIMS TO COLLECT MONEYS THAT VENDOR MAY RIGHTFULLY BE OTHERWISE ENTITLED TO FOR GOODS OR SERVICES PERFORMED.

The total price for all goods and/or services is shown on the Price Schedule. No additional fees or expenses of Vendor shall be charged by Vendor nor be payable by City. The parties hereby agree that all compensable expenses of Vendor are shown on the Price Schedule. If there is a discrepancy on the Price Schedule between the unit price for an item, and the extended price, the unit price shall govern.

Termination.

Termination-Breach. Should Vendor fail to fulfill in a timely and proper manner, as determined solely by the Director, its material obligations under this contract, or violate any of the material terms of this contract, City shall have the right to immediately terminate the contract in whole or in part. Notice of termination shall be provided in writing to Vendor, effective upon the date set forth in the notice. City may, in City's sole discretion, provide an opportunity for Vendor to cure the default. If City elects to offer an opportunity to cure, City shall provide notice to Vendor specifying the matters in default and the cure period. If Vendor fails to cure the default within the cure period, City shall have the right, without further notice, to terminate the contract in whole or in part. Such termination shall not relieve Vendor of any liability to the City for damages sustained by virtue of any breach by Vendor.

Termination-Notice. City may terminate this contract, in whole or in part, without cause. City shall be required to give Vendor notice ten days prior to the date of termination of the contract without cause.

Termination-Funding. City retains the right to terminate this contract at the expiration of each of City's budget periods. This contract is conditioned on a best efforts attempt by City to obtain and appropriate funds for payment of any debt due by City herein.

Termination by City may be effected by Director, without further action by the San Antonio City Council.

Independent Contractor. Vendor covenants and agrees that it is an independent contractor and not an officer, agent, servant or employee of City. City shall not be liable for any claims which may be asserted by any third party occurring in connection with the services to be performed by Vendor under this contract and that Vendor has no authority to bind City. The doctrine of respondeat superior shall not apply as between City and Vendor.

INDEMNIFICATION

VENDOR covenants and agrees to FULLY INDEMNIFY, DEFEND and HOLD HARMLESS, CITY and the elected officials, employees, officers, directors, volunteers and representatives of CITY, individually and collectively, from and against any and all costs, claims, liens, damages, losses, expenses, fees, fines, penalties, proceedings, actions, demands, causes of action, liability and suits; of any kind and nature, including but not limited to, personal or bodily injury, death and property damage, made upon CITY directly or indirectly arising out of, resulting from or related to VENDOR'S activities under this Agreement, including any acts or omissions of VENDOR, any agent, officer, director, representative, employee, consultant or subcontractor of VENDOR, and their respective officers, agents employees, directors and representatives while in the exercise of the rights or performance of the duties under this Agreement. The indemnity provided for in this paragraph shall not apply to any liability resulting from the negligence of CITY, its officers or employees, in instances where such negligence causes personal injury, death, or property damage. IN THE EVENT VENDOR AND CITY ARE FOUND JOINTLY LIABLE BY A COURT OF COMPETENT JURISDICTION, LIABILITY SHALL BE APPORTIONED COMPARATIVELY IN ACCORDANCE WITH THE LAWS FOR THE STATE OF TEXAS, WITHOUT, HOWEVER, WAIVING ANY GOVERNMENTAL IMMUNITY AVAILABLE TO THE CITY UNDER TEXAS LAW AND WITHOUT WAIVING ANY DEFENSES OF THE PARTIES UNDER TEXAS LAW. In addition, Vendor agrees to indemnify, defend, and hold the City harmless from any claim involving patent infringement, trademarks, trade secrets, and copyrights on goods supplied.

The provisions of this INDEMNITY are solely for the benefit of the parties hereto and not intended to create or grant any rights, contractual or otherwise, to any other person or entity. VENDOR shall advise CITY in writing within 24 hours of any claim or demand against CITY or VENDOR known to VENDOR related to or arising out of VENDOR's activities under this AGREEMENT and shall see to the investigation and defense of such claim or demand at VENDOR's cost. CITY shall have the right, at its option and at its own expense, to participate in such defense without relieving VENDOR of any of its obligations under this paragraph.

Assignment. Except as otherwise stated herein, Vendor may not sell, assign, pledge, transfer or convey any interest in this contract, nor delegate the performance of any duties hereunder, by transfer, by subcontracting or any other means, without the consent of Director. As a condition of such consent, if such consent is granted, Vendor shall remain liable for completion of the services and provision of goods outlined in this contract in the event of default by the successor Vendor, assignee, transferee or subcontractor. Any attempt to transfer, pledge or otherwise assign this Contract without said written approval, shall be void ab initio and shall confer no rights upon any third person.

Ownership of Documents. Pursuant to Texas Local Government Code Chapter 201, any and all Records produced by Vendor pursuant to the provisions of this contract are the exclusive property of City; and no such Record shall be the subject of any copyright or proprietary claim by Vendor. The term "Record" as used herein shall mean any document, paper, letter, book, map, photograph, sound or video recording, microfilm, magnetic tape, electronic medium, or other information recording medium, regardless of physical form or characteristic. Vendor understands and acknowledges that as the exclusive owner of any and all such Records, City has the right to use all such Records as City desires, without restriction.

Records Retention.

Vendor and its subcontractors, if any, shall properly, accurately and completely maintain all documents, papers, and records, and other evidence pertaining to the services rendered hereunder ("Documents"), and shall make such Documents available to the City at their respective offices, at all reasonable times and as often as City may deem necessary during the contract period, including any extension or renewal hereof, and the record retention period established herein, for purposes of audit, inspection, examination, and making excerpts or copies of same by City and any of its authorized representatives.

Vendor shall retain any and all Documents produced as a result of services provided hereunder for a period of four years ("Retention Period") from the date of termination of the contract. If, at the end of the Retention Period, there is litigation or other questions arising from, involving or concerning these Documents or the services provided hereunder, Vendor shall retain the records until the resolution of such litigation or other such questions. Vendor acknowledges and agrees that City shall have access to any and all such Documents at any and all times, as deemed necessary by City, during said Retention Period. City may, at its election, require Vendor to return the documents to City at Vendor's expense prior to or at the conclusion of the Retention Period. In such event, Vendor may retain a copy of the documents.

Vendor shall notify City, immediately, in the event Vendor receives any requests for information from a third party, which pertain to the Documents referenced herein. Vendor understands and agrees that City will process and handle all such requests.

Severability. If any clause or provision of this contract is held invalid, illegal or unenforceable under present or future federal, state or local laws, including but not limited to the City Charter, City Code, or ordinances of the City of San Antonio, Texas, then and in that event it is the intention of the parties hereto that such invalidity, illegality or unenforceability shall not affect any other clause or provision hereof and that the remainder of this contract shall be construed as if such invalid, illegal or unenforceable clause or provision was never contained herein. It is also the intention of the parties hereto that in lieu of each clause or provision of this contract that is invalid, illegal, or unenforceable, there be added as a part of the contract a clause or provision as similar in terms to such invalid, illegal or unenforceable clause or provision as may be possible, legal, valid and enforceable.

Compliance with Law. Vendor shall provide and perform all services required under this Agreement in compliance with all applicable federal, state and local laws, rules and regulations.

Certifications. Vendor warrants and certifies that Vendor and any other person designated to provide services hereunder has the requisite training, license and/or certification to provide said services, and meets all competence standards promulgated by all other authoritative bodies, as applicable to the services provided herein.

Non-waiver of Performance. Unless otherwise specifically provided for in this Agreement, a waiver by either Party of a breach of any of the terms, conditions, covenants or guarantees of this Agreement shall not be construed or held to be a waiver of any succeeding or preceding breach of the same or any other term, condition, covenant or guarantee herein contained. Further, any failure of either Party to insist in any one or more cases upon the strict performance of any of the covenants of this Agreement, or to exercise any option herein contained, shall in no event be construed as a waiver or relinquishment for the future of such covenant or option. In fact, no waiver, change, modification or discharge by either party hereto of any provision of this Agreement shall be deemed to have been made or shall be effective unless expressed in writing and signed by the party to be charged. No act or omission by a Party shall in any manner impair or prejudice any right, power, privilege, or remedy available to that Party hereunder or by law or in equity, such rights, powers, privileges, or remedies to be always specifically preserved hereby.

Venue. Venue of any court action brought directly or indirectly by reason of this contract shall be in Bexar County, Texas. This contract is made and is to be performed in Bexar County, Texas, and is governed by the laws of the State of Texas.

Non-discrimination. As a condition of entering into this agreement, Vendor represents and warrants that it will comply with City's Commercial Nondiscrimination Policy, as described under Section IILC.1 of the SBEDA Ordinance. As part of such compliance, Vendor shall not discriminate on the basis of race, color, religion, ancestry or national origin, sex, age, marital status, sexual orientation, or on the basis of disability or other unlawful forms of discrimination in the solicitation, selection, hiring or commercial treatment of subcontractors, vendors, suppliers, or commercial customers, nor shall Vendor retaliate against any person for reporting instances of such discrimination. Vendor shall provide equal opportunity for subcontractors, vendors and suppliers to participate in all of its public sector and private sector subcontracting and supply opportunities, provided that nothing contained in this clause shall prohibit or limit otherwise lawful efforts to remedy the effects of marketplace discrimination that have occurred or are occurring in the City's Relevant Marketplace. Vendor understands and agrees that a material violation of this clause shall be considered a material breach of this agreement and may result in termination of this agreement, disqualification of Vendor from participating in City contracts, or other sanctions. This clause is not enforceable by or for the benefit of, and creates no obligation to, any third party. Vendor shall include this nondiscrimination clause in all subcontracts for the performance of this contract. **As a party to this contract, Vendor understands and agrees to comply with the Non-Discrimination Policy of the City of San Antonio contained in Chapter 2, Article X of the City Code and further, shall not discriminate on the basis of race, color, religion, national origin, sex, sexual orientation, gender identity, veteran status, age or disability, unless exempted by state or federal law, or as otherwise established herein.**

Delinquent Taxes. In the event that Vendor is or subsequently becomes delinquent in the payment of taxes owed to the City of San Antonio, the City reserves the right to deduct any delinquent taxes from payments that the City may owe to the delinquent Vendor as a result of this contract.

Binding Contract. This contract shall be binding on and inure to the benefit of the parties hereto and their respective heirs, executors, administrators, legal representatives, and successors and assigns, except as otherwise expressly provided for herein.

Entire Agreement. This contract, including City's final electronically posted online version, together with its authorizing ordinance and its price schedule(s), attachments, purchase orders, and exhibits, if any, constitutes the final and entire agreement between the parties hereto and contains all of the terms and conditions agreed upon. No other agreements, oral or otherwise, regarding the subject matter of this contract shall be deemed to exist or to bind the parties hereto, unless same be in writing, dated subsequent to the date hereof, and be duly executed by the parties, in accordance with the Change Order provision herein. **Parties agree that City's final electronically posted online version of this solicitation contains the agreed upon specifications, scope of services, and terms and conditions of this contract, and shall control in the event of a conflict with any printed version signed and submitted by Vendor.**

007 - SIGNATURE PAGE

By submitting a bid, whether electronically or by paper, Bidder represents that:

(s)he is authorized to bind Bidder to fully comply with the terms and conditions of City's Invitation for Bid for the prices stated therein;

(s)he has read the entire document, including the final version issued by City, and agreed to the terms therein;

Bidder is in good standing with the Texas State Comptroller's Office; and

to the best of his/her knowledge, all information is true and correct.

If submitting your bid by paper, complete the following and sign on the signature line below. Failure to sign and submit this Signature Page will result in rejection of your bid.

Bidder Information
Please Print or Type
Vendor ID No.
Signer's Name
Name of Business
Street Address
City, State, Zip Code
Email Address
Telephone No.
Fax No.
City's Solicitation No.

1047627

Alpha W. Whitley

H&V EQUIPMENT SERVICES INC

2307 SE LOOP 410

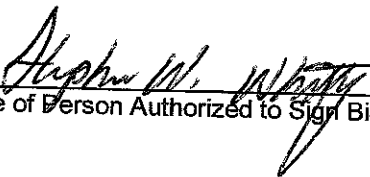
SAN ANTONIO, TX 78222

awhitley@hvequipment.com

210.648-5085

210.648-7611

6100041633



Signature of Person Authorized to Sign Bid

008 - STANDARD DEFINITIONS

Whenever a term defined by the Uniform Commercial Code ("UCC"), as enacted by the State of Texas, is used in the Contract, the UCC definition shall control, unless otherwise defined in the Contract.

All-or-None Bid - an invitation to bid in which the City will award the entire contract to one bidder only.

Alternate Bid - two or more bids with substantive variations in the item or service offered from the same bidder in response to a solicitation.

Assignment - a transfer of claims, rights or interests in goods, services or property.

Bid - a complete, signed response to a solicitation. The term "bid" is synonymous with the term "offer".

Bid Opening - a public meeting during which bid responses are disclosed.

Bidder - a person, firm or entity that submits a bid in response to a solicitation. The bidder whose bid is accepted by City may also be referred to herein as Contractor, Vendor or Supplier.

Bid Bond or Bid Guarantee - security to ensure that Bidder (a) will not withdraw the bid within the period specified for acceptance, and (b) will furnish any required bonds or performance guarantees, and any necessary insurance within the time specified in the solicitation.

Change Order - a change to the plans or specifications of the contract, or an increase or decrease in the quantity of work to be performed or of materials, equipment, or supplies to be furnished, issued by the Director after the bid has been accepted by the City.

City - the City of San Antonio, a Texas home-rule municipal corporation.

Contract - the binding legal agreement between the City and Vendor.

Contractor - the bidder whose bid is accepted by the City and is, therefore, the person, firm or entity providing goods or services to the City under a contract.

Director - the Director of City's Purchasing & General Services Department, or Director's designee.

Equal or Equivalent - terms to indicate that similar products or other brands may be acceptable for purchase if specifications and functional requirements are met.

Invitation for Bid (IFB) - a solicitation requesting pricing for a specified good or a service.

Line Item - a listing of items in a bid for which a bidder is expected to provide separate pricing.

Low Bid - a bid which is lowest in price, but may not meet all requirements or specifications.

Lowest Responsible Bidder - the bidder whose bid meets all requirements of the specifications, terms and conditions of the IFB and results in the lowest cost to the City in an award based solely on price, taking into consideration the bidder's competence and qualifications to perform the contract.

Non-Responsive Bid - a bid or offer that does not comply with the terms and conditions, or specifications and/or requirements of the IFB.

Offer - a complete, signed response to an IFB that, if accepted, would bind the bidder to perform the resultant contract. The term "offer" is synonymous with the term "bid".

Payment Bond - a particular form of security provided by the contractor to protect the City against loss due to the contractor's failure to pay suppliers and subcontractors.

Performance Bond - a particular form of security provided by the contractor to protect the City against loss due to the contractor's inability or unwillingness to complete the contract as agreed.

Performance Deposit - security provided by the contractor to protect the City against loss due to the contractor's inability or unwillingness to complete the contract as agreed.

Pre-Submittal Conference - a meeting conducted by the City, held in order to allow bidders to ask questions about the proposed contract and particularly, the contract specifications.

Purchase Order - a validly issued order placed by an authorized City department for the purchase of goods or services, written on the City's standard purchase order form, and which is Vendor's authority to deliver to and invoice the City for the goods or services specified in an IFB for the price stated in Vendor's bid.

Responsible Bidder - a bidder who is known to have the necessary competence and qualifications to perform and provide all requirements of an intended contract.

Responsive Bidder - a bidder who tenders a bid which meets all requirements of the invitation to bid and is a responsible bidder.

Sealed Bid - a bid submitted as a sealed document, whether hard copy or electronic, by a prescribed time to the location indicated in the IFB. The contents of the bid will not be made public prior to the bid opening.

Specifications - a description of what the City requires and what the bidder must offer; a description of the physical or functional characteristics of a product or material, or the nature of a service or construction item.

Subcontractor - a person, firm or entity providing goods or services to a vendor to be used in the performance of the Vendor's obligations under the contract with the City.

Supplier - the bidder whose bid is accepted by the City and is, therefore, the person, firm or entity providing goods or services to the City under a contract.

Vendor - the bidder whose bid is accepted by the City and is, therefore, the person, firm or entity providing goods or services to the City under a contract.

Waiver of Irregularity - noting, but disregarding an immaterial variance within a bid.

009 - ATTACHMENTS

8
11

7
9

9

ATTACHMENT A

Local Preference Program Ordinance

The 82nd Texas Legislature adopted a revision to the law that allowed the City of San Antonio (City) to adopt a policy that would grant contracting preferences to local businesses for certain types of contracts. The City adopted such a policy, known as the Local Preference Program, described in the San Antonio City Code Chapter 2, Article XII, effective for solicitations issued after May 1, 2013.

This solicitation is subject to the Local Preference Program. For more information on the program, refer to the Local Preference Program Identification Form attached to this solicitation. In order to receive consideration the Local Bidder must complete and return the attached Local Preference Identification Form.

PRICE SCHEDULE

ITEM	QUANTITY	DESCRIPTION
1	8	Ground Mower Attachments
PRICE EACH: \$		<u>4,541.⁷²</u>
TOTAL PRICE: \$		<u>36,333.⁷⁶</u>

YEAR, MAKE & MODEL OFFERED:

NEW, 2016, MODERN AG PRODUCTS LTD. 7' PREDATOR ^{with} _{front chair}

EQUIPMENT WARRANTY:

5 years limited warranty on gear box / 10 years limited on Deck Rust Thru

WARRANTY SERVICE PROVIDER NAME:

MODERN AG Products LTD & H&V
EQUIPMENT SERVICES INC. (as Servicing Dealer)

WARRANTY FACILITY ADDRESS:

H&V Equipment SERVICES INC.
3307 SE LOOP 410, SAN ANTONIO, TEXAS 78222

PRODUCTION CUT-OFF DATE: MAY 1, 2016

INDICATE THE LAST DAY THAT THE CITY CAN PLACE ORDERS UNDER THIS CONTRACT WITHOUT MISSING THE PRODUCTION CUT OFF DATE: 03-01-2016

BID PRICES SHALL REMAIN FIRM FOR ALL ORDERS PLACED PRIOR TO THIS CUT OFF DATE.
IN THE EVENT THAT CITY DOES NOT AWARD A CONTRACT PRIOR TO PRODUCTION CUT OFF DATE, CAN
BIDDER PROVIDE BID ITEMS, AT THE BID PRICE SUBMITTED, AFTER THE PRODUCTION CUT OFF DATE?
NO

DELIVERY: Delivery will be made within 60 or less calendar days after issuance of purchase order.

ITEM	QUANTITY	DESCRIPTION
2	1	84" Mower Deck
PRICE EACH: \$		<u>4,798.72</u>
TOTAL PRICE: \$		<u>4,798.72</u>

YEAR, MAKE & MODEL OFFERED:

NEW, 2016, MODERN AG PRODUCTS LTD, 7' PREDATOR with front & rear chain

EQUIPMENT WARRANTY:

5 year limited warranty on gear box / 10 year limited on deck rust thru

WARRANTY SERVICE PROVIDER NAME:

MODERN AG PRODUCTS LTD, & H&V EQUIPMENT SERVICES INC, (as Servicing Dealer)

WARRANTY FACILITY ADDRESS:

H&V EQUIPMENT SERVICES INC.
3307 SE LOOP 410, SAN ANTONIO, TX 78222

PRODUCTION CUT-OFF DATE: March 01 2016

INDICATE THE LAST DAY THAT THE CITY CAN PLACE ORDERS UNDER THIS CONTRACT WITHOUT MISSING THE PRODUCTION CUT OFF DATE: 03-01-2016

BID PRICES SHALL REMAIN FIRM FOR ALL ORDERS PLACED PRIOR TO THIS CUT OFF DATE.
IN THE EVENT THAT CITY DOES NOT AWARD A CONTRACT PRIOR TO PRODUCTION CUT OFF DATE, CAN
BIDDER PROVIDE BID ITEMS, AT THE BID PRICE SUBMITTED, AFTER THE PRODUCTION CUT OFF DATE?
NO

DELIVERY: Delivery will be made within 60 or less calendar days after issuance of purchase order.

ITEM	QUANTITY	DESCRIPTION
3	1	Ground Aerator

PRICE EACH: \$ NO BID

TOTAL PRICE: \$ _____

YEAR, MAKE & MODEL OFFERED:

ENGINE OFFERED:

EQUIPMENT WARRANTY:

WARRANTY SERVICE PROVIDER NAME:

WARRANTY FACILITY ADDRESS:

PRODUCTION CUT-OFF DATE: _____

INDICATE THE LAST DAY THAT THE CITY CAN PLACE ORDERS UNDER THIS CONTRACT WITHOUT MISSING THE PRODUCTION CUT OFF DATE: _____
 BID PRICES SHALL REMAIN FIRM FOR ALL ORDERS PLACED PRIOR TO THIS CUT OFF DATE.
 IN THE EVENT THAT CITY DOES NOT AWARD A CONTRACT PRIOR TO PRODUCTION CUT OFF DATE, CAN BIDDER PROVIDE BID ITEMS, AT THE BID PRICE SUBMITTED, AFTER THE PRODUCTION CUT OFF DATE?

DELIVERY: Delivery will be made within _____ calendar days after issuance of purchase order.

ITEM	QUANTITY	DESCRIPTION
4	7	4X4 Utility Tractors

PRICE EACH: \$ _____ NO BID _____

TOTAL PRICE: \$ _____

YEAR, MAKE & MODEL OFFERED:

ENGINE OFFERED:

EQUIPMENT WARRANTY:

WARRANTY SERVICE PROVIDER NAME:

WARRANTY FACILITY ADDRESS:

PRODUCTION CUT-OFF DATE: _____

INDICATE THE LAST DAY THAT THE CITY CAN PLACE ORDERS UNDER THIS CONTRACT WITHOUT MISSING THE PRODUCTION CUT OFF DATE: _____

BID PRICES SHALL REMAIN FIRM FOR ALL ORDERS PLACED PRIOR TO THIS CUT OFF DATE. IN THE EVENT THAT CITY DOES NOT AWARD A CONTRACT PRIOR TO PRODUCTION CUT OFF DATE, CAN BIDDER PROVIDE BID ITEMS, AT THE BID PRICE SUBMITTED, AFTER THE PRODUCTION CUT OFF DATE?

DELIVERY: Delivery will be made within _____ calendar days after issuance of purchase order.

ITEM	QUANTITY	DESCRIPTION
5	5	15' Batwing Mower Deck

PRICE EACH: \$ 15,728.27

TOTAL PRICE: \$ 78,641.35

YEAR, MAKE & MODEL OFFERED:

2016, MODERN AG PRODUCTS LTD., 15' RAPTOR

EQUIPMENT WARRANTY:

5 years limited warranty on gear boxes, 10 year limited on deck rust thru

WARRANTY SERVICE PROVIDER NAME:

MODERN AG Products LTD & H & V EQUIPMENT SERVICES INC. (as servicing dealer)

WARRANTY FACILITY ADDRESS:

H & V EQUIPMENT SERVICES INC.
3307, SE LOOP 410, SAN ANTONIO TX, 78222

PRODUCTION CUT-OFF DATE: March 01, 2016

INDICATE THE LAST DAY THAT THE CITY CAN PLACE ORDERS UNDER THIS CONTRACT WITHOUT MISSING THE PRODUCTION CUT OFF DATE: 03.01.2016

BID PRICES SHALL REMAIN FIRM FOR ALL ORDERS PLACED PRIOR TO THIS CUT OFF DATE. IN THE EVENT THAT CITY DOES NOT AWARD A CONTRACT PRIOR TO PRODUCTION CUT OFF DATE, CAN BIDDER PROVIDE BID ITEMS, AT THE BID PRICE SUBMITTED, AFTER THE PRODUCTION CUT OFF DATE? NO

DELIVERY: Delivery will be made within 60 or less calendar days after issuance of purchase order.

ITEM	QUANTITY	DESCRIPTION
6	1	Mulcher Attachment for Skid Steer

PRICE EACH: \$ _____ *No Bid*

TOTAL PRICE: \$ _____

YEAR, MAKE & MODEL OFFERED: _____

EQUIPMENT WARRANTY: _____

WARRANTY SERVICE PROVIDER NAME: _____

WARRANTY FACILITY ADDRESS: _____

PRODUCTION CUT-OFF DATE: _____

INDICATE THE LAST DAY THAT THE CITY CAN PLACE ORDERS UNDER THIS CONTRACT WITHOUT MISSING THE PRODUCTION CUT OFF DATE: _____

BID PRICES SHALL REMAIN FIRM FOR ALL ORDERS PLACED PRIOR TO THIS CUT OFF DATE. IN THE EVENT THAT CITY DOES NOT AWARD A CONTRACT PRIOR TO PRODUCTION CUT OFF DATE, CAN BIDDER PROVIDE BID ITEMS, AT THE BID PRICE SUBMITTED, AFTER THE PRODUCTION CUT OFF DATE? _____

DELIVERY: Delivery will be made within _____ calendar days after issuance of purchase order.

ITEM	QUANTITY	DESCRIPTION
7	1	3-Wheeled Infield Maintenance Tractor

PRICE EACH: \$ _____ *NO Bid*

TOTAL PRICE: \$ _____

YEAR, MAKE & MODEL OFFERED:

ENGINE OFFERED:

EQUIPMENT WARRANTY:

WARRANTY SERVICE PROVIDER NAME:

WARRANTY FACILITY ADDRESS:

PRODUCTION CUT-OFF DATE: _____

INDICATE THE LAST DAY THAT THE CITY CAN PLACE ORDERS UNDER THIS CONTRACT WITHOUT MISSING THE PRODUCTION CUT OFF DATE: _____

BID PRICES SHALL REMAIN FIRM FOR ALL ORDERS PLACED PRIOR TO THIS CUT OFF DATE. IN THE EVENT THAT CITY DOES NOT AWARD A CONTRACT PRIOR TO PRODUCTION CUT OFF DATE, CAN BIDDER PROVIDE BID ITEMS, AT THE BID PRICE SUBMITTED, AFTER THE PRODUCTION CUT OFF DATE?

DELIVERY: Delivery will be made within _____ calendar days after issuance of purchase order.

Prompt Payment Discount: _____% _____ days. (if no discount is offered, Net 30 will apply.)

City of San Antonio
Finance Department - Purchasing Division
Local Preference Program Identification Form

The City of San Antonio Local Preference Program, described in the San Antonio City Code Chapter 2, Article XII, establishes a local preference for specific contracting categories. Each time a bidder or respondent submits a bid for a solicitation, this Local Preference Program Identification Form must be completed and turned in with the solicitation response in order to be identified as a City Business and receive the preference described below. The City will not rely on Local Preference Program Identification Forms submitted with prior or contemporaneous bids or proposals.

The Local Preference Program allows the City to grant a preference to a business meeting the definition of *City Business* in the award of the following types of contracts, when selection is made based on price alone:

- **Personal Property (Goods / Supplies)**: The local bidder's price must be within 3% of the price of the lowest non-local bidder for contracts of \$50,000 or more;
- **Non-professional Services**: The local bidder's price must be within 3% of the price of the lowest non-local bidder for contracts of \$50,000 to under \$500,000;
- **Construction Services**: The local bidder's price must be within 3% of the price of the lowest non-local bidder for contracts of \$50,000 to under \$100,000, excluding contracts awarded using alternative delivery methods.

The Local Preference Program also allows the award of additional points, when multiple evaluation criteria are used in the award of professional service contracts, where the selection process is not governed by statute and in revenue generating and concession contracts. A business meeting the definition of *City Business* stated below may be awarded 10 points for being headquartered within the city, or 5 points for having a local office within the city.

Moreover, the program recognizes joint venture agreements and allows for apportioning of points based upon the percentage of ownership of joint ventures by *City Businesses* responding to solicitations for which discretionary points are applied. For solicitations where selection is made based on price alone, all members of a joint venture must be *City Businesses* for the preference to be applied.

City Business is defined as a business headquartered within the incorporated San Antonio city limits for one year or more OR one that meets the following conditions:

- Has an established place of business for one year or more in the incorporated limits of the City:
 - (a) from which at least 100 of its employees OR at least 20% of its total full-time, part-time and contract employees are regularly based; and
 - (b) from which a substantial role in the business' performance of a commercially useful function or a substantial part of its operations is conducted by those employees.

A location utilized solely as a post office box, mail drop or telephone message center or any similar combination, with no other substantial work function, is not a *City Business*.

For the purposes of this program, Headquartered is defined as the place where a business entity's officers direct, control, and coordinate the entity's activities.

NOTE: Bidders / Respondents are required to submit documentation to substantiate that the requirements of a *City Business* have been met. Examples of documentation may include, but are not limited to the following:

1. Existence of local headquarters or office: For corporations, Texas Comptroller's listing of names/addresses of officers and directors. For partnerships, partnership agreement and any documents identifying the current managing partners and their current work addresses
2. Evidence of local headquarters or office in existence for one year or more: Utility bills, real property lease agreements, equipment leases, personal property taxes, real property taxes
3. Evidence of number of employees: Organizational charts, payroll records by location

City of San Antonio
Finance Department - Purchasing Division
Local Preference Program Identification Form

CITY RESERVES THE RIGHT TO REQUEST ADDITIONAL INFORMATION TO VALIDATE BIDDERS'/RESPONDENTS' DESIGNATION AS A CITY BUSINESS.

COMPLETE THE FOLLOWING FORM AND SUBMIT WITH YOUR RESPONSE EVEN IF YOU ARE NOT SEEKING A LOCAL PREFERENCE. THE BIDDER / RESPONDENT MUST COMPLETE THE FOLLOWING FORM TO BE IDENTIFIED AS A CITY BUSINESS. IF BIDDER / RESPONDENT IS SUBMITTING AS A JOINT VENTURE, EACH CITY BUSINESS THAT IS A MEMBER OF THE JOINT VENTURE MUST COMPLETE AND SIGN THIS FORM.

PROVIDE THE FOLLOWING INFORMATION IF BIDDER/ RESPONDENT IS SUBMITTING AS PART OF A JOINT VENTURE. Joint Venture means a collaboration of for-profit business entities, in response to a solicitation, which is manifested by a written agreement, between two or more independently owned and controlled business firms to form a third business entity solely for purposes of undertaking distinct roles and responsibilities in the completion of a given contract. Under this business arrangement, each joint venture partner shares in the management of the joint venture and also shares in the profits or losses of the joint venture enterprise commensurately with its contribution to the venture.

STATE BIDDER'S / RESPONDENT'S PERCENTAGE OF OWNERSHIP IN THE JOINT VENTURE: _____%

SUBMIT A COPY OF THE JOINT VENTURE AGREEMENT. SUBMIT ANY OTHER DOCUMENTATION REQUESTED BY CITY TO SUBSTANTIATE THE EXISTANCE OF AND/OR PARTICIPATION IN THE JOINT VENTURE. NO PREFERENCE POINTS WILL BE ALLOCATED TO A JOINT VENTURE THAT FAILS TO SUBMIT REQUIRED DOCUMENTATION.

SOLICITATION NAME/NUMBER: _____

PROVIDE THE FOLLOWING INFORMATION REGARDING BIDDER'S / RESPONDENT'S HEADQUARTERS:

Name of Business:	H & V EQUIPMENT SERVICES	
Physical Address:	3307 S.E. Loop 410	
City, State, Zip Code:	SAN ANTONIO, TEXAS 78222	
Phone Number:	210-648-5885	
Email Address:	swhittley@hvequipment.com	
Provide the total number of full-time, part-time, and contract personnel employed by Bidder / Respondent: _____	8	
Is Business headquartered within the incorporated San Antonio city limits? (circle one)	<input checked="" type="radio"/> Yes	<input type="radio"/> No
Has the business been headquartered in the incorporated San Antonio city limits for one year or more? (circle one)	<input checked="" type="radio"/> Yes	<input type="radio"/> No
If the answers to the questions above are "Yes", stop here. If the answer to either of the above questions is "No", provide responses to the following questions:		

City of San Antonio
Finance Department - Purchasing Division
Local Preference Program Identification Form

PROVIDE THE FOLLOWING INFORMATION REGARDING BIDDER'S / RESPONDENT'S LOCAL OFFICE (IF APPLICABLE):

Name of Business:	H E V EQUIPMENT SERVICES INC.	
Physical Address:	3307 S. E. Loop 410	
City, State, Zip Code:	SAN ANTONIO TEXAS 78222	
Phone Number:	210-648-5885	
Email Address:	SWhittley@hvequipment.com	
Provide the total number of full-time, part-time, and contract personnel employed by Bidder / Respondent in the local office:	8	
Is the business located in the incorporated San Antonio city limits? (circle one)	<input checked="" type="radio"/> Yes	<input type="radio"/> No
Has the business been located in the incorporated San Antonio city limits for one year or more? (circle one)	<input checked="" type="radio"/> Yes	<input type="radio"/> No
Are at least 100 full-time, part-time or contract employees regularly based in the San Antonio office? (circle one)	<input type="radio"/> Yes	<input checked="" type="radio"/> No
Are at least 20% of the business' total full-time, part-time or contract employees regularly based in the San Antonio office? (circle one)	<input checked="" type="radio"/> Yes	<input type="radio"/> No
Do the employees in the San Antonio office perform a substantial role in the business' performance of a commercially useful function or are a substantial part of the business' operations conducted in the San Antonio office? (circle one)	<input checked="" type="radio"/> Yes	<input type="radio"/> No

City of San Antonio
Finance Department - Purchasing Division
Local Preference Program Identification Form

ACKNOWLEDGEMENT

THE STATE OF TEXAS

I certify that my responses and the information provided on this Local Preference Program Identification Form are true and correct to the best of my personal knowledge and belief and that I have made no willful misrepresentations on this form, nor have I withheld any relevant information in my statements and answers to questions. I am aware that any information given by me on this Local Preference Program Identification Form may be investigated and I hereby give my full permission for any such investigation, including the inspection of business records and site visits by City or its authorized representative. I fully acknowledge that any misrepresentations or omissions in my responses and information may cause my offer to be rejected or contract to be terminated. I further acknowledge that providing false information is grounds for debarment.

BIDDER'S / RESPONDENT'S FULL NAME:

Stephen W. Whittley
(Print Name) Authorized Representative of Bidder / Respondent

Stephen W. Whittley
(Signature) Authorized Representative of Bidder / Respondent

Territory Manager
Title

11-27-2015
Date

This Local Preference Identification Form must be submitted with the bidder's / respondent's bid/proposal response.

7' Predator

You're always ahead... with a Modern behind!
 For more information or to locate a dealer call 1-800-231-3198



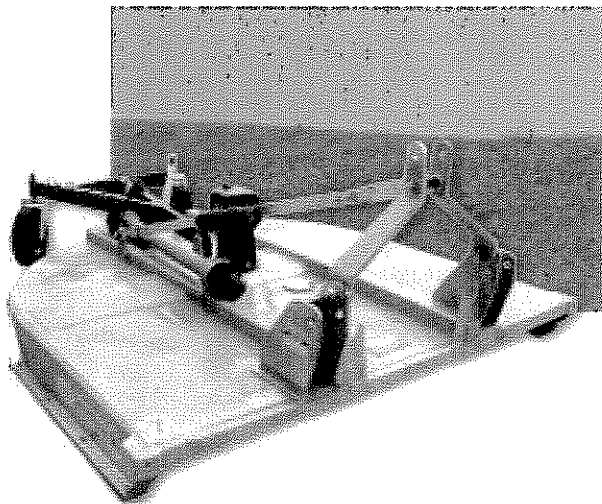
MODERN
 AG PRODUCTS LTD.

**CUTTING
 WIDTH
 84"**

THE 7' PREDATOR IS A
 CAT. 2 WITH A 140 HP
 GEARBOX AND A CAT. 5,
 HEAVY DUTY SLIP CLUTCH
 DRIVELINE.

Warranty

Provides a 5 year limited warranty
 on gearbox and 10 year limited
 warranty on deck rust thru.



Features:

- 1/2" gearbox plate
- Heavy duty stump jumper & slip clutch
- Laminated tailwheel
- Solid 3/16" (7 Gauge) Deck
- Double Hitch Pin Connection
- Quick Attach



Smooth underdecks make for
 more efficient mowing and less
 area for rust to begin. Deck rings
 are standard.



ITEM
 ① w/11
 Front chains



* Gearbox ratings based on field performance. ** The Galvanized gloss level could vary from unit to unit. Modern Ag Products reserves the right to make changes and/or improvements in design and construction of parts or machines shown herein without notice or obligation.

Specifications

Cutting Width	84"	Horsepower Required (min)	50 hp	Side Skirt	1/4" x 8"
Transport Width	90"	Main Gearbox or Divider Box*	140 hp	Replaceable Skid Shoes	Standard
Overall Width	90"	Output Shaft Diameter	2-3/8"	Front Safety Deflectors	Chain Option
Overall Length	100"	Cut Capacity	4"	Rear Safety Deflectors:	
Overall Height	2" - 12"	Blade Tip Speed:		Rubber Guard Standard with Chain Option	
Blade Overlap	3"	540	17,494 FPM	Weight (Approx)	1750 lbs.
Hitch	Quick Attach Cat. II	Driveline Size	Cat. 5 w/Slip Clutch	Standard Tires	Laminated
Blade Carrier	Pan Stump Jumpers	Deck Thickness	3/16"	Dual Tailwheels	Standard
				Deck Ring to Protect Deck	Standard

Predator

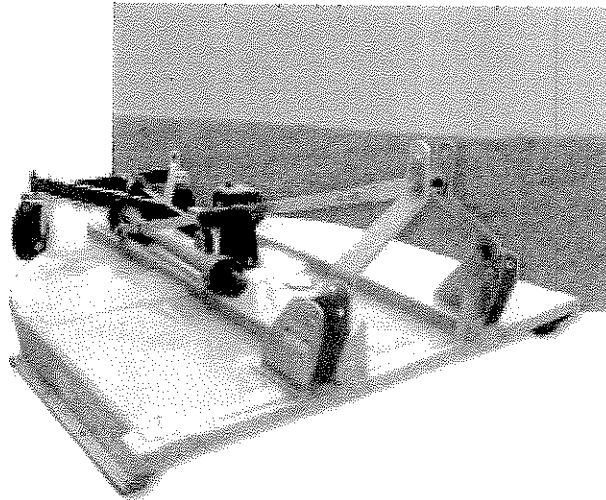
Call for information on all our products. Modem Ag Products, Inc. 1-800-331-0199



**MODERN
AG PRODUCTS**

**CUTTING
WIDTH
84"**

THE 7' PREDATOR IS A CAT. 2 WITH A 140 HP GEARBOX AND A CAT. 5 HEAVY DUTY SLIP CLUTCH DRIVELINE.



Features:

- 1/2" gearbox plate
- Heavy duty stump jumper & slip clutch
- Laminated tailwheel
- Solid 3/16" (7 Gauge) Deck
- Double Hitch Pin Connection
- Quick Attach

Warranty

Provides a 5 year limited warranty on gearbox and 10 year limited warranty on deck rust thru.



Smooth underdecks make for more efficient mowing and less area for rust to begin. Deck rings are standard.



*ITEM ②
Front & Rear
chains*

* Gearbox ratings based on field performance. ** The Galvanized gloss level could vary from unit to unit. Modem Ag Products reserves the right to make changes and/or improvements in design and construction of parts or machines shown herein without notice or obligation.

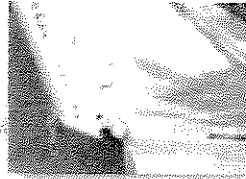
Specifications

Cutting Width	84"	Horsepower Required (min)	50 hp	Side Skirt	1/4" x 8"
Transport Width	90"	Main Gearbox or Divider Box*	140 hp	Replaceable Skid Shoes	Standard
Overall Width	90"	Output Shaft Diameter	2-3/8"	Front Safety Deflectors . .	Chain Option
Overall Length	100"	Cut Capacity	4"	Rear Safety Deflectors:	
Overall Height	2" - 12"	Blade Tip Speed:		Rubber Guard Standard with Chain Option	
Blade Overlap	3"	540	17,494 FPM	Weight (Approx)	1750 lbs.
Hitch	Quick Attach Cat. II	Driveline Size	Cat. 5 w/Slip Clutch	Standard Tires	Laminated
Blade Carrier	Pan Stump Jumpers	Deck Thickness	3/16"	Dual Tailwheels	Standard
				Deck Ring to Protect Deck	Standard



CUTTING WIDTH
180"

INTRODUCING... THE 15' RAPTOR WITH FORMED OUTRIGGERS AND SELF-CLEANING SMOOTH DOUBLE DECK.



New Style Transport Locking Mechanism.



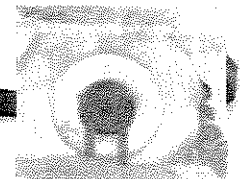
New Style Leveling Tongue.



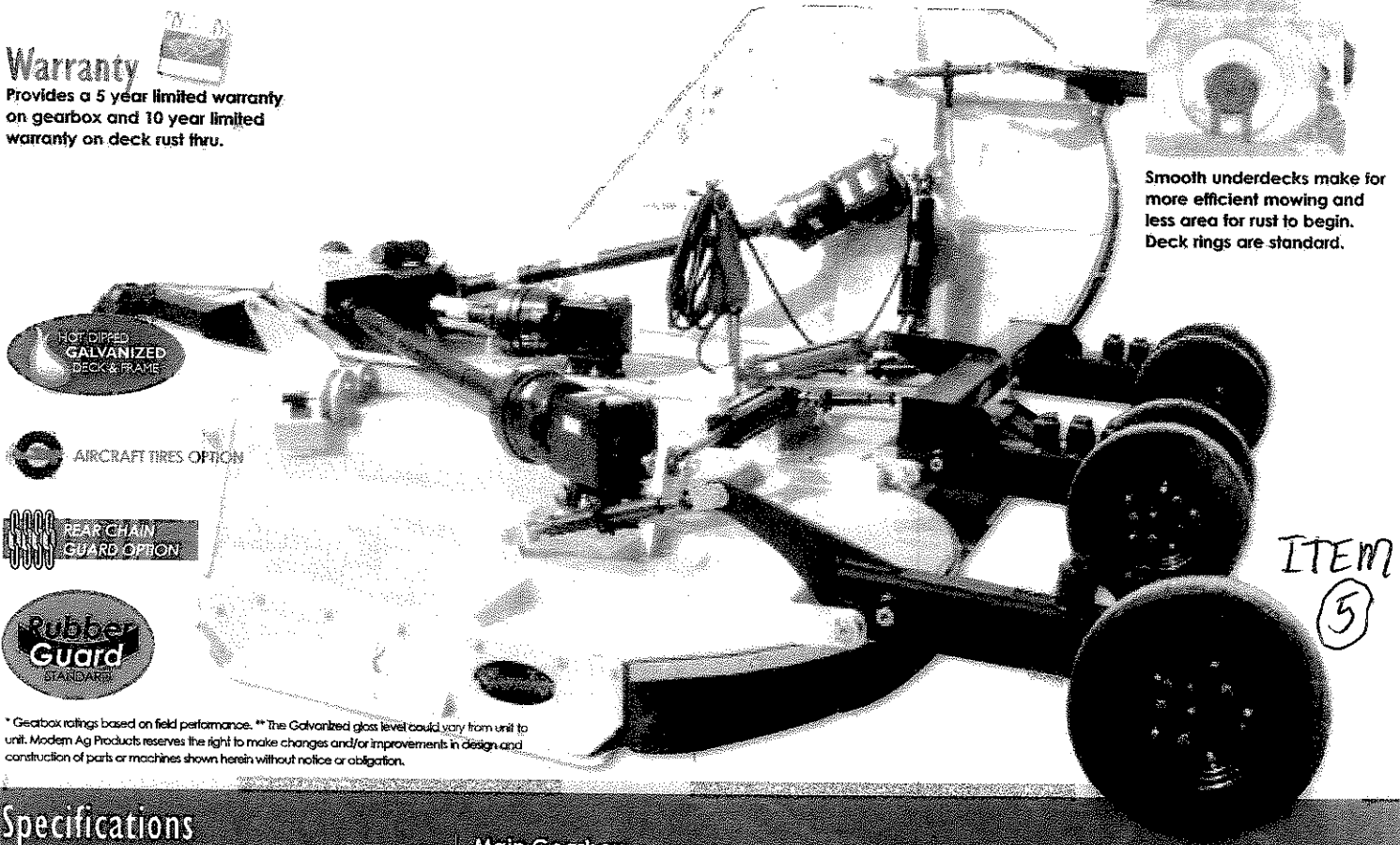
Upgraded Skid Shoes.

Warranty

Provides a 5 year limited warranty on gearbox and 10 year limited warranty on deck rust thru.



Smooth underdecks make for more efficient mowing and less area for rust to begin. Deck rings are standard.



HOT-DIPPED GALVANIZED DECK & FRAME

AIRCRAFT TIRES OPTION

REAR CHAIN GUARD OPTION

Rubber Guard STANDARD

ITEM 5

* Gearbox ratings based on field performance. ** The Galvanized glass level could vary from unit to unit. Modern Ag Products reserves the right to make changes and/or improvements in design and construction of parts or machines shown herein without notice or obligation.

Specifications

Cutting Width	180"	Main Gearbox or Divider Box*	255 hp	Deck Thickness	3/16"
Transport Width	90"	Outboard Gearbox or Center & Wings*	210 hp	Side Skirt	1/4" x 10 1/4"
Overall Width	187"	Output Shaft Diameter	2-3/8"	Replaceable Skid Shoes Standard	
Overall Length	180"	Cut Capacity	3-1/2"	Front Safety Chains	Standard
Cutting Height	2" -15"	Blade Tip Speed:		Rear Safety Deflectors:	
Blade Overlap	6"	Main or Center	540 . . 15,268 fpm	Rubber Guard Standard with Rear Chain Option	
Wing Lift Hydraulics	Standard	1000 . . 15,072 FPM		Weight (Approx)	6500 lbs.
Wing Flex	90° Up/22° Down	Wings	540 . . 15,016 fpm	Standard Tires	Laminated 600 x 9
Jackstand	Standard	1000 . . 14,996 FPM		Dual Wingwheels	Option
Hitch	Swivel Clevis	Driveline Size:		Hydraulic Level Lift	Option
Blade Carrier	Pan Stump Jumpers	Main	Cat. 5 Constant Velocity	Deck Rings to Protect Deck	Standard
Horsepower Required (min)	60 hp	Outboard Center or Wings	Cat. 4 w/Slip Clutch		



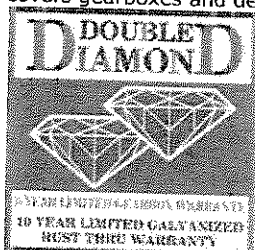
THE MODERN GROUP

Dragon Products
Tiger Offshore & Industrial Rentals
Modern Ag • MG Finance Co.

Modern Ag Products

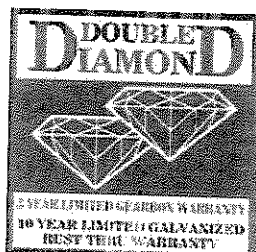
Warranty Information

All Modern Ag Products implements carry a non-transferable one year manufacturing defects warranty*, which covers any latent defect in parts and/or workmanship. Our exclusive DOUBLE DIAMOND LIMITED WARRANTY SYSTEM additionally covers gearboxes and deck rust thru on all galvanized cutters for varying periods of time.



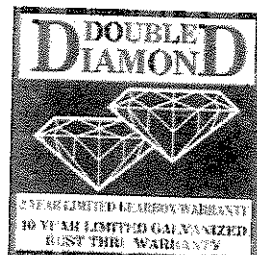
RED DOUBLE DIAMOND

Provides a 5 year limited warranty on gearbox and 10 year limited warranty on deck rust thru. Super Predator, Predator & Super Highway Special series only.



BLUE DOUBLE DIAMOND

Provides a 3 year limited warranty on gearbox and 10 year limited warranty on deck rust thru for galvanized models.



GREEN DOUBLE DIAMOND

Provides a 2 year limited warranty on gearbox and 10 year limited warranty on deck rust thru for galvanized models.

©copyright 2007 Modern Group Inc. All rights reserved

City of San Antonio
Finance Department - Purchasing Division
Local Preference Program Identification Form

The City of San Antonio Local Preference Program, described in the San Antonio City Code Chapter 2, Article XII, establishes a local preference for specific contracting categories. Each time a bidder or respondent submits a bid for a solicitation, this Local Preference Program Identification Form must be completed and turned in with the solicitation response in order to be identified as a City Business and receive the preference described below. The City will not rely on Local Preference Program Identification Forms submitted with prior or contemporaneous bids or proposals.

The Local Preference Program allows the City to grant a preference to a business meeting the definition of *City Business* in the award of the following types of contracts, when selection is made based on price alone:

- **Personal Property (Goods / Supplies):** The local bidder's price must be within 3% of the price of the lowest non-local bidder for contracts of \$50,000 or more;
- **Non-professional Services:** The local bidder's price must be within 3% of the price of the lowest non-local bidder for contracts of \$50,000 to under \$500,000;
- **Construction Services:** The local bidder's price must be within 3% of the price of the lowest non-local bidder for contracts of \$50,000 to under \$100,000, excluding contracts awarded using alternative delivery methods.

The Local Preference Program also allows the award of additional points, when multiple evaluation criteria are used in the award of professional service contracts, where the selection process is not governed by statute and in revenue generating and concession contracts. A business meeting the definition of *City Business* stated below may be awarded 10 points for being headquartered within the city, or 5 points for having a local office within the city.

Moreover, the program recognizes joint venture agreements and allows for apportioning of points based upon the percentage of ownership of joint ventures by *City Businesses* responding to solicitations for which discretionary points are applied. For solicitations where selection is made based on price alone, all members of a joint venture must be *City Businesses* for the preference to be applied.

City Business is defined as a business headquartered within the incorporated San Antonio city limits for one year or more OR one that meets the following conditions:

- Has an established place of business for one year or more in the incorporated limits of the City:
 - (a) from which at least 100 of its employees OR at least 20% of its total full-time, part-time and contract employees are regularly based; and
 - (b) from which a substantial role in the business' performance of a commercially useful function or a substantial part of its operations is conducted by those employees.

A location utilized solely as a post office box, mail drop or telephone message center or any similar combination, with no other substantial work function, is not a *City Business*.

For the purposes of this program, Headquartered is defined as the place where a business entity's officers direct, control, and coordinate the entity's activities.

NOTE: Bidders / Respondents are required to submit documentation to substantiate that the requirements of a City Business have been met. Examples of documentation may include, but are not limited to the following:

1. Existence of local headquarters or office: For corporations, Texas Comptroller's listing of names/addresses of officers and directors. For partnerships, partnership agreement and any documents identifying the current managing partners and their current work addresses
2. Evidence of local headquarters or office in existence for one year or more: Utility bills, real property lease agreements, equipment leases, personal property taxes, real property taxes
3. Evidence of number of employees: Organizational charts, payroll records by location

City of San Antonio
Finance Department - Purchasing Division
Local Preference Program Identification Form

CITY RESERVES THE RIGHT TO REQUEST ADDITIONAL INFORMATION TO VALIDATE BIDDERS'/RESPONDENTS' DESIGNATION AS A CITY BUSINESS.

COMPLETE THE FOLLOWING FORM AND SUBMIT WITH YOUR RESPONSE EVEN IF YOU ARE NOT SEEKING A LOCAL PREFERENCE. THE BIDDER / RESPONDENT MUST COMPLETE THE FOLLOWING FORM TO BE IDENTIFIED AS A CITY BUSINESS. IF BIDDER / RESPONDENT IS SUBMITTING AS A JOINT VENTURE, EACH CITY BUSINESS THAT IS A MEMBER OF THE JOINT VENTURE MUST COMPLETE AND SIGN THIS FORM.

PROVIDE THE FOLLOWING INFORMATION IF BIDDER/ RESPONDENT IS SUBMITTING AS PART OF A JOINT VENTURE. Joint Venture means a collaboration of for-profit business entities, in response to a solicitation, which is manifested by a written agreement, between two or more independently owned and controlled business firms to form a third business entity solely for purposes of undertaking distinct roles and responsibilities in the completion of a given contract. Under this business arrangement, each joint venture partner shares in the management of the joint venture and also shares in the profits or losses of the joint venture enterprise commensurately with its contribution to the venture.

STATE BIDDER'S / RESPONDENT'S PERCENTAGE OF OWNERSHIP IN THE JOINT VENTURE: _____%

SUBMIT A COPY OF THE JOINT VENTURE AGREEMENT. SUBMIT ANY OTHER DOCUMENTATION REQUESTED BY CITY TO SUBSTANTIATE THE EXISTANCE OF AND/OR PARTICIPATION IN THE JOINT VENTURE. NO PREFERENCE POINTS WILL BE ALLOCATED TO A JOINT VENTURE THAT FAILS TO SUBMIT REQUIRED DOCUMENTATION.

SOLICITATION NAME/NUMBER: _____

PROVIDE THE FOLLOWING INFORMATION REGARDING BIDDER'S / RESPONDENT'S HEADQUARTERS:

Name of Business:	H & V EQUIPMENT SERVICES	
Physical Address:	3307 S.E. Loop 410	
City, State, Zip Code:	SAN ANTONIO, TEXAS 78222	
Phone Number:	210-648-5885	
Email Address:	swhittley@hvequipment.com	
Provide the total number of full-time, part-time, and contract personnel employed by Bidder / Respondent:	8	
Is Business headquartered within the incorporated San Antonio city limits? (circle one)	<input checked="" type="radio"/> Yes	<input type="radio"/> No
Has the business been headquartered in the incorporated San Antonio city limits for one year or more? (circle one)	<input checked="" type="radio"/> Yes	<input type="radio"/> No
If the answers to the questions above are "Yes", stop here. If the answer to either of the above questions is "No", provide responses to the following questions:		

City of San Antonio
Finance Department - Purchasing Division
Local Preference Program Identification Form

PROVIDE THE FOLLOWING INFORMATION REGARDING BIDDER'S / RESPONDENT'S LOCAL OFFICE (IF APPLICABLE):

Name of Business:	H E V EQUIPMENT SERVICES INC.	
Physical Address:	3307 S. E. Loop 410	
City, State, Zip Code:	SAN ANTONIO TEXAS 78222	
Phone Number:	210-648-5885	
Email Address:	SWhittle@hvequipment.com	
Provide the total number of full-time, part-time, and contract personnel employed by Bidder / Respondent in the local office:	8	
Is the business located in the incorporated San Antonio city limits? (circle one)	<input checked="" type="radio"/> Yes	No
Has the business been located in the incorporated San Antonio city limits for one year or more? (circle one)	<input checked="" type="radio"/> Yes	No
Are at least 100 full-time, part-time or contract employees regularly based in the San Antonio office? (circle one)	Yes	<input checked="" type="radio"/> No
Are at least 20% of the business' total full-time, part-time or contract employees regularly based in the San Antonio office? (circle one)	<input checked="" type="radio"/> Yes	No
Do the employees in the San Antonio office perform a substantial role in the business' performance of a commercially useful function or are a substantial part of the business' operations conducted in the San Antonio office? (circle one)	<input checked="" type="radio"/> Yes	No

2015

City of San Antonio
Finance Department - Purchasing Division
Local Preference Program Identification Form

ACKNOWLEDGEMENT

THE STATE OF TEXAS

I certify that my responses and the information provided on this Local Preference Program Identification Form are true and correct to the best of my personal knowledge and belief and that I have made no willful misrepresentations on this form, nor have I withheld any relevant information in my statements and answers to questions. I am aware that any information given by me on this Local Preference Program Identification Form may be investigated and I hereby give my full permission for any such investigation, including the inspection of business records and site visits by City or its authorized representative. I fully acknowledge that any misrepresentations or omissions in my responses and information may cause my offer to be rejected or contract to be terminated. I further acknowledge that providing false information is grounds for debarment.

BIDDER'S / RESPONDENT'S FULL NAME:

Stephen W. Whittle

(Print Name) Authorized Representative of Bidder / Respondent

Steph W. Whittle

(Signature) Authorized Representative of Bidder / Respondent

Territory Manager

Title

11-27-2015

Date

**This Local Preference Identification Form must be submitted with the bidder's /
respondent's bid/proposal response.**