

CITY OF SAN ANTONIO
PURCHASING AND GENERAL SERVICES DEPARTMENT

FORMAL INVITATION FOR BID ("IFB") NO.: 6100006993

MEDIUM EQUIPMENT II

ORIGINAL

Date Issued: DECEMBER 21, 2015

BIDS MUST BE RECEIVED NO LATER THAN:
2:00 PM, C.T. - JANUARY 15, 2016

Bids may be submitted by any of the following means:

- Electronic submission through the Portal
- Hard copy in person or by mail

Address for hard copy responses:

Physical Address:

City Clerk's Office
100 Military Plaza
4th Floor, City Hall
San Antonio, Texas 78205

Mailing Address:

City Clerk's Office
P.O. Box 839966
San Antonio, Texas 78283-3966

For Hard Copy Submissions, Mark Envelope

"MEDIUM EQUIPMENT II"

Bid Due Date: 2:00 p.m. – C.T., JANUARY 15, 2016

Bid No.: 6100006993

Bidder's Name and Address

Bid Bond: Performance Bond: Payment Bond: Other:

See Supplemental Terms & Conditions for information on these requirements.

Affirmative Procurement Initiative: NO

DBE / ACDBE Requirements:

See Instructions for Bidders and Attachments sections for more information on these requirements.

Pre-Submittal Conference *

* If YES, the Pre-Submittal conference will be held on January 5, 2016 at 3:00 pm – Central Time at Building & Equipment, Fleet Training Room, 329 S. Frio, San Antonio, Texas 78207

Staff Contact Person: ABIGAIL JOHNSTON, PROCUREMENT SPECIALIST III, P.O. Box 839966, San Antonio, TX 78283-3966.

Email: ABIGAIL.JOHNSTON@SANANTONIO.GOV

SBEDA Contact Information: DAVID RODRIGUEZ, 210-207-0071, DAVID.RODRIGUEZ3@SANANTONIO.GOV

007 - SIGNATURE PAGE

By submitting a bid, whether electronically or by paper, Bidder represents that:

(s)he is authorized to bind Bidder to fully comply with the terms and conditions of City's Invitation for Bid for the prices stated therein;

(s)he has read the entire document, including the final version issued by City, and agreed to the terms therein;

Bidder is in good standing with the Texas State Comptroller's Office; and

to the best of his/her knowledge, all information is true and correct.

If submitting your bid by paper, complete the following and sign on the signature line below. Failure to sign and submit this Signature Page will result in rejection of your bid.

Bidder Information

Please Print or Type

Vendor ID No.

1037083

Signer's Name

JIMMY ALLEN

Name of Business

TEXAS Equipment Rentals

Street Address

6380 RANDOLPH BLVD

City, State, Zip Code

SAN ANTONIO TX 78233

Email Address

Jimmy@TEXASEquipment.com

Telephone No.

210 - 570 - 2445

Fax No.

210 - 570 - 1432

City's Solicitation No.

6100006993


Signature of Person Authorized to Sign Bid

008 - STANDARD DEFINITIONS

Whenever a term defined by the Uniform Commercial Code ("UCC"), as enacted by the State of Texas, is used in the Contract, the UCC definition shall control, unless otherwise defined in the Contract.

All-or-None Bid - an invitation to bid in which the City will award the entire contract to one bidder only.

Alternate Bid - two or more bids with substantive variations in the item or service offered from the same bidder in response to a solicitation.

Assignment - a transfer of claims, rights or interests in goods, services or property.

Bid - a complete, signed response to a solicitation. The term "bid" is synonymous with the term "offer".

Bid Opening - a public meeting during which bid responses are disclosed.

Bidder - a person, firm or entity that submits a bid in response to a solicitation. The bidder whose bid is accepted by City may also be referred to herein as Contractor, Vendor or Supplier.

Bid Bond or Bid Guarantee - security to ensure that Bidder (a) will not withdraw the bid within the period specified for acceptance, and (b) will furnish any required bonds or performance guarantees, and any necessary insurance within the time specified in the solicitation.

Change Order - a change to the plans or specifications of the contract, or an increase or decrease in the quantity of work to be performed or of materials, equipment, or supplies to be furnished, issued by the Director after the bid has been accepted by the City.

City - the City of San Antonio, a Texas home-rule municipal corporation.

Contract - the binding legal agreement between the City and Vendor.

Contractor - the bidder whose bid is accepted by the City and is, therefore, the person, firm or entity providing goods or services to the City under a contract.

Director - the Director of City's Purchasing & General Services Department, or Director's designee.

Equal or Equivalent - terms to indicate that similar products or other brands may be acceptable for purchase if specifications and functional requirements are met.

Invitation for Bid (IFB) - a solicitation requesting pricing for a specified good or a service.

Line Item - a listing of items in a bid for which a bidder is expected to provide separate pricing.

Low Bid - a bid which is lowest in price, but may not meet all requirements or specifications.

Lowest Responsible Bidder - the bidder whose bid meets all requirements of the specifications, terms and conditions of the IFB and results in the lowest cost to the City in an award based solely on price, taking into consideration the bidder's competence and qualifications to perform the contract.

Non-Responsive Bid - a bid or offer that does not comply with the terms and conditions, or specifications and/or requirements of the IFB.

Offer - a complete, signed response to an IFB that, if accepted, would bind the bidder to perform the resultant contract. The term "offer" is synonymous with the term "bid".

Payment Bond - a particular form of security provided by the contractor to protect the City against loss due to the contractor's failure to pay suppliers and subcontractors.

18" concrete saw

Item	Descriptions	Quantity
3	Concrete/Pavement Saw	1 each

Price Each: \$ \$2647.⁰⁰

Total: \$ \$2647.⁰⁰

Year, Make & Model Offered:
2015 SP118 Multiquip w/ WATER KIT. 18" Concrete Saw.

Specific Make & Model of engine offered (include HP):
Honda GX 390 11.7 HP

Warranty:
1 year parts/service

Warranty Service Provider Name:
Texas Equipment Rentals

Warranty Facility Address:
6380 Randolph Blvd SAN ANTONIO TX 78233

Delivery will be made within 30 calendar days after issuance of purchase order.

Production cut-off date: NONE

Indicate the last day that the City can place order under this contract without missing the production cut off date;
NONE

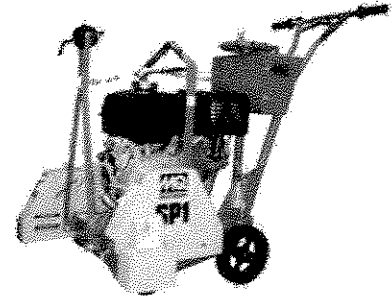
Bid prices shall remain firm for all orders placed prior to cut off date. In the event that City does not award a contract prior to production cut off date, can bidder prove bid items, at the bid price submitted, after the production cut off date:
Y X or N _____

Street Pro Slab Saws


Related Products

SPIE16AGo Back**SP118**

18 in. Blade Guard, Push, Honda GX390 Gasoline Engine
 Multiquip's SP1 Series Saws are simple, highly durable, and deliver trusted performance on the job site. They are engineered for operators from DIY to professional that demand quality, ease of operation and accurate sawing.



- Rugged, proven Frame design
- Superb tracking provides precise cuts
- Industrial Depth Feed Indicator/Controller System
- Powered by Honda GX390 Gasoline Engine
- Ergonomic Anti-Vib Control Handle Design
- 18" Blade capacity
- 6.5" cutting depth
- Industrial Blade Shaft Assembly
- Solid Lifting Bale
- Optional Water Tank available
- 270 lbs.

 Sign Up to see what your friends like.

Performance Data

Options

Unit Specifications

Power Source	11.7 HP Honda GX-390 Cyclone	
Blade Capacity	18 in	457 mm
Cutting Depth	6.5 in	165 mm
Front Wheel Bearing Mounted	4 in Dia. x 2 in Wide 102 x 51 mm	
Rear Wheel Bearing Mounted	8 in Dia. x 2 in Wide 203 x 51 mm	

Notice: Features and equipment specifications are subject to change without notice.

Visit our [Service & Support Center](#) for:

- **Documentation**
- [Operation and Parts Manuals](#)

20" Concrete Saw

Item	Descriptions	Quantity
3	Concrete/Pavement Saw	1 each

Price Each: \$ \$ 2713.⁰⁰

Total: \$ \$ 2713.⁰⁰

Year, Make & Model Offered:

2015 Multiquip SP213 H20A w/ water kit 20" concrete saw

Specific Make & Model of engine offered (include HP):

Honda GX390 11.7 HP

Warranty:

1 year parts / labor

Warranty Service Provider Name:

Tejas Equipment Rentals

Warranty Facility Address:

6380 Randolph Blvd SAN Antonio TX 78237

Delivery will be made within 30 calendar days after issuance of purchase order.

Production cut-off date: NONE

Indicate the last day that the City can place order under this contract without missing the production cut off date;

NONE

Bid prices shall remain firm for all orders placed prior to cut off date. In the event that City does not award a contract prior to production cut off date, can bidder prove bid items, at the bid price submitted, after the production cut off date:

Y X or N _____

Street Pro Slab Saws

Related Products

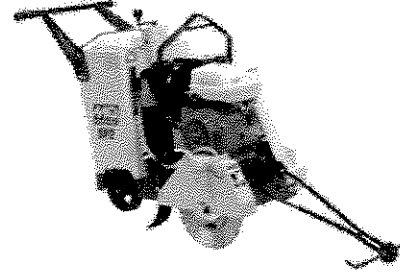
SP2S13H20ASP2S20H

Go Back

SP213H20A

20 in. Blade Guard, Push, Honda GX390 Gasoline Engine
SP213H20A

For tougher cutting jobs choose Multiquip's SP2 Street Pro Slab Saws.



- Rugged Frame Design
- Industrial Blade Shaft Assembly
- Built-in Water Tank for dust control
- 20 inch Blade Guard
- Honda GX390 Gasoline Engine w/Cyclone Air
- Adjustable Handle Bar with cushion grips
- Cutting depth 8 inches
- Liftng Bale
- 280 lbs.

 One person likes this. Sign Up to see what your friends like.

Performance Data

Options

Unit Specifications

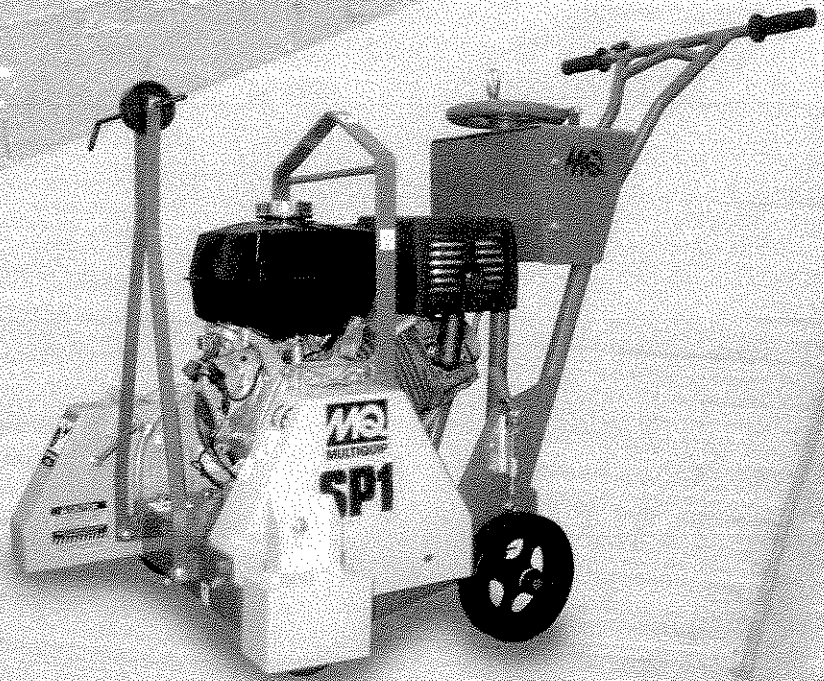
Power Source	11.7 HP GX390 Honda Cyclone Engine	
Blade Capacity	20 in	508 mm
Cutting Depth	7.5 in	190 mm
Front Wheel Bearing Mounted	5 in Dia. x 2 in Wide 127 x 51 mm	
Rear Wheel Bearing Mounted	8 in Dia. x 2 in Wide 203 x 51 mm	

Dimensions & Weights

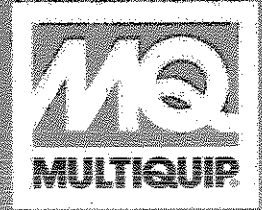
Overall Length	72 in	1829 mm
Overall Width	23.75 in	603 mm
Overall Height	36.25 in	921 mm
Operating Weight	280 lb	127 kg

Notice: Features and equipment specifications are subject to change without notice.

STREET PRO SAWS



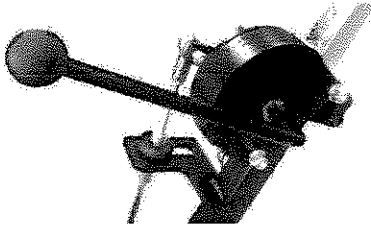
Precision cutting performance
on Concrete and Asphalt



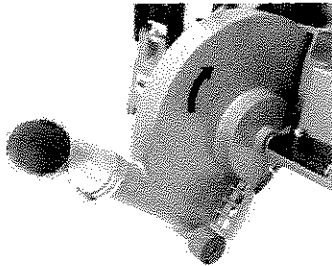
The SP1G is the ideal 'green concrete' control joint flat saw. It is a lightweight, very compact diamond saw specifically engineered to provide precision blade tracking, accurate raise/lower operations, positive sawing depth control and excellent dust evacuation.

KEY FEATURES

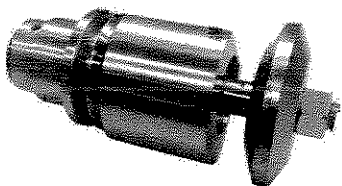
Single-throw raise/lower assembly with integrated depth indicator and positive-locking depth stop for accurate in-and-out of cut control.



Unique blade guard design ensures safe blade coverage plus provides the dynamic directional point for cutting products so they can be controlled and removed.



Precision blade control is supported by a CNC machined, double sealed blade shaft bearing assembly made from 12L14 high tensile strength steel that is zinc plated.

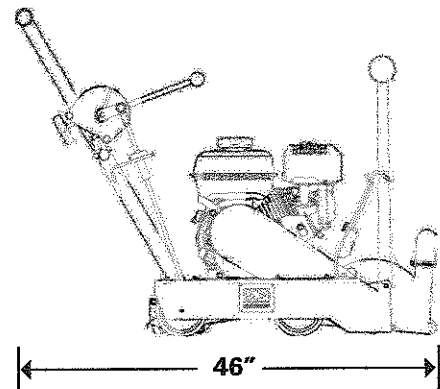
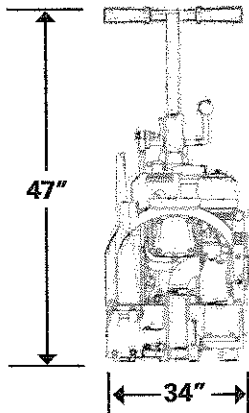


SP1G



A premium 'Green Concrete' diamond blade (10PSA) is provided with the SP1G.

- Die-cast aluminum frame for strength and resistance to flexing to ensure support to true tracking and sawing performance.
- Adjustable telescopic handlebar assembly is designed with a unique anti-vibration system for operator comfort.
- Powerful HONDA GX200 gasoline engine with cyclone air filtration for trusted performance.
- Rigid pointer assembly to assist in accurate saw control and tracking.



The **SP1E16A** is a simple operating electric push flat saw that provides demolition sawing in environments where gasoline or diesel powered units cannot operate.

KEY FEATURES

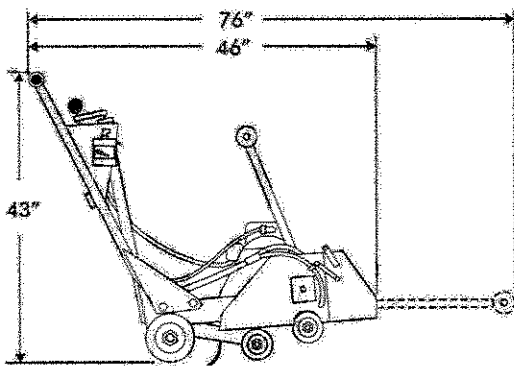
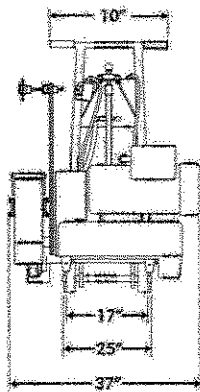
Rugged reinforced steel frame construction eliminates flex for precise sawing operations

Standard garden hose water plumbing system

Simple, adjustable blade depth control with positive locking

Powerful BALDOR® 5HP 230V single phase electric motor with industrial ON/OFF switch box enclosure

16" blade capacity provides 5½" of cut depth



SP1E16A

- For demolition sawing of cured concrete and asphalt.
- **Reinforced steel frame will not flex or bend with usage.**
- Industrial blade shaft bearing assembly for long service life.
- **Trusted electric motor - NEMA Class F insulation rating.**
- Rugged front and rear wheels supported by bearings to provide accurate tracking.
- **Simple raise/lower Acme thread with positive depth lock.**
- Saws straight to the edge of walls and columns.
- **Depth of Cut: 5 1/2" with 16" blade.**
- Compact - 235 lbs.
- **Easy maintenance design.**

SP1E16A - ELECTRIC



The SP118 represents the most versatile, rugged flat saw in its class. All steel construction; and with every design aspect of the unit geared toward harsh operating conditions and application demands, this is the ideal rental push saw and will compliment the fleet of professional flat sawing crews.

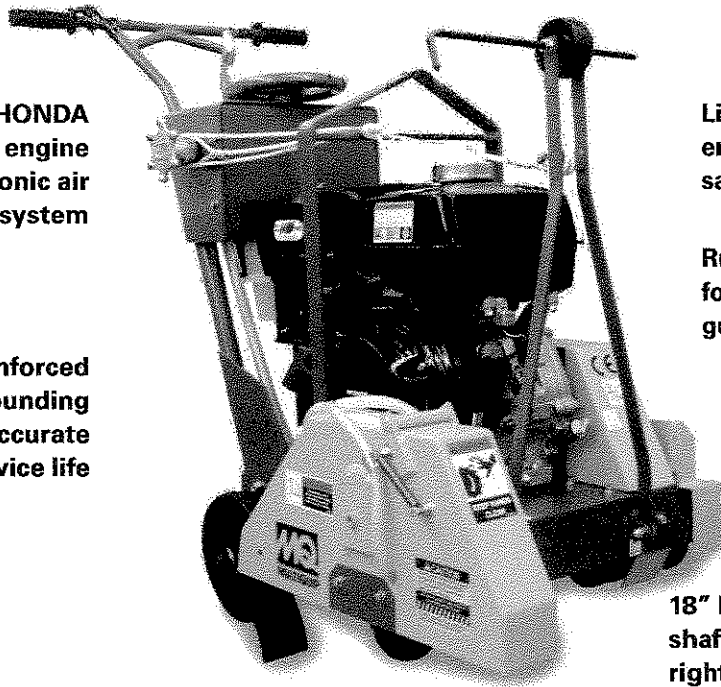
KEY FEATURES

Powerful HONDA GX390 gasoline engine with cyclonic air filtration system

Solid, reinforced steel frame and surrounding components ensure accurate sawing and long service life

Lifting bale provides engine protection and safe handling

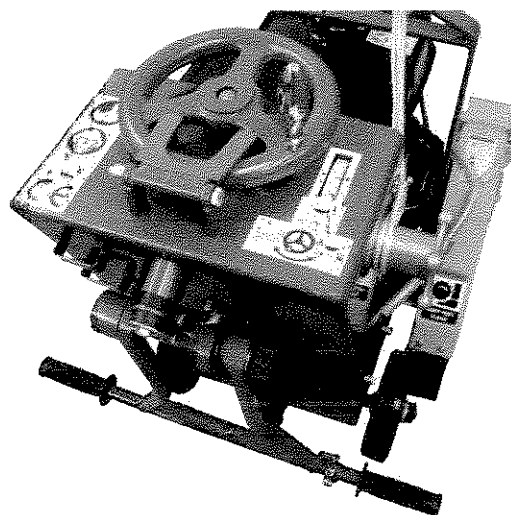
Rugged tracking pointer for precise running guide



18" blade guard, industrial blade shaft assembly, with right/left sawing options

Simple, rugged raise/lower wheel and positive depth locking system

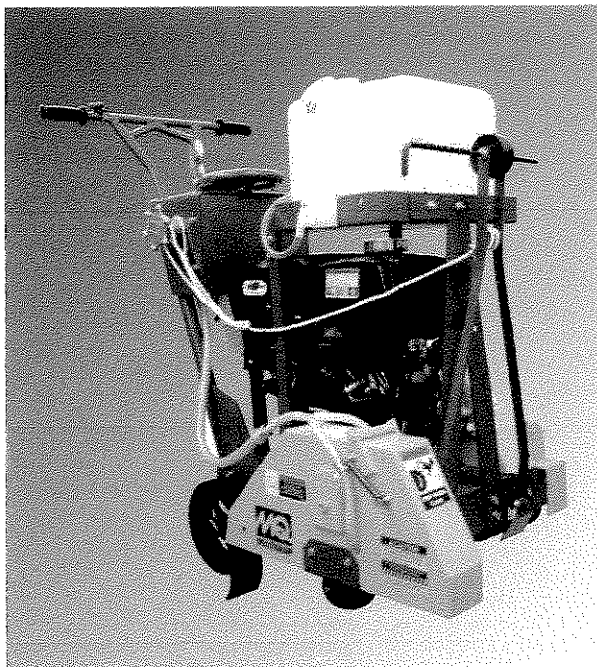
Height adjustable (unique) anti-vib handle bar assembly ensures that sawing harmonics are quieted for the operators comfort. Collapses for ease of transportation and storage



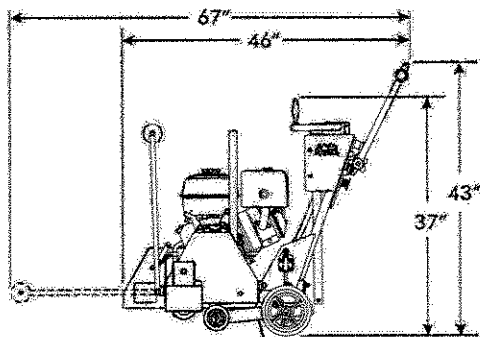
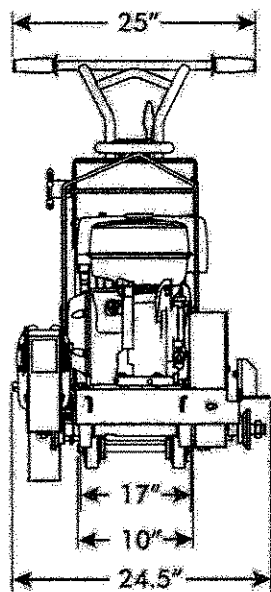
Accurate blade depth dial that can be easily adjusted for either 14", 16" or 18" diamond blade diameters



If required to saw 'DRY', and to help suppress the dust, the SP118 can be quickly outfitted with an optional 5 GAL. water tank assembly (SP1WK) that easily adjusts to the water plumbing system



SP118 - GASOLINE



SP118

- For demolition sawing of cured concrete and asphalt.
- **Reinforced steel frame will not flex or bend with usage.**
- Anti-Vib handle bar assembly for operator comfort.
- **Saw and depth of cut can easily adjust to 14", 16" and 18".**
- Industrial blade shaft bearing assembly for long service life.
- **Trusted HONDA GX390 gasoline engine w/Cyclone Air Filter.**
- Rugged front and rear wheels supported by bearings, and robust pointer to provide accurate tracking.
- **All steel raise/lower system with positive depth lock.**
- Saws straight to the edge of walls and columns.
- **Left and Right hand sawing.**
- Depth of Cut: 6 1/2" with 18" blade.
- **Easy maintenance design.**
- Compact - 270 lbs.



The Street PRO 2 Series (SP2) represents engineered strength, design simplicity, and trusted performance. These saws excel at tough jobs that require true tracking, and fast sawing performance. The SP2 models are offered in 'push' or self-propelled design.

KEY FEATURES

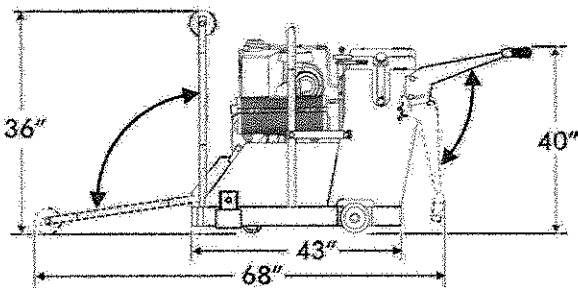
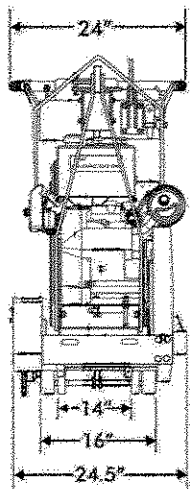
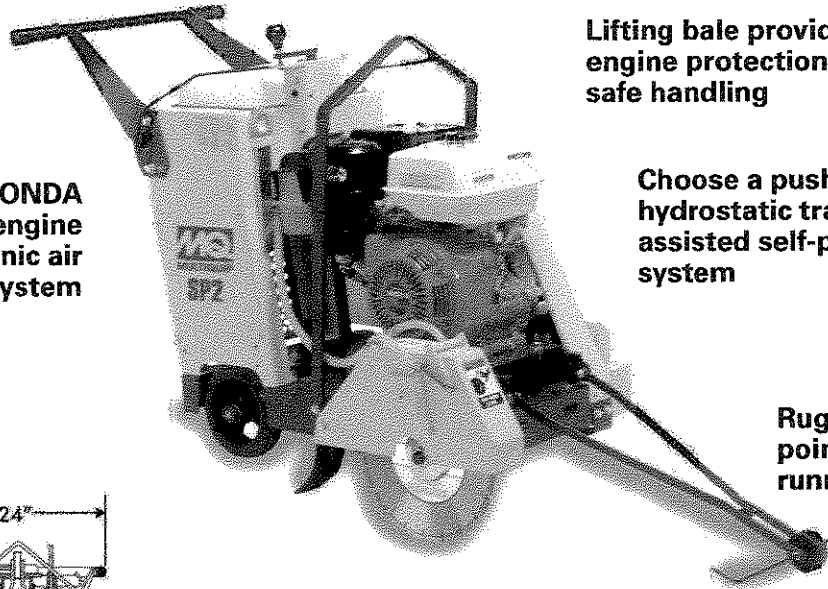
5 GAL built-in water tank for dust suppression

Powerful HONDA GX390 gasoline engine with cyclonic air filtration system

Lifting bale provides engine protection and safe handling

Choose a push or hydrostatic transmission assisted self-propulsion system

Rugged tracking pointer for precise running guide



SP213H20A - SP2513H20A

- For demolition sawing of cured concrete and asphalt.
- **Reinforced steel frame will not flex or bend with usage.**
- Adjustable handle bar for operator comfort.
- **Saw can easily adjust to 14", 16", 18", and 20".**
- Industrial blade shaft bearing assembly for long service life.
- **Trusted HONDA GX390 gasoline engine w/Cyclone Air Filter.**
- Rugged front and rear wheels supported by bearings, and robust pointer to provide accurate tracking.
- **All steel raise/lower system with positive depth lock.**
- Saws straight to the edge of walls and columns.
- **Left and Right hand sawing.**
- Depth of Cut: 8" with 20" blade.
- **Easy maintenance design.**



The **SP2S20H is a high performance road saw.** This model is designed for fast, accurate sawing applications with minimal service and maintenance requirements. The rugged all-steel construction, powerful HONDA engine, and hydrostatic drive system will provide years of trusted operations.

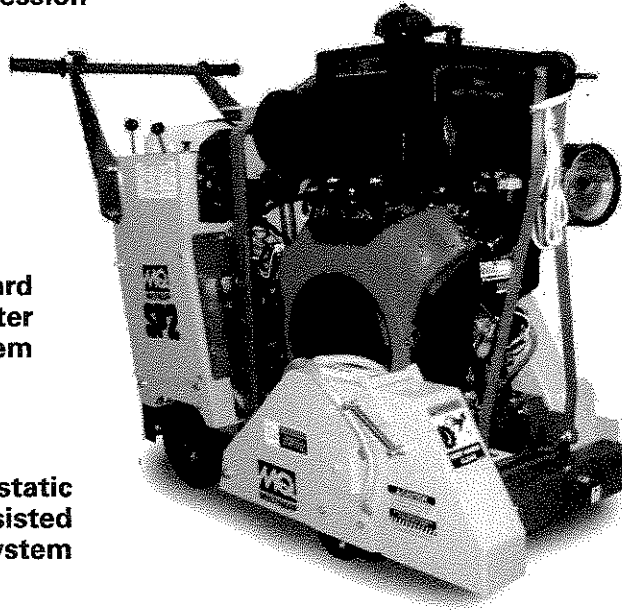
SP2 SERIES SAW

KEY FEATURES

5 GAL built-in water tank for dust suppression

Includes standard garden hose water plumbing system

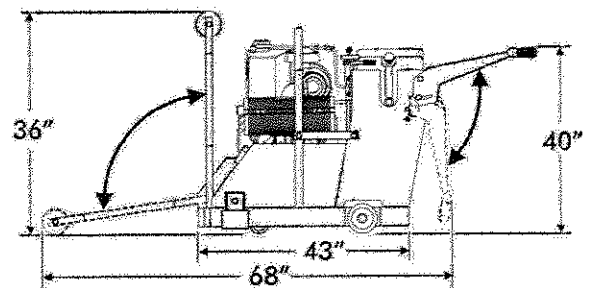
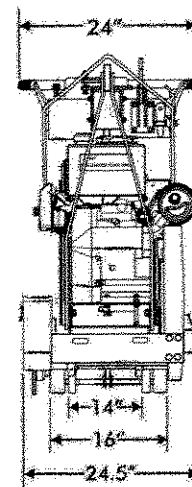
Simple hydrostatic transmission assisted self-propulsion system



Powerful HONDA GX630 gasoline engine with electric start

20" blade guard, industrial blade shaft assembly with right/left sawing options

- For demolition sawing of cured concrete and asphalt.
- **Reinforced steel frame will not flex or bend with usage.**
- Adjustable handle bar for operator comfort.
- **Saw can easily adjust to 14", 16", 18", and 20" diameter blades.**
- Industrial blade shaft bearing assembly for long service life.
- **Saws straight to the edge of walls and columns.**
- Rugged front and rear wheels supported by **bearings, and robust pointer to provide accurate tracking.**
- All steel raise/lower system with positive depth lock.
- **Left and Right hand sawing.**
- Trusted HONDA GX390 gasoline engine w/Cyclone Air Filter.
- **Depth of Cut: 8" with 20" blade.**
- Easy maintenance design.



SP2520H



Specifications

Model	Power*	Arbor Size in. (mm)	Blade Capacity in. (mm)	Cutting Depth in. (mm)	Cutting Position	Front Wheels	Rear Wheels	Weight lbs. (kgs)
SP1 Series Saws - Push Models								
SP1G	HONDA GX200 Gasoline w/Cyclone Air Filtration	5/8" (15.9)	10" (254)	3 1/4" (83)	Center Mounted Blade	5" x 1.5"	5" x 1.5"	108 (48.9)
SP118	HONDA GX390 Gasoline w/Cyclone Air Filtration	1" (25.4)	18" (457)	6.5" (165)	Left & Right Side	4" x 2"	8" x 2"	270 (122.7)
SP15E16	BALDOR 5HP 230V 1Ø Electric Motor	1" (25.4)	16" (406)	5.5" (140)	Left Side only	4" x 2"	6" x 2"	235 (106.8)
SP2 Series - Push Model								
SP213H20A	HONDA GX390 Gasoline w/Cyclone Air Filtration	1" (25.4)	20" (508)	7.5" (191)	Left & Right Side	4" x 2"	8" x 2"	280 (127)
SP2 Series - Self Propelled Models								
SP213H20A	HONDA GX390 Gasoline w/Cyclone Air Filtration	1" (25.4)	20" (508)	7.5" (191)	Left & Right Side	4" x 2"	8" x 2"	325 (179)
SP2S20H	HONDA GX630 Gasoline / Dual Element Canister Filtration	1" (25.4)	20" (508)	7.5" (191)	Left & Right Side	4" x 2"	8" x 2"	395 (179)

Saw Accessories

Model Saw	Description	Weight lbs. (kgs)
SP1WK	5 Gal. Water Tank Kit (for Model SP118 Only)	25 (11)

Saw Accessories - Diamond Blades

Model	Blade Dimensions	Arbor Size	Grade	For Material(s)	Type
10PSA	10" x .125"	5/8"-DM	Premium	Green Concrete/Asphalt	DRY/WET
14PWBA	14" x .125	1"	Premium Plus	Green Concrete/Asphalt	DRY/WET
16PWBA	16" x .125	1"	Premium Plus	Green Concrete/Asphalt	DRY/WET
18PWBA	18" x .125	1"	Premium Plus	Green Concrete/Asphalt	DRY/WET
20PWBA	20" x .125	1"	Premium Plus	Green Concrete/Asphalt	DRY/WET
10PSG	10" x .125"	1"	Premium Plus	Cured Concrete	DRY/WET
14PWBC	14" x .125	1"	Premium Plus	Cured Concrete	DRY/WET
16PWBC	16" x .125	1"	Premium Plus	Cured Concrete	DRY/WET
18PWBC	18" x .125	1"	Premium Plus	Cured Concrete	DRY/WET
20PWBC	20" x .125	1"	Premium Plus	Cured Concrete	DRY/WET

* Engine power ratings are calculated by the individual engine manufacturer and the rating method may vary among engine manufacturers. Multiquip Inc. and its subsidiary companies makes no claim, representation or warranty as to the power rating of the engine on this equipment and disclaims any responsibility or liability of any kind whatsoever with respect to the accuracy of the engine power rating. Users are advised to consult the engine manufacturer's owners manual and its website for specific information regarding the engine power rating.

Your Multiquip dealer is:

Connect with us on



Item	Descriptions	Quantity
5	6,000 lbs LPG Forklift	1 each
Price Each: \$ <u>26,174.⁹⁰</u>		
Total: \$ <u>26,174.⁹⁰</u>		
Year, Make & Model Offered:		
<u>2015 HELI CP4030 LPG powered</u>		
Specific Make & Model of engine offered (include HP):		
<u>GM- 3.0 Liter Vortec LPG Engine</u>		
Transmission Offered:		
<u>Power shift - single speed</u>		
Warranty:		
<u>One year / 2000 hr. PL - 2 year 4000 hour Powertrain.</u>		
Warranty Service Provider Name:		
<u>Tejas Equipment Rentals</u>		
Warranty Facility Address:		
<u>6380 Randolph Blvd. San Antonio TX 78233</u>		
Delivery will be made within <u>90</u> calendar days after issuance of purchase order.		
Production cut-off date: <u>NINE</u>		
Indicate the last day that the City can place order under this contract without missing the production cut off date;		
<u>NINE</u>		
Bid prices shall remain firm for all orders placed prior to cut off date. In the event that City does not award a contract prior to production cut off date, can bidder prove bid items, at the bid price submitted, after the production cut off date:		
Y <input checked="" type="checkbox"/> or N <input type="checkbox"/>		

**4,000-7,000 lbs
H Series
Pneumatic Tire Forklift**



HELI
LIFTING THE FUTURE

Top 10 Forklift
Manufacturer In The World

**Class V
Pneumatic Tire Forklift 4,000-7,000 lbs**

Manufacturers Data and Design Characteristics					
				---	---
1	Model			CPCD20	CPCD25
2	Fuel type				
3	Base capacity	lbs		4000	5000
4	24" Load center	inch			
5	Max lift height with backrest	h4	inch	157.2	157.2
6	Standard fork height	h3	inch		
7	Overall lowered height	h1	inch	78.7	78.7
8	Free lift standard backrest height	h2	inch	6.6	6.6
9	Operator clearance	h7	inch		
10	Overall height	h6	inch	81.5	81.5
11	Overall length (without forks)	L2	inch	99.2	102.2
12	Front overhang	X	inch	18.9	18.9
13	Rear overhang	L4	inch	17.3	20.2
14	Wheel base	L5	inch	62.9	62.9
15	Tow pin height	h5	inch	11.4	11.4
16	Minimum ground clearance under mast	m1	inch	4.3	4.3
17	Overall width	B	inch	45.2	45.2
18	Lateral fork adjustment outside of fork (Max./Min.)	S	inch	39.3/8.7	39.3/8.7
19	Tread (front)	R	inch	38.1	38.1
20	Tread (rear)	P	inch	38.1	38.1
21	Outside turning radius	Wa	inch	85.4	88.1
22	Inside turning radius	V	inch	6.2	6.2
23	Minimum intersecting aisle	Ra	inch	86.6	89.7
24	Tilting angles (forward/backward)	α/β			
25	Fork dimension (a X b X c)		inch	42 X 3.93 X 1.77	42 X 3.93 X 1.77
26	Max. traveling speeds (with/without load)	mi/h		10.6/11.8	
27	Lifting speeds (with/without load)	ft/min		20.8/21.6	
28	Lowering speeds (with/without load)	ft/min		17.7/21.6	
29	Max. draw-bar pull (with/without load)	lbs		3690/2020	3640/1930
30	Max. negotiable gradient (with/without load)	%		23/20 25/20	20/17 21.5/17
31	Service weight	lbs		7312	8105
32	Axle loaded, front/rear	lbs		10546/1171	12251/1361
33	Axle loaded without, front/rear	lbs		2925/4387	3242/4863
34	Wheels number front/rear (x=driven)				
35	Type				P
36	Size (front)			7.00-12-12PR	
37	Size (rear)			6.00-9-10PR	
38	Service brake				Hydraul
39	Parking brake				Mechanik
40	Battery (voltage/capacity)	V/Ah			
41	Internal combustion engine model				Kubota V2403 (high power)
42	Internal combustion engine rated output	hp/rpm			47.5/2400
43	Internal combustion engine rated torque	lb.ft/rpm			114.2/1600
44	Internal combustion engine displacement	L			148/2.434
45	Gas/Diesel engine fuel tank capacity	L			
46	Transmission number of speed fwd/bwd type				1-1Powe



4,000-7,000 lbs
H Series
Pneumatic Tire Forklift

STANDARD EQUIPMENT

Hour meter	130 inch standard 2-stage mast
Horn	Rear combo lights
Oil pressure alarm	Back-up alarm
Three-spool control valve	Adjustable steering column
Power steering	Hydraulic oil filter
Rubber pedal pads	Coolant overflow tank
Load backrest	Oil gauge
Rear view mirror	Battery-charge indicator
Front combo lights	Wide-view mast
Complete tool kit	High air intake
Transmission oil filter	Tow pin
Spark arresting muffler	Standard semi-suspension seat
Water temperature meter	

OPTIONS

Cab	User-specified color
Amber strobe light	Steel rub rails with fenders
Vertical exhaust	Dual drive tires
Air pre-cleaner	LPG and dual-fuel system
Full suspension seat	2-Stage full free lift mast
Cab heater	3-Stage full free lift mast
Solid pneumatic tire	
Windshield	
Rear work light	
Air conditioning	
Tilt cylinder boot	
Steering cylinder boot	

**Industrial
Forklifts**

4105 Globeville Road
Denver, CO 80216
888-NEW-HELI(639-4354)
303-297-3426 Fax
www.IndustrialForklifts.com

*The specifications are based on the information available at the time of printing and may be changed without notice.

Item	Descriptions	Quantity
7	26' Electrical Scissor Lift	1 each

Price Each: \$ 15,260⁹⁴

Total: \$ 15,260⁹⁴

Year, Make & Model Offered:
2016 SkyJack 3216

Specific Make & Model of engine offered (include HP):
ELECTRIC

Transmission Offered:
Electric

Warranty:
2 YEARS PARTS/LABOR

Warranty Service Provider Name:
TEXAS EQUIPMENT RENTALS

Warranty Facility Address:
6380 RANDOLPH BLVD SAN ANTONIO TX 78233

Delivery will be made within 30 calendar days after issuance of purchase order.

Production cut-off date: NONE

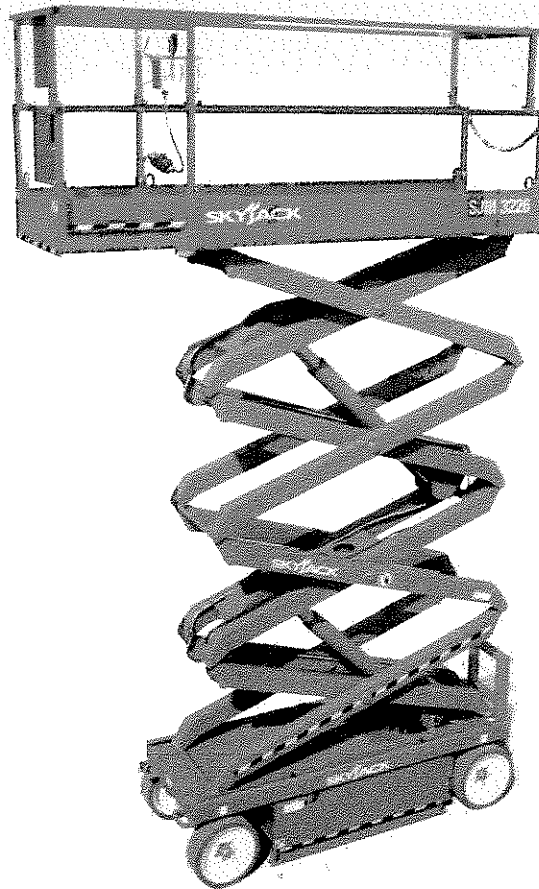
Indicate the last day that the City can place order under this contract without missing the production cut off date;
NONE

Bid prices shall remain firm for all orders placed prior to cut off date. In the event that City does not award a contract prior to production cut off date, can bidder prove bid items, at the bid price submitted, after the production cut off date:

Y X or N _____

SKYJACK

SJIII 3220/26 ELECTRIC SCISSOR LIFTS



STANDARD FEATURES

- Drivable at full height
- Variable speed, rear two wheel hydraulic drive
- Dual holding brakes
- Proportional controls for drive & lift functions
- 3' (0.91 m) Roll out extension deck
- 24V DC power source
- Low voltage battery protection
- Up to 30% Gradeability
- Solid rubber, non-marking tires
- Pothole protection system
- 110V AC outlet on platform with GFI
- 28 mph wind rating (12.5 m/s)
- Tilt alarm with drive & lift cut-out
- All motion audible alarm
- Lanyard attachment points
- Operator horn
- Hinged railing system (3226)
- Forklift pockets and tie down/lift lugs
- Relay based control system
- Color coded and numbered wiring system
- Telematics ready

ACCESSORIES AND OPTIONS

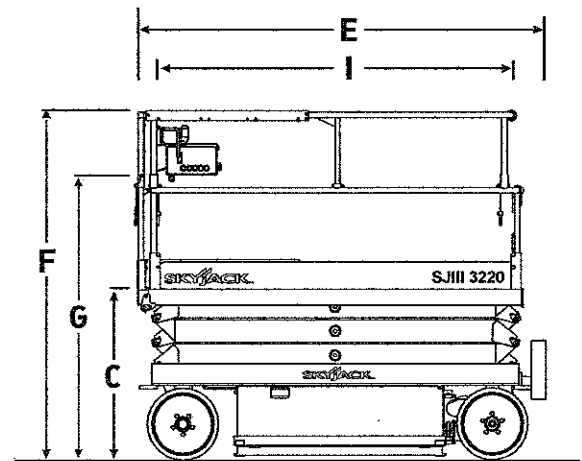
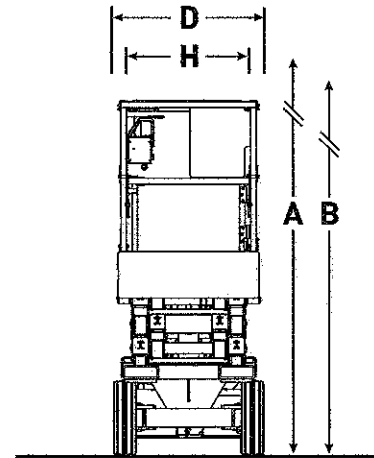
- Flashing light
- Dual flashing lights
- Extended control box cable
- Pipe rack (3220)
- Drywall carrier (3226)
- 6' (1.8 m) Powered ext. deck (3220)*
- *adds 280 lbs to unit weight and reduces overall capacity to 800 lbs
- 800W AC inverter
- 250 Ah batteries (cannot be combined with EE rating package)
- AGM Batteries
- EE rating package
- DC motor controller
- Hinged railing system (3220)
- Half height spring hinged gate
- Full height spring hinged gate*
- Non destructive testing
- Warranty Options (3 year or 5 year plans available)

* Not available with hinged railing system.

† Capacities, and machine weights may differ when options are added.

SJIII 3220/26 ELECTRIC SCISSOR LIFTS

Dimensions	SJIII 3220	SJIII 3226
A Work Height	26' (7.92 m)	32' (9.75 m)
B Raised Platform Height	20' (6.10 m)	26' (7.92 m)
C Lowered Platform Height	38" (0.97 m)	45" (1.14 m)
D Overall Width	32' (0.81 m)	32' (0.81 m)
E Overall Length	91.5" (2.32 m)	91.5" (2.32 m)
F Stowed Height (Rails Up)	77.5" (1.97 m)	84.7" (2.15 m)
G Stowed Height (Rails Down)	OPT 63.5" (1.61 m)	70.6" (1.79 m)
H Platform Width (Inside Dimension)	28" (0.71 m)	28" (0.71 m)
I Platform Length (Inside Dimension)	84" (2.13 m)	84" (2.13 m)
Specifications	SJIII 3220	SJIII 3226
Extension Deck (Roll Out)	3' (0.91 m)	3' (0.91 m)
Ground Clearance (Stowed)	3.5" (8.89 cm)	3.5" (8.89 cm)
Ground Clearance (Raised)	0.75" (1.90 cm)	0.75" (1.90 cm)
Wheelbase	69" (1.75 m)	69" (1.75 m)
Weight	3,510 lbs (1,592 kg)	4,135 lbs (1,876 kg)
Gradeability	30%	30%
Turning Radius (Inside)	50" (1.27 m)	50" (1.27 m)
Turning Radius (Outside)	108" (2.74 m)	108" (2.74 m)
Lift Time (With Rated Load)	33 sec	56 sec
Lower time (With Rated Load)	29 sec	42 sec
Drive Speed (Stowed)	2 mph (3.2 km/h)	2.4 mph (3.9 km/h)
Drive Speed (Raised)	0.7 mph (1.1 km/h)	0.7 mph (1.1 km/h)
Maximum Drive Height	Full Height	Full Height
Capacity (Overall)	900 lbs (408 kg)	500 lbs (227 kg)
Distributed Capacity (Main Platform)	600 lbs (159 kg)	250 lbs (113 kg)
Distributed Capacity (Extension Deck)	300 lbs (136 kg)	250 lbs (113 kg)
Local Floor Load (With Rated Load)	130 psi (897 kPa)	130 psi (897 kPa)
Overall Floor Load (With Rated Load)	245 psf (12 kPa)	235 psf (12 kPa)
Maximum # of Persons	2	2
Wind Rating	28 mph (12.5 m/s)	28 mph (12.5 m/s)
Tire Type	Solid, N/M	Solid, N/M
Tire Size	16 x 5 x 12	16 x 5 x 12



Skyjack Head Office
 55 Campbell Rd. Guelph, ON Canada N1H 1B9
 Sales inquiries: 1-877-755-4387 (1-877-S.J.LIFTS)
 Main Switchboard: 1-800-255-2738
 Phone: 519-837-0888
 Fax: 519-837-8104
 Email: skyjack@skyjack.com
 www.skyjack.com

This brochure is for illustrative purpose only and based on the latest information at the time of printing. Skyjack Inc. reserves the right to make changes at any time, without notice, to specifications, standard and optional equipment. Consult the Operating Maintenance and Parts Manuals for proper procedures. Work platforms have been tested to comply with ANSI and CSA standards as interpreted by Skyjack Inc.

